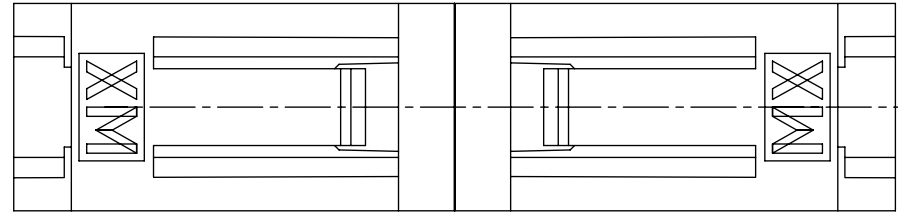
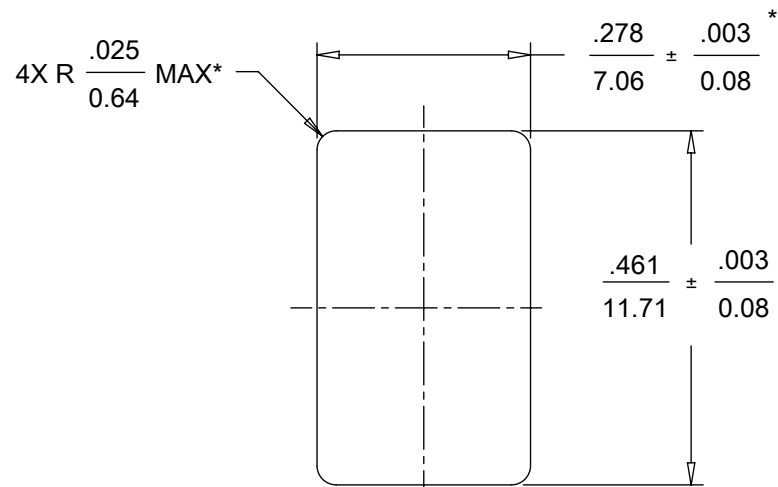
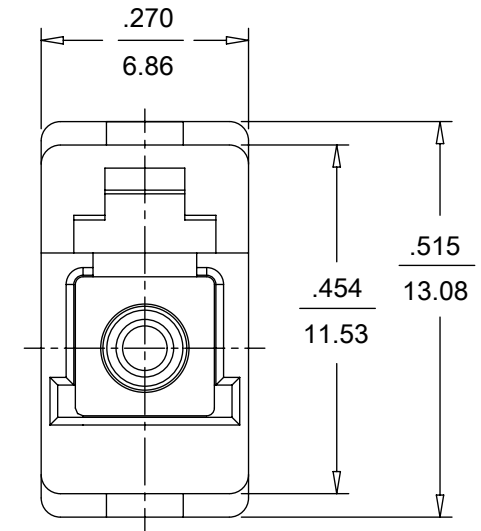
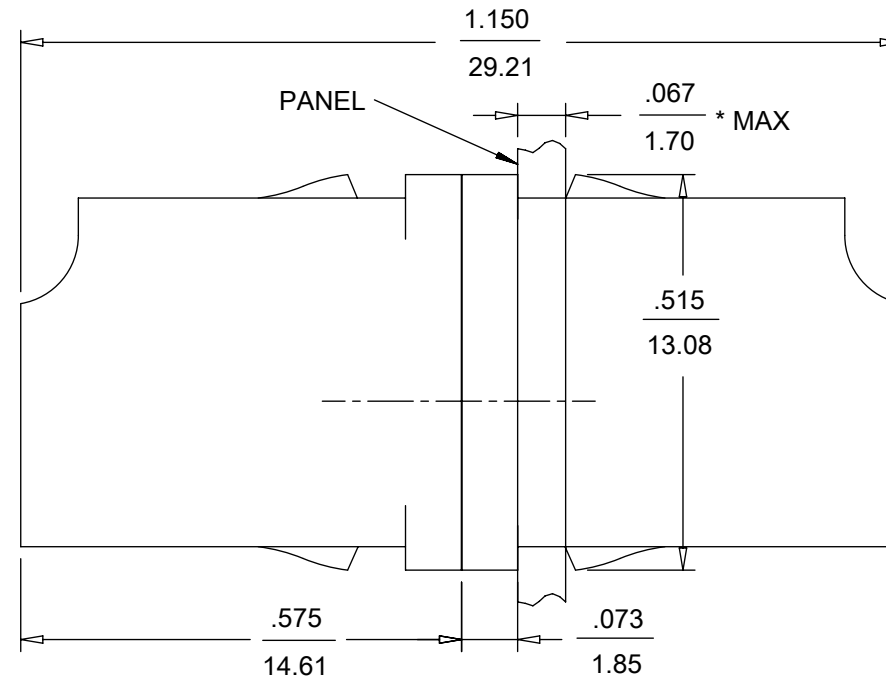


	10	9	8	7	6	5	4	3	2	1
F	ADAPTER P/N	COLOR	SPLIT SLEEVE MATERIAL							
	106124-1100	BLUE	ZIRCONIA - ZrO ₂							
	106124-0110	BEIGE								
	106124-1110	BEIGE								
E	106124-1130	BLACK								



(DUST CAPS ARE NOT SHOWN)



RECOMMENDED PANEL CUTOUT
 PANEL THICKNESS $\frac{.067}{1.70}$ MAX.

NOTES:
 1. ALL DIMENSIONS ARE FOR REFERENCE ONLY, EXCEPT WHEN MARKED WITH (*).

THIS DRAWING CONTAINS INFORMATION THAT IS PROPRIETARY TO MOLEX ELECTRONIC TECHNOLOGIES, LLC AND SHOULD NOT BE USED WITHOUT WRITTEN PERMISSION									
DIMENSION UNITS	SCALE	CURRENT REV DESC: REMOVED OBSOLETE PART NUMBER AS PER PCN#512063.							
INCH/MM	1:1	<div style="text-align: center;">molex</div> LC ADAPTER							
GENERAL TOLERANCES (UNLESS SPECIFIED)									
ANGULAR TOL	± 0.5°								
4 PLACES	±								
3 PLACES	±								
2 PLACES	±								
1 PLACE	±	EC NO: 713759	2022/08/09	PRODUCT CUSTOMER DRAWING DOCUMENT NUMBER: SD-106124-X1X0 DOC TYPE: PSD DOC PART: 001 REVISION: C1					
0 PLACES	±	DRWN: SUGEEB	2022/10/07						
		CHKD: GB	2022/10/07						
DRAFT WHERE APPLICABLE MUST REMAIN WITHIN DIMENSIONS		THIRD ANGLE PROJECTION	DRAWING	SERIES	MATERIAL NUMBER	CUSTOMER	SHEET NUMBER		
			B-SIZE	106124	SEE TABLE	GENERAL MARKET	1 OF 1		