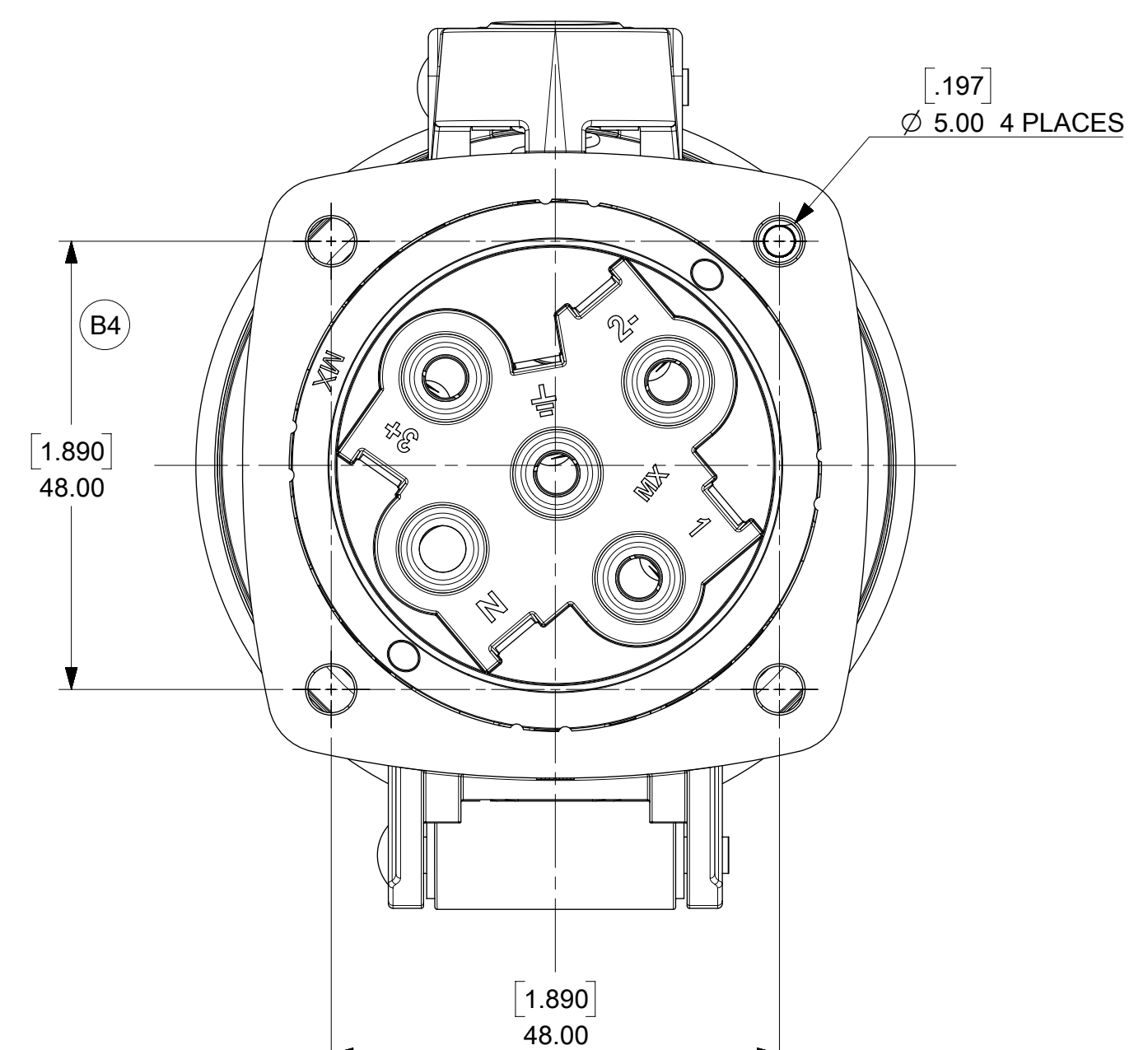
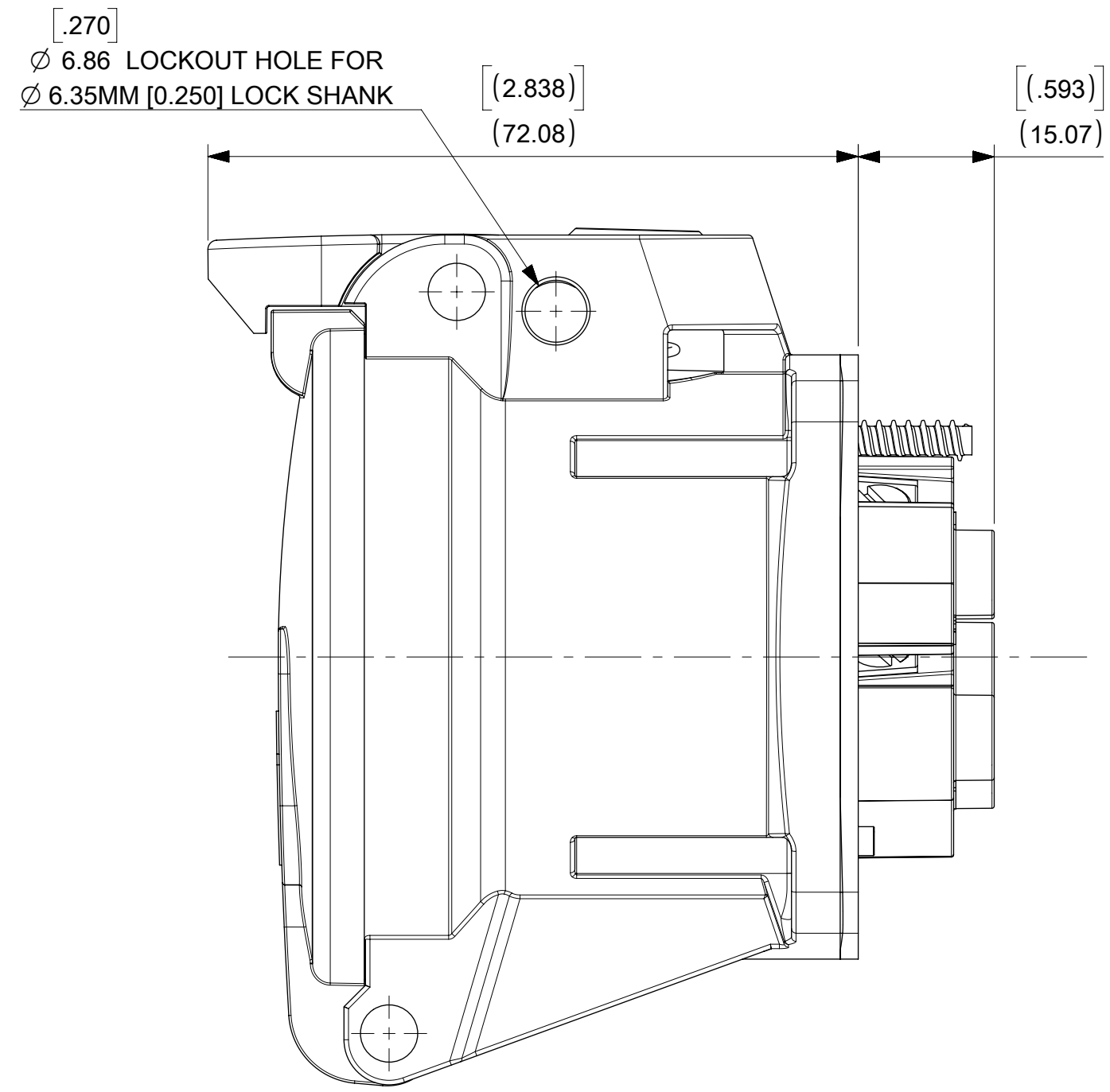
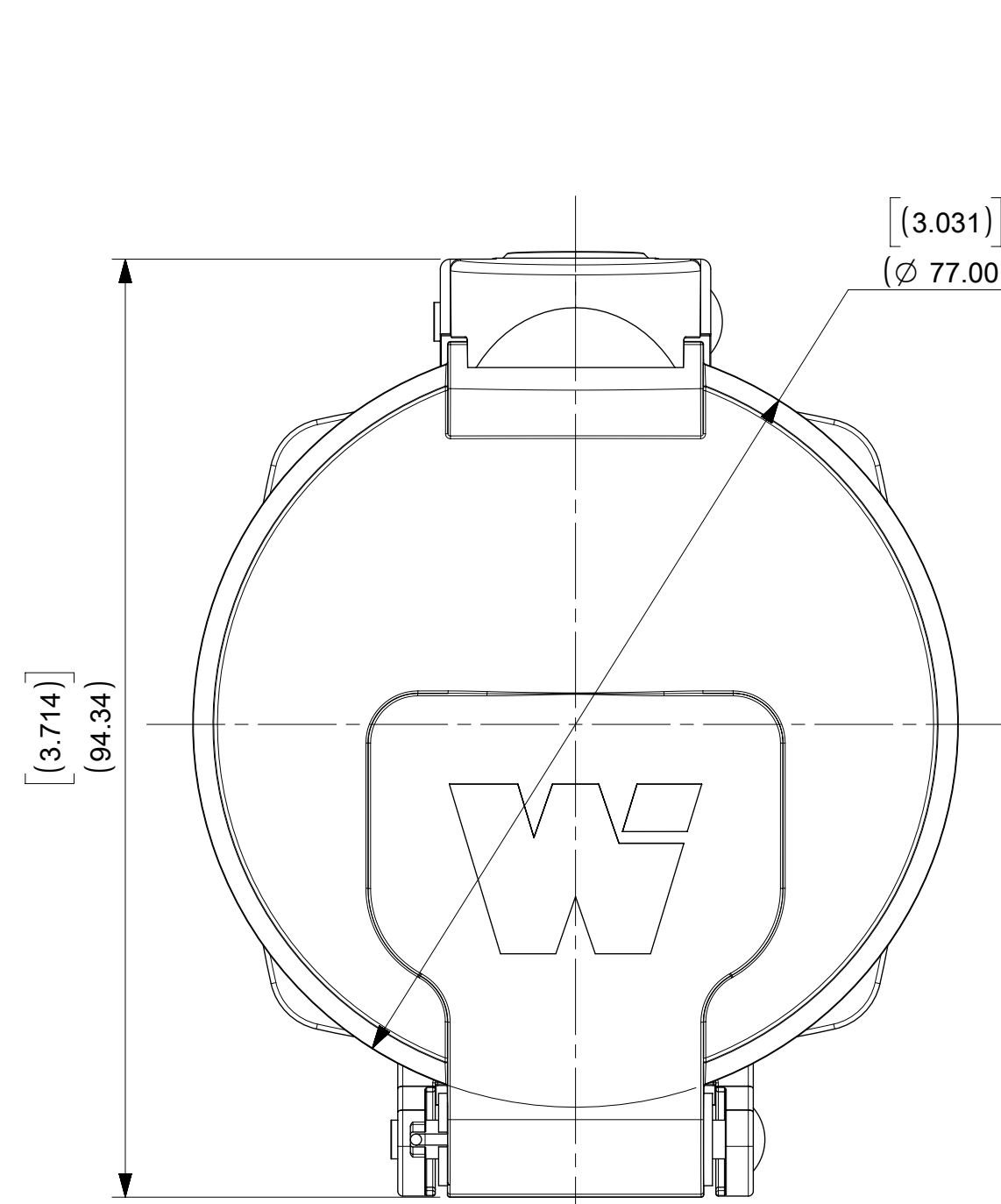
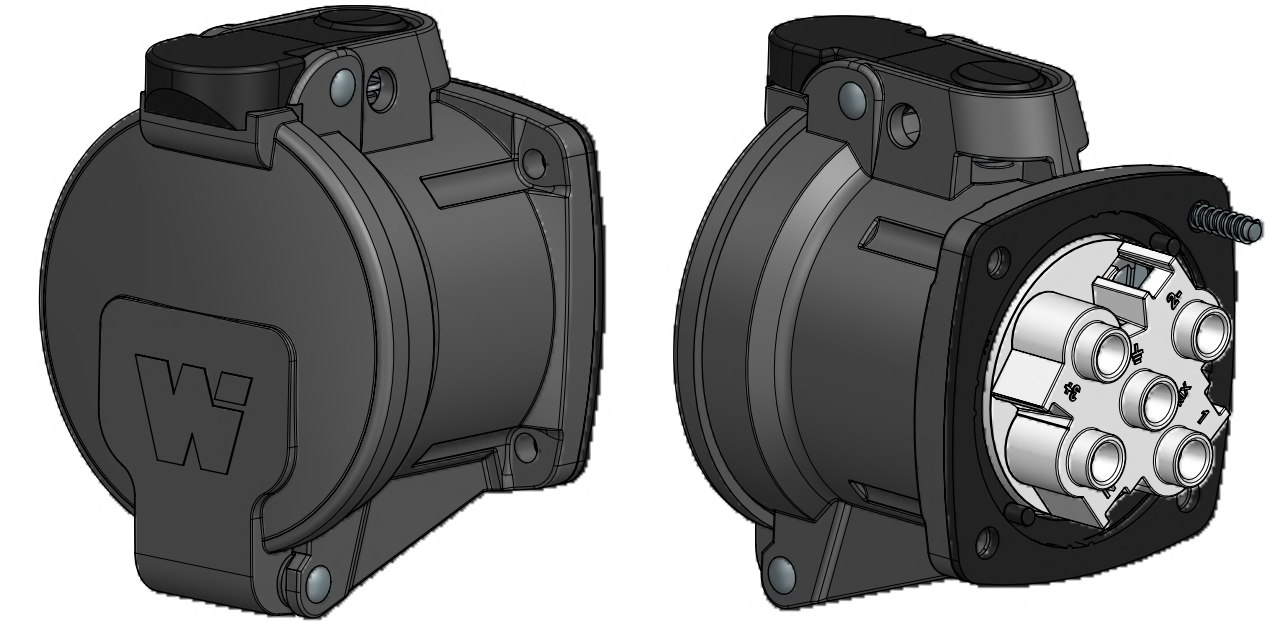
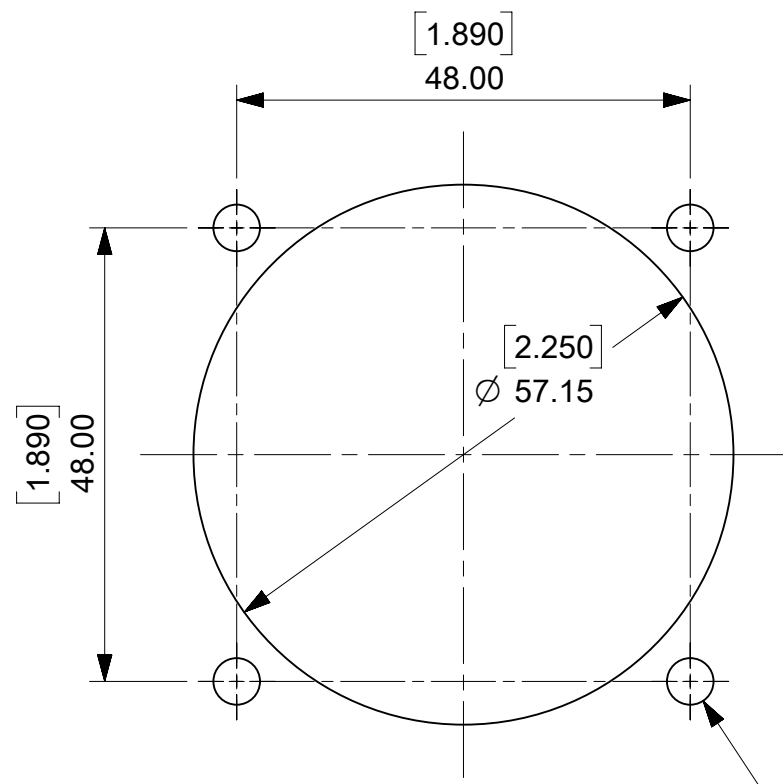


MATERIAL NUMBER	ENGINEERING NUMBER	DESCRIPTION	INSULATOR KEYING POSITION	HORSEPOWER RATING
1122190001	ARC30FA01	ARC 30A F 125VAC 1P+N+G	7	1 HP
1122190002	ARC30FB02	ARC 30A F 250VAC 2P+G		3 HP
1122190003	ARC30FB03	ARC 30A F 250VAC 3P+G		5 HP
1122190004	ARC30FAB04	ARC 30A F 125/250VAC 2P+N+G	16	NA
1122190005	ARC30FC02	ARC 30A F 208VAC 2P+G		NA
1122190006	ARC30FC03	ARC 30A F 208VAC 3P+G		5 HP
1122190007	ARC30FAC05	ARC 30A F 120/208VAC 3P+N+G	4	NA
1122190008	ARC30FD01	ARC 30A F 277VAC 1P+N+G		NA
1122190009	ARC30FE02	ARC 30A F 480VAC 2P+G		NA
1122190010	ARC30FE03	ARC 30A F 480VAC 3P+G	14	10 HP
1122190011	ARC30FDE05	ARC 30A F 277/480VAC 3P+N+G		NA
1122190012	ARC30FF02	ARC 30A F 600VAC 2P+G		NA
1122190013	ARC30FF03	ARC 30A F 600VAC 3P+G	14	NA
1122190014	ARC30FGF05	ARC 30A F 347/600VAC 3P+N+G		NA



ARC30FE03 SHOWN

NOTES:

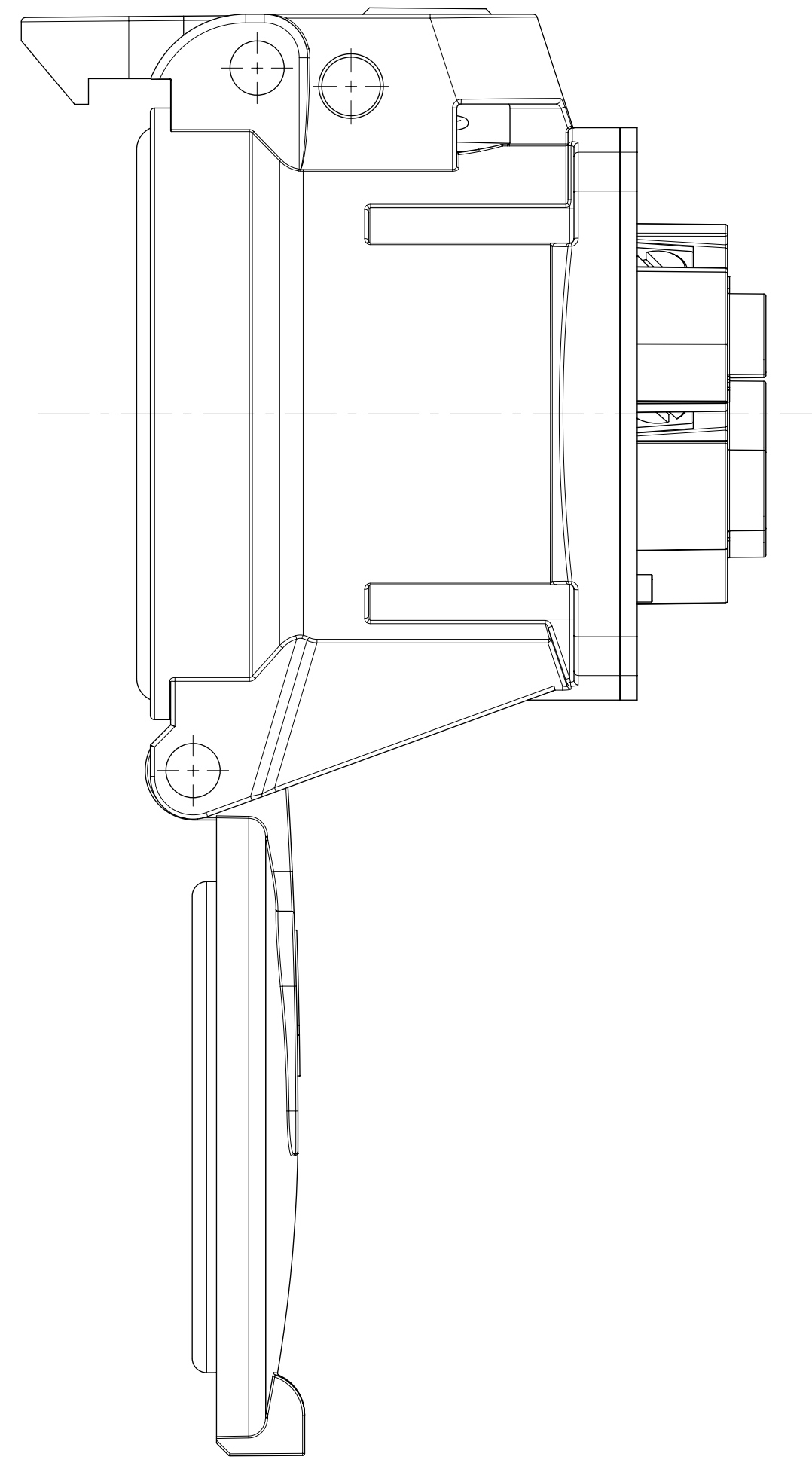
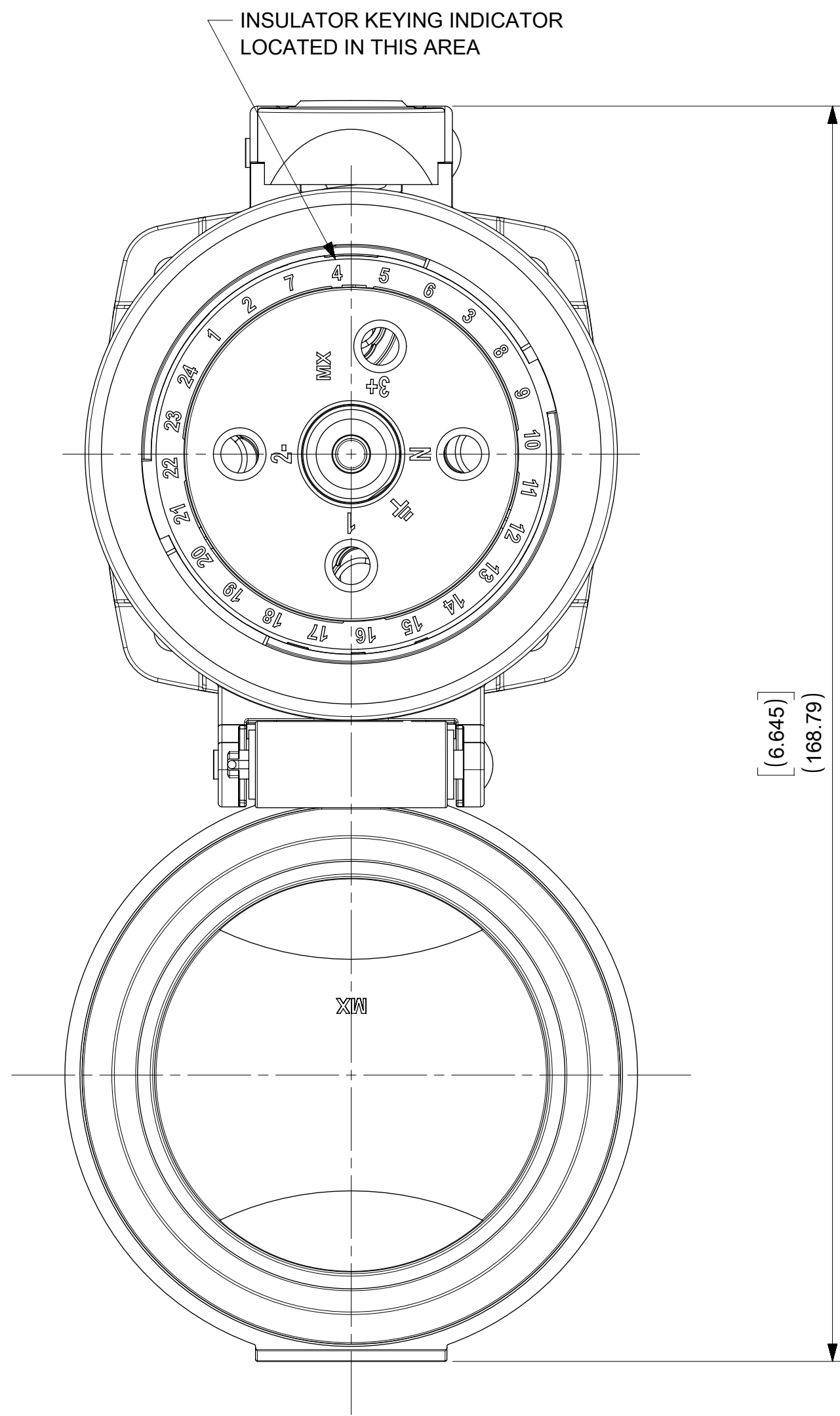
MATERIALS:
HOUSINGS AND INSULATORS: GLASS FILLED PBT
CONTACTS: COPPER ALLOY WITH A SILVER NICKEL TIP, SILVER PLATED
MOUNTING AND INTERFACE GASKETS: SILICONE

RATINGS:
CURRENT: 30 AMPS
VOLTAGE AND HORSEPOWER: SEE TABLE
OPERATING TEMPERATURE: -25°C (-13°F) TO 60°C (140°F) (WITH 30°C MAX RISE ABOVE AMBIENT) (B4)
ENVIRONMENTAL: TYPE 4X, IP69K
WIRING CAPACITY: 12 AWG MIN. TO 8 AWG MAX.
TORQUE TERMINAL SCREWS TO 1.7 Nm (15 in-lbs)
AGENCY: UL LISTING PENDING


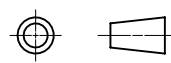
SWITCH RATED RECEPTACLE/CONNECTOR
BRANCH CIRCUIT DISCONNECT SWITCH
MOTOR CIRCUIT DISCONNECT SWITCH IF HP RATED

THIS DRAWING REPLACES SD-112219-001.

FUNCTIONAL SYMBOLS	THIS DRAWING CONTAINS INFORMATION THAT IS PROPRIETARY TO MOLEX ELECTRONIC TECHNOLOGIES, LLC AND SHOULD NOT BE USED WITHOUT WRITTEN PERMISSION		CURRENT REV DESC: OPERATING TEMPERATURE -45°C (-40°F) TO 60°C (140°F) CHANGED TO -25°C (-13°F) TO 60°C (140°F) (WITH 30°C MAX RISE ABOVE AMBIENT); ADDED C/LS AND REAPPLIED SOME DIM'S; ADDED "4X" TO Ø4.93.																					
	$\frac{F}{A} = 0$ $\frac{F}{C} = 0$ $\frac{F}{P} = 0$	DIMENSION UNITS: INCH SCALE: 1.5:1	GENERAL TOLERANCES (UNLESS SPECIFIED) <table border="1"> <thead> <tr> <th></th> <th>MM</th> <th>INCH</th> </tr> </thead> <tbody> <tr> <td>4 PLACES</td> <td>±</td> <td>±</td> </tr> <tr> <td>3 PLACES</td> <td>±</td> <td>±</td> </tr> <tr> <td>2 PLACES</td> <td>±</td> <td>±</td> </tr> <tr> <td>1 PLACE</td> <td>±</td> <td>±</td> </tr> <tr> <td>0 PLACES</td> <td>±</td> <td>±</td> </tr> </tbody> </table>				MM	INCH	4 PLACES	±	±	3 PLACES	±	±	2 PLACES	±	±	1 PLACE	±	±	0 PLACES	±	±	EC NO: 648298 DRWN: MBRZOWSKI CHK'D: WLEUNG APPR: JFMURPHY
	MM	INCH																						
4 PLACES	±	±																						
3 PLACES	±	±																						
2 PLACES	±	±																						
1 PLACE	±	±																						
0 PLACES	±	±																						
DIVISIONAL SYMBOLS	DRAFT WHERE APPLICABLE MUST REMAIN WITHIN DIMENSIONS		THIRD ANGLE PROJECTION	DRAWING: C-SIZE SERIES: 112219	PRODUCT CUSTOMER DRAWING DOCUMENT NUMBER: 1122190010 DOC TYPE: PSD DOC PART: 000 REVISION: B4																			
DOCUMENT STATUS: P1 RELEASE DATE: 2021/04/12 14:38:27		MATERIAL NUMBER: 1122190010 CUSTOMER: GENERAL MARKET		SHEET NUMBER: 1 OF 2																				



ARC30FE03 SHOWN

FUNCTIONAL SYMBOLS	THIS DRAWING CONTAINS INFORMATION THAT IS PROPRIETARY TO MOLEX ELECTRONIC TECHNOLOGIES, LLC AND SHOULD NOT BE USED WITHOUT WRITTEN PERMISSION										
	FA = 0	DIMENSION UNITS	SCALE	CURRENT REV DESC: OPERATING TEMPERATURE -45°C (-40°F) TO 60°C (140°F) CHANGED TO -25°C (-13°F) TO 60°C (140°F) (WITH 30°C MAX RISE ABOVE AMBIENT); ADDED C/LS AND REAPPLIED SOME DIM'S; ADDED "4X" TO Ø4.93.							 ARC 30A F 480VAC 3P+G
FC = 0	GENERAL TOLERANCES (UNLESS SPECIFIED)			EC NO: 648298							
FP = 0	4 PLACES	±	±	DRWN: MBRZOWSKI 2020/11/02							
DIVISIONAL SYMBOLS	3 PLACES	±	±	CHK'D: WLEUNG 2020/11/12							
	2 PLACES	±	±	APPR: JFMURPHY 2021/04/12							
	1 PLACE	±	±	INITIAL REVISION:							
	0 PLACES	±	±	DRWN: DRAWN BY 0099/99/99							
	ANGULAR TOL	±	°	APPR: APPR BY 0099/99/99							
DRAFT WHERE APPLICABLE MUST REMAIN WITHIN DIMENSIONS			THIRD ANGLE PROJECTION	DRAWING	SERIES	MATERIAL NUMBER	CUSTOMER	SHEET NUMBER			
				C-SIZE	112219	1122190010	GENERAL MARKET	PSD	000	B4	