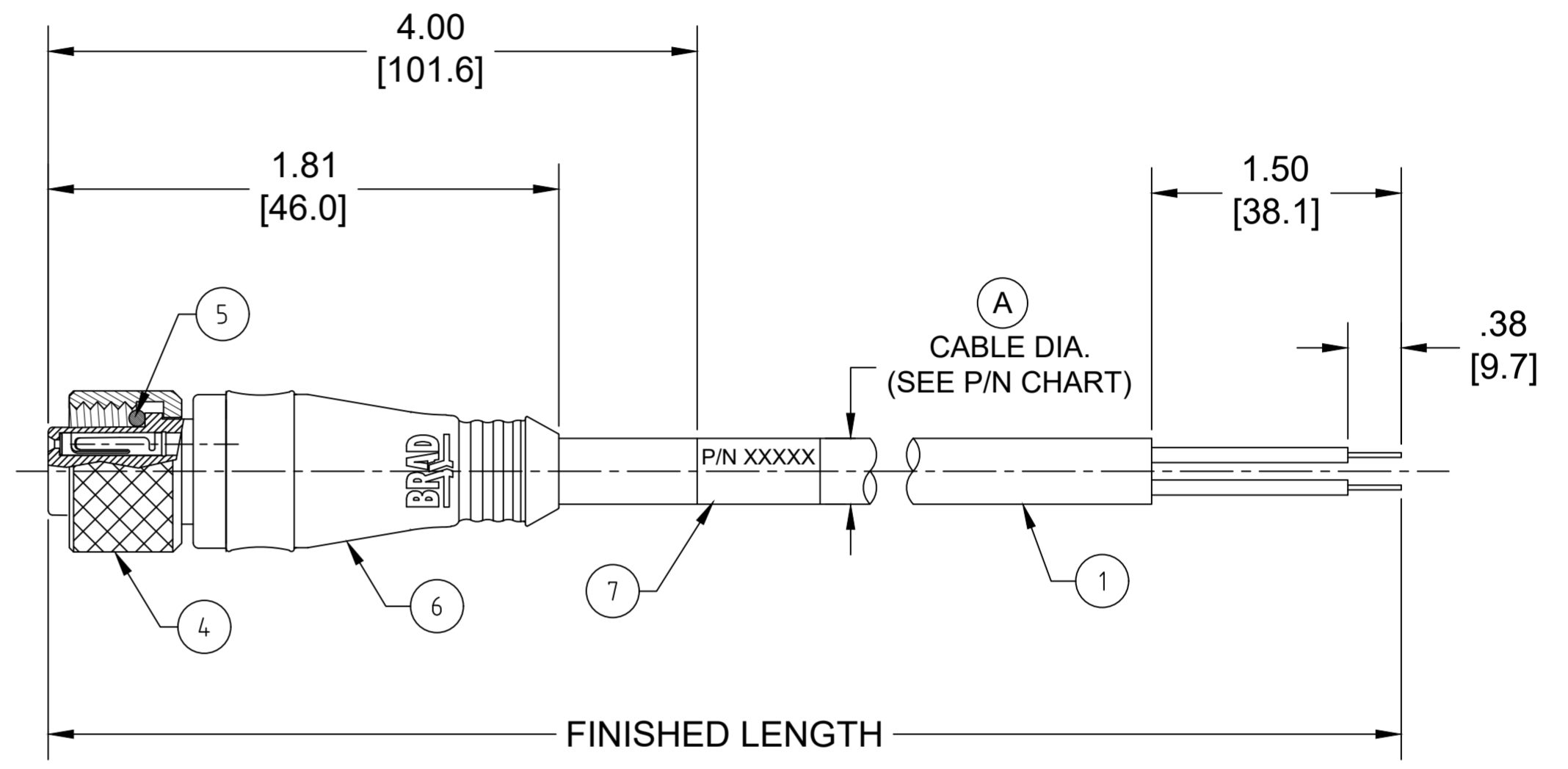
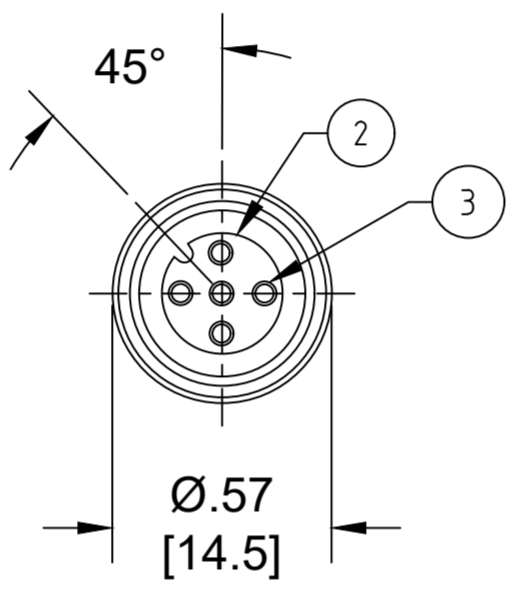


| PART NO | ENGINEERING NO. | FINISHED LENGTH | POLES | CABLE DIA. |
|------------|-----------------|------------------|-------|------------|
| 1200650252 | 804000A09M010 | 1M [3FT 3 IN] | 4 | .21 [5.3] |
| 1200652496 | 804000A09M500 | 50M [164FT] | | |
| 1200650470 | 805000A09M010 | 10M [32FT 10 IN] | 5 | .22 [5.6] |
| 1200650498 | 805000A09M300 | 30M [98FT 5 IN] | | |

- NOTES:**
- MATERIAL: AS NOTED
 - FINISH: AS NOTED
 - ELECTRICAL:
VOLTAGE: 250V
CURRENT: 4A
 - TEMP RATING: -20°TO +105°C
 - PROTECTION: IP67 (WHEN MATED)
 - COUPLING THREAD: M12X1
 - UL RECOGNIZED FILE: E152210
CSA CERTIFIED FILE: LR6837 (A)
 - ALL DIMENSIONS ARE FOR REFERENCE UNLESS TOLERANCED OR NOTED OTHERWISE



| ITEM | DESCRIPTION | MATERIAL | FINISH |
|------|-------------------|--------------|------------------|
| 7 | WRAP LABEL | VINYL | BLACK/YELLOW |
| 6 | OVERMOLD | PUR | YELLOW |
| 5 | O-RING | VITON | RED |
| 4 | COUPLING NUT | BRASS | NICKEL PLATED |
| 3 | CONTACT SOCKET | COPPER ALLOY | GOLD OVER NICKEL |
| 2 | FEMALE INSERT | PUR | BLACK |
| 1 | #22/3-5 AWG CABLE | PVC | YELLOW |

PART NUMBER LEGEND

804000A09M003

POLES (4 & 5) FINISHED LENGTH
 M005 = 0.5 METER
 M010 = 1 METER
 M100 = 10 METER

CABLE LENGTH TOLERANCES

| | |
|--------------------------|-------------------------|
| <.3M [1FT]: | +19mm-0 [+ .75in-0] |
| .3 - .9M [1 - 3FT]: | +44.5mm-0 [+1.75in-0] |
| .9 - 1.8M [3 - 6FT]: | +55.6mm-0 [+2.19in-0] |
| 1.8 - 3.7M [6 - 12FT]: | +88.9mm-0 [+3.50in-0] |
| 3.7 - 7.3M [12 - 24FT]: | +165.1mm-0 [+6.50in-0] |
| 7.3-14.6M [24 - 48FT]: | +317.5mm-0 [+12.50in-0] |
| 14.6 - 30.5M [48-100FT]: | +622.3mm-0 [+24.50in-0] |
| OVER 30M [100FT] | +2% OF FINISHED LENGTH |

| | | | | | | |
|--|---|---|---|------------------------|--|---|
| FUNCTIONAL SYMBOLS FA=0 EC=0 EP=0 DIVISIONAL SYMBOLS | DIMENSION UNITS INCH/MM | SCALE NTS | CURRENT REV DESC: REMOVED 3-POLE DETAILS. ITEM #7 WAS MYLAR. ADDED CABLE DIA, CSA NUMBER & TOL CHART. MODIFIED MATERIAL NUMBER CHART. | | | |
| | GENERAL TOLERANCES (UNLESS SPECIFIED) | | EC NO: 698297 DRWN: ABENJAMINLW 2021/09/29 CHK'D: RSTONE 2022/03/16 APPR: BWOODMAN 2022/03/26 | | | |
| | 4 PLACES ±--- ±--- 3 PLACES ±--- ±--- 2 PLACES ±--- ±--- 1 PLACE ±--- ±--- 0 PLACES ±--- ±--- | INITIAL REVISION: DRWN: GGUSTAFS 2013/11/26 APPR: BWOODMAN 2013/12/06 | | | MICRO-CHANGE CORDSET, M12, 4-5 POLE, FEMALE, STRAIGHT, SINGLE KEY, #22 AWG | |
| | ANGULAR TOL ± --- ° DRAFT WHERE APPLICABLE MUST REMAIN WITHIN DIMENSIONS | | THIRD ANGLE PROJECTION | DRAWING C-SIZE | SERIES 120065 | DOCUMENT NUMBER SD-120065-026 |
| MATERIAL NUMBER SEE CHART | | CUSTOMER GENERAL MARKET | | SHEET NUMBER 1 OF 1 | | |