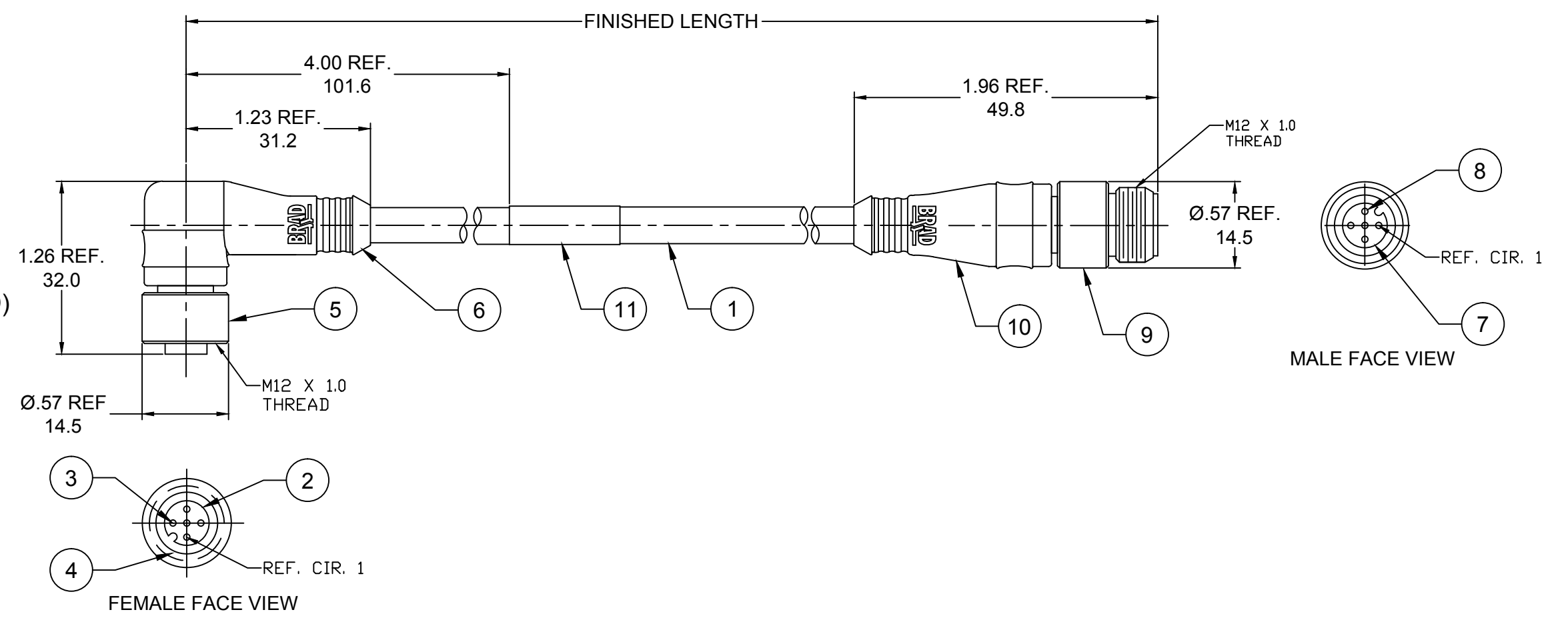


- NOTES:**
1. MATERIAL: AS NOTED
  2. FINISH: AS NOTED
  3. ELECTRICAL:  
VOLTAGE: 250V  
CURRENT: 4A
  4. TEMP RATING: -20° TO +80°C
  5. PROTECTION: IP67 (WHEN MATED)



ITEM	DESCRIPTION	MATERIAL	FINISH
11	WRAP LABEL	VINYL	BLACK/YELLOW
10	OVERMOLD (MALE)	PUR	YELLOW
9	COUPLING NUT (MALE)	BRASS	TEFLON/NICKEL
8	CONTACT PIN	COPPER ALLOY	GOLD PLATED
7	MALE INSERT	PUR	BLACK
6	OVERMOLD (90D FEMALE)	PUR	YELLOW
5	COUPLING NUT (FEMALE)	BRASS	TEFLON/NICKEL
4	O-RING	VITON	RED
3	CONTACT SOCKET	COPPER ALLOY	GOLD PLATED
2	FEMALE INSERT	PUR	BLACK
1	CABLE, 18 AWG, 4 COND	PUR JACKET	YELLOW

EC NO: IPG2017-0018 DRWN: RSTONE 2016/07/12 CHKD: K COX APPR: TWOLDEGE 2016/08/19 REV A	QUALITY SYMBOLS 	GENERAL TOLERANCES (UNLESS SPECIFIED)		DIMENSION STYLE		SCALE	DESIGN UNITS	THIRD ANGLE PROJECTION 	
				IN/MM		---	INCH		
		4 PLACES	±---	±---	DRAWN BY	DATE	TITLE		
		3 PLACES	±---	±---	RSTONE	2016/07/12	M12 CABLE ASSY MALE STR / FEMALE 90D 18AWG PUR HI-FLEX		
2 PLACES	±0.13	±0.01	CHECKED BY	DATE	MOLEX INCORPORATED				
1 PLACE	±0.3	±---	APPROVED BY	DATE	SD-120066-063				
ANGULAR ±2°			TWOLDEGE	2016/08/19	SHEET NO. 1 OF 1				
DRAFT WHERE APPLICABLE MUST REMAIN WITHIN DIMENSIONS			MATERIAL NO.	DOCUMENT NO.					
			SIZE B	THIS DRAWING CONTAINS INFORMATION THAT IS PROPRIETARY TO MOLEX INCORPORATED AND SHOULD NOT BE USED WITHOUT WRITTEN PERMISSION					