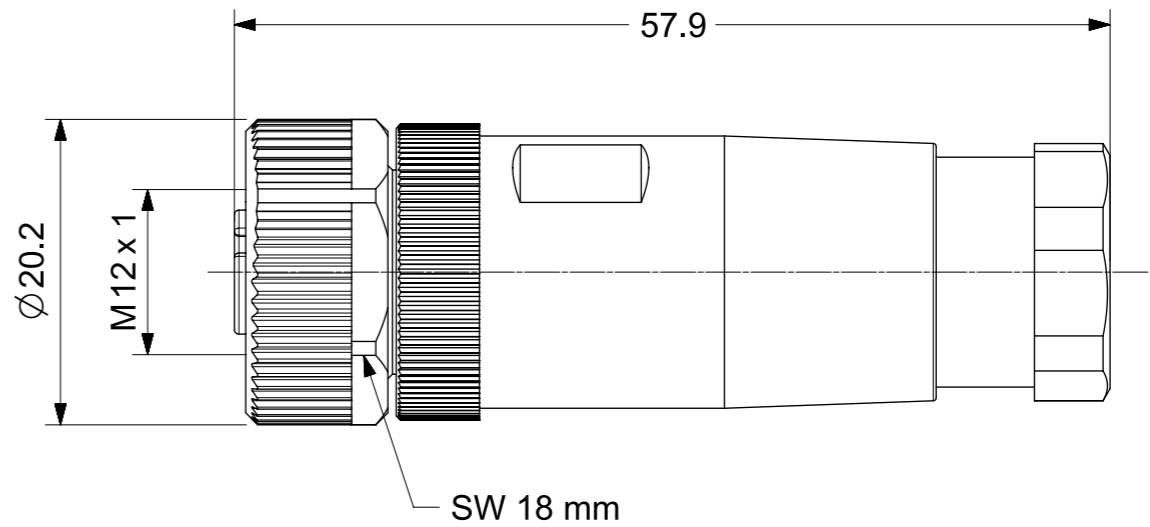
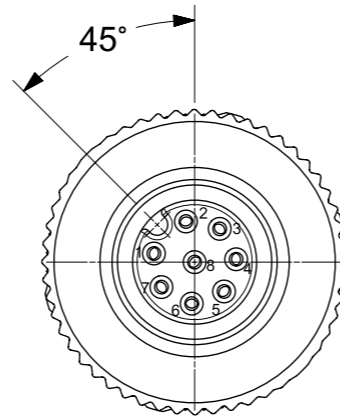
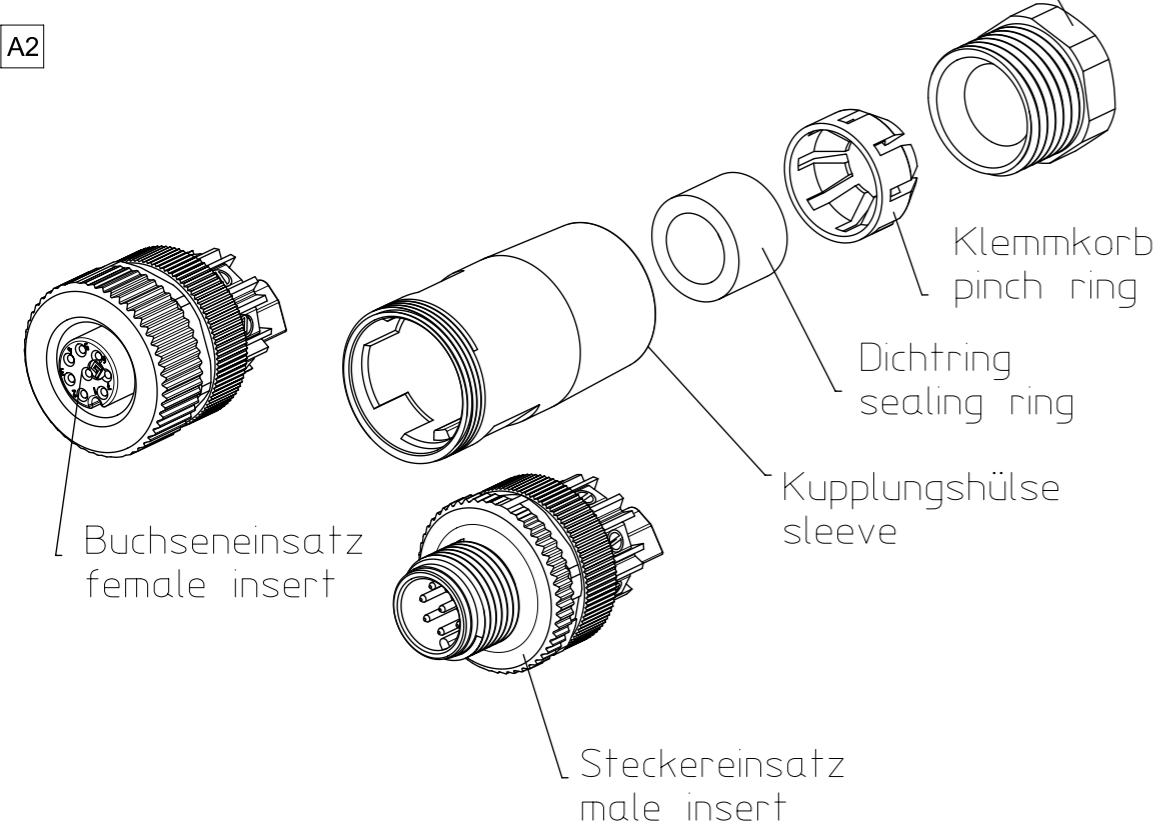


"Explosionszeichnung als Referenz,  
Polzahl siehe description"  
"Exploded drawing for reference,  
pole count see description"

A2



CHANGES SEE REVISION MARKING A1	NOTES
CHANGES SEE REVISION MARKING A2	NOTES

- NOTES:
- LOCKING SYSTEM: SCREW  
WIRE GAUGE: 0.50mm<sup>2</sup>  
CABLE OUTLET: 6 - 8mm
  - ELECTRICAL DATA:  
CURRENT RATING: 2A  
VOLTAGE RATING: 30V
  - MECHANICAL:  
OPERATING TEMP.: -40°C to +85°C  
PROTECTION CLASS: IP67
  - MATERIAL:  
CONTACT: CuZn (BRASS)  
CONTACT PLATING: Au (GOLD)

PRE-RELEASE  
REFERENCE  
USE ONLY

ENG.-NO: 8A8000-32

THIS DRAWING CONTAINS INFORMATION THAT IS PROPRIETARY TO MOLEX ELECTRONIC TECHNOLOGIES, LLC AND SHOULD NOT BE USED WITHOUT WRITTEN PERMISSION											
QUALITY SYMBOLS		2016/08/10		GENERAL TOLERANCES (UNLESS SPECIFIED)		DIMENSION UNITS		SCALE			
FA	= 0	EC NO: 107393 DRWN: LRAMMURTHY CHK'D: REV APPR:	A2	4 PLACES ±		MM		2:1			
FE	= 0			3 PLACES ±		DRWN BY		DATE			
FP	= 0			2 PLACES ± 0.05		MSCHWARZ		2015/07/01			
▼	= 0			1 PLACE ± 0.3		CHK'D BY		DATE			
∇	= 0			0 PLACES ± 0.5		APPR BY		DATE			
⊗	= 0			DRAFT WHERE APPLICABLE MUST REMAIN WITHIN DIMENSIONS		DRAWING SIZE		THIRD ANGLE PROJECTION			
■	= 0			A3							
∇	= 0							PRODUCT CUSTOMER DRAWING			
RELEASE STATUS		RQ		RELEASE DATE		25.08.2016		14:38:21		SERIES	
										120071	
										MATERIAL NUMBER	
										1200710031	
										CUSTOMER	
										GENERAL MARKET	
										DOCUMENT NUMBER	
										1200710031	
										DOC TYPE	
										PSD	
										DOC PART	
										000	
										SHEET NUMBER	
										1 OF 1	