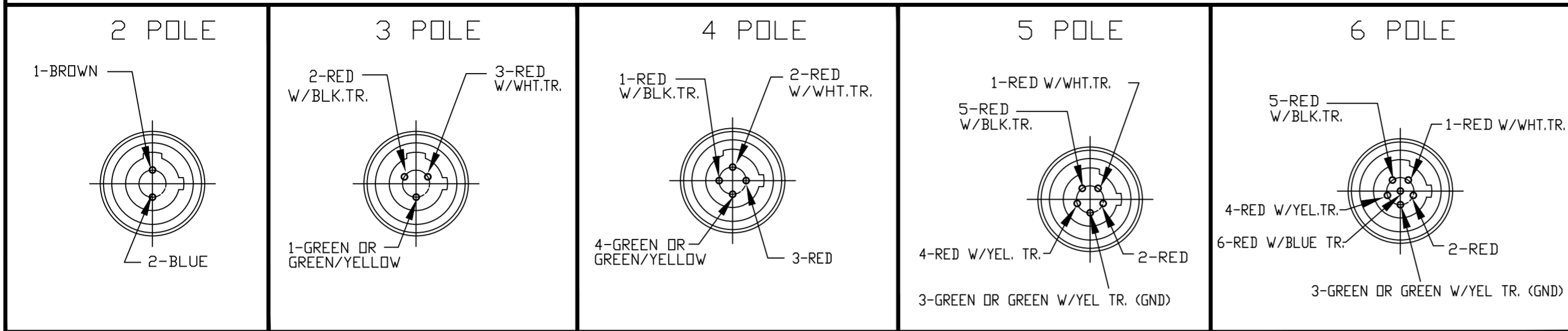


FRONT VIEW — FEMALE INSERT WIRING COLOR CODE



**CABLE LENGTH TOLERANCES**

>.3M [1FT]:	+19mm-0 [+ .75in-0]
.3 - .9M [1 - 3FT]:	+44.5mm-0 [+1.75in-0]
.9 - 1.8M [3 - 6FT]:	+55.6mm-0 [+2.19in-0]
1.8 - 3.7M [6 - 12FT]:	+88.9mm-0 [+3.50in-0]
3.7 - 7.3M [12 - 24FT]:	+165.1mm-0 [+6.50in-0]
7.3-14.6M [24 - 48FT]:	+317.5mm-0 [+12.50in-0]
14.6 - 30.5M [48-100FT]:	+622.3mm-0 [+24.50in-0]
OVER 30M [100FT]	+2% OF FINISHED LENGTH

**PART NUMBER LEGEND**

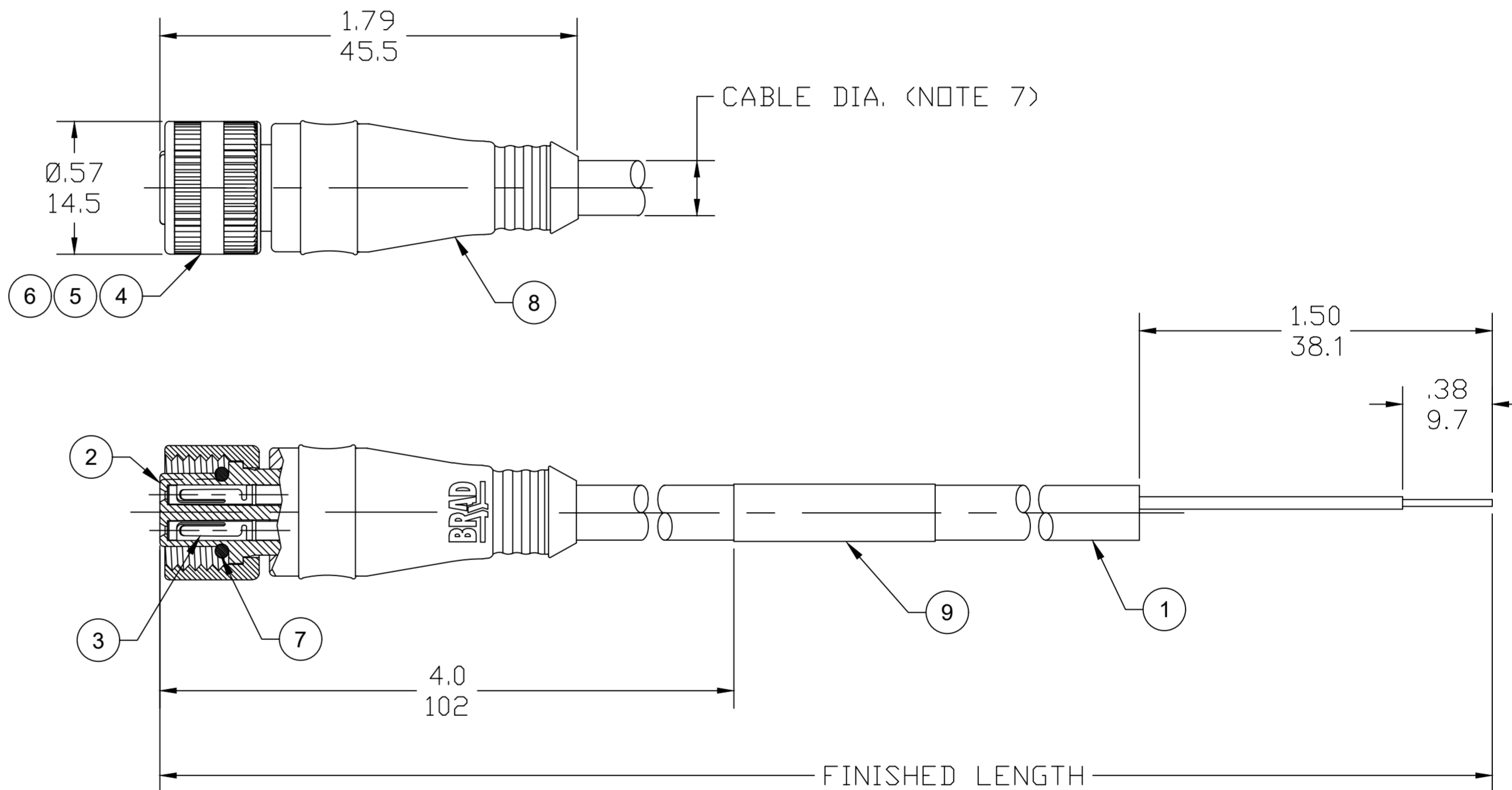
702000D02F0601

CABLE TYPE  
22AWG SHLD, PVC

COUPLING NUT OPTIONS  
BLANK= DIE CAST ZINC  
1= 303 STAINLESS STEEL  
2= NON METALLIC  
8= 316 ST. STEEL

FINISHED LENGTH:  
F010= 1 FOOT  
F100= 10FEET

M005= 0.5 METER  
M010= 1 METER  
M100= 10 METER



- NOTES:**
1. MATERIAL: AS NOTED
  2. FINISH: AS NOTED
  3. ELECTRICAL:  
VOLTAGE: 250 VOLTS AC/DC  
CURRENT: 4A
  4. TEMP RATING: -20°TO +105°C
  5. PROTECTION: IP67 (WHEN MATED)
  6. COUPLING THREAD: 1/2-20 UNF
  7. CABLE DIA: MIN .20 FOR 2 CIR, MAX .25 FOR 6 CIR
  8. ALL DIMS ARE FOR REFERENCE UNLESS NOTED OTHERWISE

PRE-RELEASE  
REFERENCE  
USE ONLY

PART NO.	ENGINEERING NO.	FINISHED LENGTH
1200720058	702000D02F020	2 FEET
1200720062	702000D02F0601	6 FEET
1200720574	706000D02F1202	12 FEET

ITEM	DESCRIPTION	MATERIAL	FINISH
9	WRAP LABEL	VINYL	BLACK/YELLOW
8	OVERMOLD	TPC	YELLOW
7	O-RING	NITRILE	RED
6	COUPLING NUT, FEMALE THD (-2 OPT)	DELRI	WHITE
5	COUPLING NUT, FEMALE THD (-1 & -8 OPT)	ST. STEEL	PASSIVATED
4	COUPLING NUT, FEMALE THD (STD OPT)	ZINC DIE-CAST	BLACK
3	CONTACT SOCKET	COPPER ALLOY	GOLD PLATED
2	FEMALE INSERT	NYLON	BLACK
1	CABLE, 22 AWG, SHIELDED	PVC JACKET	YELLOW

THIS DRAWING CONTAINS INFORMATION THAT IS PROPRIETARY TO MOLEX ELECTRONIC TECHNOLOGIES, LLC AND SHOULD NOT BE USED WITHOUT WRITTEN PERMISSION

FUNCTIONAL DIMENSION UNITS: INCH/MM, SCALE: NTS

GENERAL TOLERANCES (UNLESS SPECIFIED):  
 4 PLACES ± .005 ± .005  
 3 PLACES ± .005 ± .005  
 2 PLACES ± .005 ± .005  
 1 PLACE ± .005 ± .005  
 0 PLACES ± .005 ± .005

ANGULAR TOL ± .005 °

DRAFT WHERE APPLICABLE MUST REMAIN WITHIN DIMENSIONS

THIRD ANGLE PROJECTION

DRAWING: C-SIZE, SERIES: 120072

EC NO: ---  
 DRWN: CCHRASTKA 2020/07/23  
 CHK'D: ALEON01 2020/07/24  
 APPR: ---

INITIAL REVISION:  
 DRWN: RSTONE 2017/07/14  
 APPR: BWOODMAN 2017/07/21

PRODUCT CUSTOMER DRAWING

DOCUMENT NUMBER: SD-120072-022, DOC TYPE/DOC PART: PSD 001, REVISION: B

MATERIAL NUMBER: SEE TABLE, CUSTOMER: GENERAL MARKET, SHEET NUMBER: 1 OF 1