

6

5

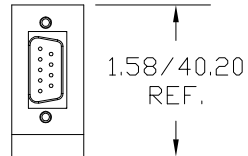
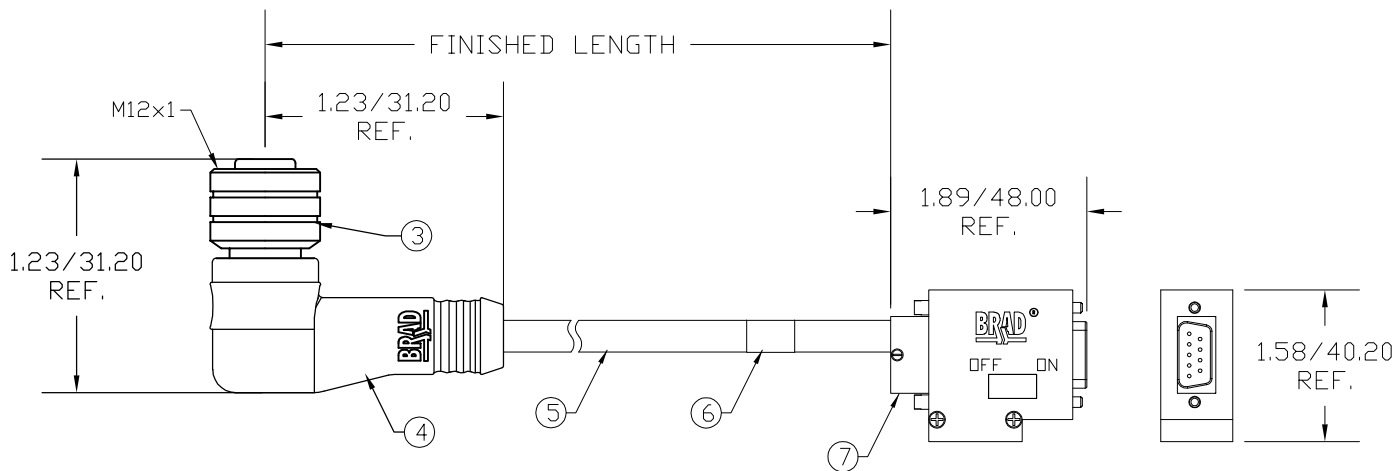
4

3

2

1

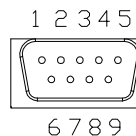
MATERIAL NUMBER	ENGINEERING PART NUMBER	FINISHED LENGTH
1200980184	BM5S31PP4M010	3.28' +2.19" -0 [1.0M +55.6 -0]
1200980185	BM5S31PP4M050	16.40' +6.50" -0 [5.0M +165.1 -0]



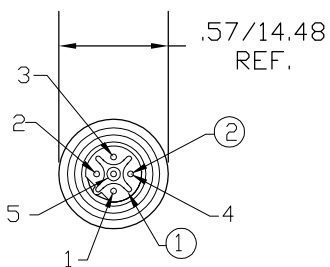
1	NOT CONNECTED	
2	GREEN (LINE A)	8
3	NOT CONNECTED	
4	RED (LINE B)	3
5	DRAIN WIRE	

**WIRING DIAGRAM**

PINS 1, 2, 4, 5, 7, & 9 ARE NOT CONNECTED ON D-SUB



D-SUB FACE VIEW



FEMALE FACE VIEW

VOLTAGE RATING	250 VAC/VDC
AMPERAGE RATING	4 AMPS
PROTECTION FOR M12 CONNECTOR	IP67
PROTECTION FOR D-SUB	IP40
OPERATING TEMPERATURE	-20°C TO 80°C

ITEM	COMPONENT	MATERIAL	FINISH
1	INSERT	NYLON	BLACK
2	SOCKET CONTACT	COPPER ALLOY	GOLD OVER NICKEL
3	COUPLING NUT	BRASS	NICKEL PLATED
4	OVERMOLD	PUR	YELLOW
5	CABLE- 22 AWG, COPPER STRANDING TWISTED PAIR SHIELD WITH BRAID	PUR	PURPLE
6	LABEL	MLYAR	BLACK/YELLOW
7	D-SUB	ABS	BLACK

**RLSD DRAWING**  
 EC NO: WNA2010-0143  
 DRWN: TWOLDEGE 8/27/09  
 CHKD: BWOODMAN  
 APPR: JFMURPHY 2009/08/28  
 REV A

**QUALITY SYMBOLS**  
 $\nabla=0$   
 $\nabla C=0$

**GENERAL TOLERANCES (UNLESS SPECIFIED)**

	mm	INCH
4 PLACES	±----	±---
3 PLACES	±----	±---
2 PLACES	±----	±.01
1 PLACE	±0.3	±---

ANGULAR ±--°  
**DRAFT WHERE APPLICABLE MUST REMAIN WITHIN DIMENSIONS**

**DIMENSION STYLE**  
 IN/MM

DRAWN BY DATE  
**TWOLDEGE 2009/08/27**

CHECKED BY DATE  
**BWOODMAN 2009/08/27**

APPROVED BY DATE  
**JFMURPHY 2009/08/27**

MATERIAL NO.  
**SEE CHART**

SIZE  
**A**

SCALE ---  
 DESIGN UNITS ---

THIRD ANGLE PROJECTION

**MICRO-CHANGE CORDSET  
 5P FEMALE PROFIBUS-DSUB  
 PUR CABLE**

**MOLEX INCORPORATED**

DOCUMENT NO. **SD-120098-006** SHEET NO. **1 OF 1**

THIS DRAWING CONTAINS INFORMATION THAT IS PROPRIETARY TO MOLEX INCORPORATED AND SHOULD NOT BE USED WITHOUT WRITTEN PERMISSION

6

5

4

3

2

1