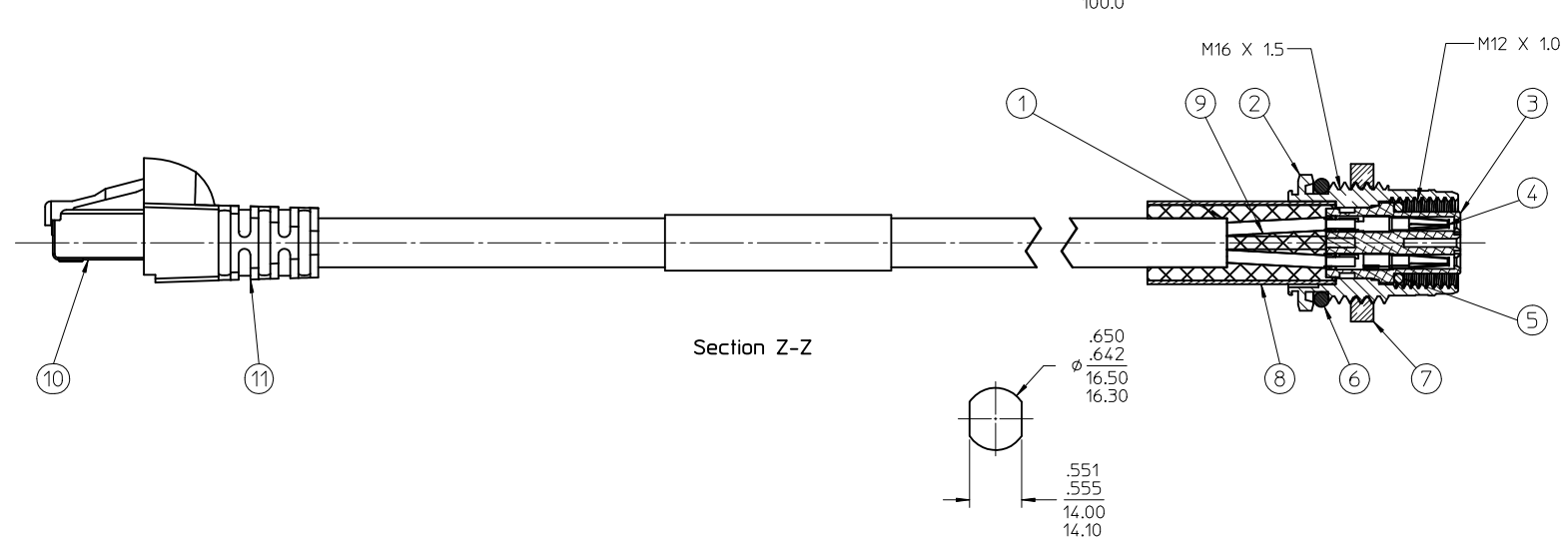
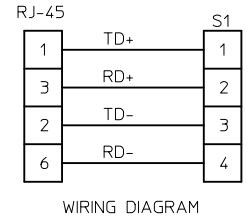
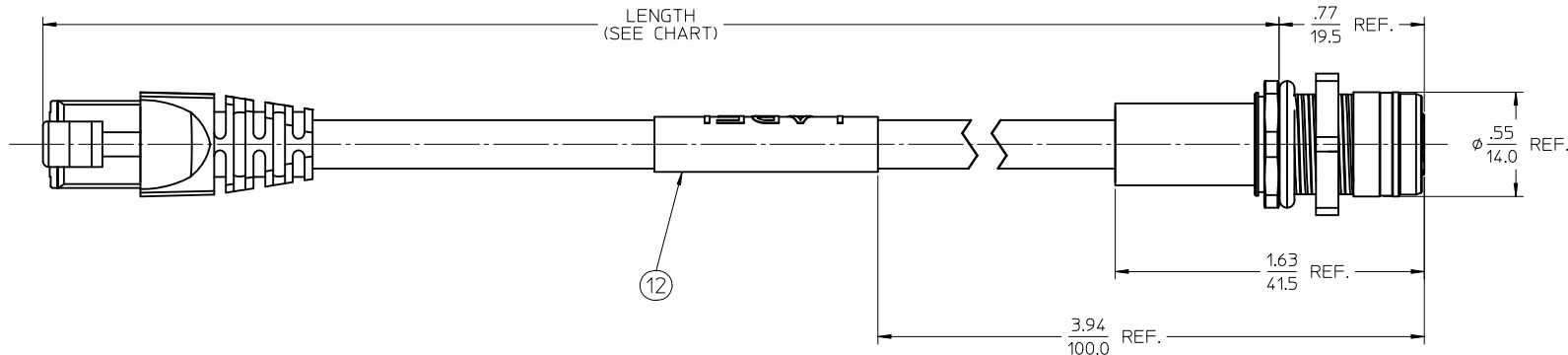
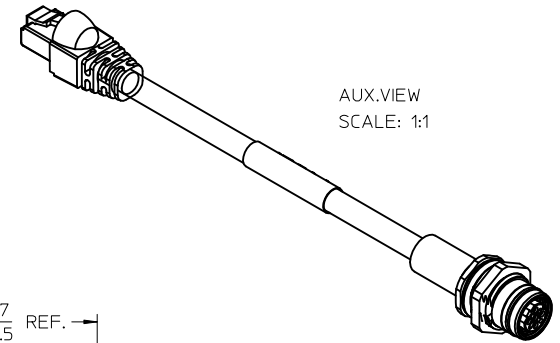


MATERIAL NO.	ENGINEERING NO.	LENGTH
1201090005	ERWPAU7003M006	23.62 +1.75-0 (.6M +44.5mm-0)

- NOTES:  
 1. MATERIAL: SEE TABLE  
 2. FINISHES: SEE TABLE  
 3. MATES WITH: ULTRA-LOCK MALE CABLE ASSEMBLY  
 4. ELECTRICAL SPECIFICATIONS:  
 VOLTAGE RATING: 125V  
 CURRENT RATING: 1.5 AMPS  
 5. ASSEMBLY IS RIHAS COMPLIANT



TYPICAL KNOCKOUT (B)

ITEM	QTY.	DESCRIPTION	MATERIAL	FINISH
12	1	WRAP LABEL	PLASTIC FILM	
11	1	RJ-45 SLEEVE	POLYOLEFIN	BLACK
10	1	RJ-45 PLUG	POLYCARB SHELL	
9	1	POTTING MATERIAL	EPOXY	
8	1	SLEEVE	BRASS	NICKEL PLATED
7	1	PANEL NUT, M16 X 15	Cu ALLOY	NICKEL PLATED
6	1	O-RING (PANEL SEAL)	BUNA-N	BLACK
5	1	O-RING (MATING INTERFACE)	VITON	RED
4	4	CONTACT SOCKET	Cu ALLOY	GOLD PLATED
3	1	INSERT	NYLON	BLACK
2	1	RECEPTACLE SHELL	BRASS	NICKEL PLATED
1	1	CABLE	PVC JACKET	

<b>REV D KNOCKOUT DIMS &amp; NOTE 3</b> EC NO: WNA2010-0509 DRWNR:STONE 2010/02/17 CHKD:J.WOODMAN 2010/04/21 APPR:J.MURPHY 2010/04/21	QUALITY SYMBOLS ▽=0 ▽=0	GENERAL TOLERANCES (UNLESS SPECIFIED) <table border="1"> <tr> <th></th> <th>mm</th> <th>INCH</th> </tr> <tr> <td>4 PLACES</td> <td>± .005</td> <td>± .0005</td> </tr> <tr> <td>3 PLACES</td> <td>± .005</td> <td>± .0005</td> </tr> <tr> <td>2 PLACES</td> <td>± .005</td> <td>± .001</td> </tr> <tr> <td>1 PLACE</td> <td>± 0.3</td> <td>± .012</td> </tr> </table>		mm	INCH	4 PLACES	± .005	± .0005	3 PLACES	± .005	± .0005	2 PLACES	± .005	± .001	1 PLACE	± 0.3	± .012	DIMENSION STYLE <b>IN/MM</b>	SCALE <b>2:1</b>	DESIGN UNITS <b>INCH</b>	THIRD ANGLE PROJECTION
		mm	INCH																		
	4 PLACES	± .005	± .0005																		
	3 PLACES	± .005	± .0005																		
2 PLACES	± .005	± .001																			
1 PLACE	± 0.3	± .012																			
DRAWN BY R.STONE	DATE 2009/05/14	TITLE <b>ULTRA-LOCK CORD ASSEMBLY          FEMALE D-CODE TO          RJ-45 MALE PLUG</b>																			
CHECKED BY B.WOODMAN	DATE 2009/05/15	APPROVED BY J.MURPHY																			
DATE 2009/05/19	MATERIAL NO. <b>SEE CHART</b>	DOCUMENT NO. <b>SD-120109-003</b>	SHEET NO. <b>1 OF 1</b>																		

DRAFT WHERE APPLICABLE MUST REMAIN WITHIN DIMENSIONS

THIS DRAWING CONTAINS INFORMATION THAT IS PROPRIETARY TO MOLEX INCORPORATED AND SHOULD NOT BE USED WITHOUT WRITTEN PERMISSION

