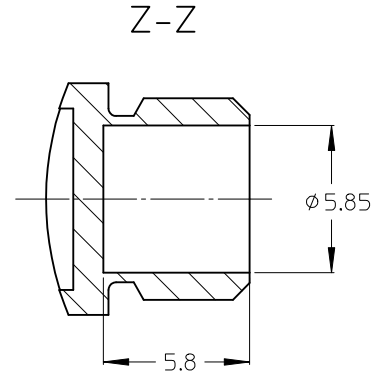
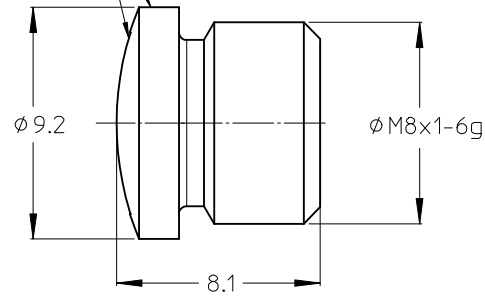


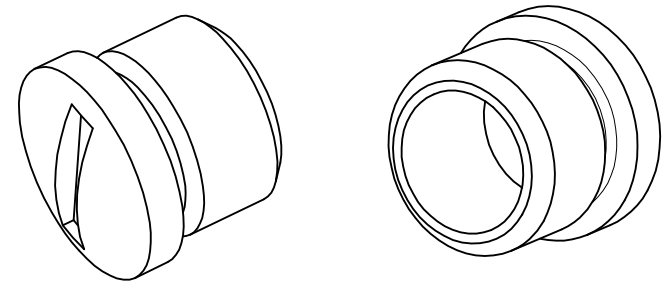
ERODED STRUCTURE ACCORDING
TO VDI 3400 NO. 30
Erodierstruktur nach
VDI 3400 Nr. 30



NOTES / Bemerkungen

- STANDARD TOLERANCES PER DIN 16901-140, UNLESS OTHERWISE SPECIFIED
Allgemeintoleranzen nach DIN 16901-140, wenn nicht anders angegeben
- FORM- AND POSITION TOLERANCES ACCORDING DIN ISO 2768-2
CLASS H UNLESS OTHERWISE SPECIFIED
Form- und Lagetoleranzen nach DIN ISO 2768-2 Klasse H, wenn nicht anders angegeben
- NOT DIMENSIONED RADII TO BE R 0.1 MM
Nicht bemaßte Radien R 0,1 mm
- PARTS TO BE CLEAN, FREE OF BURRS, SHARP EDGES AND FOREIGN MATERIAL
Teile graffrei, ohne scharfe Kanten und Spitzen und ohne Verunreinigungen
- MATERIAL COMPLIANT TO ROHS DIRECTIVE 2002/95/EC
Material nach ROHS DIRECTIVE 2002/95/EC
- MATERIAL: DURETHAN B30S BLACK
Werkstoff: Durethan B30S schwarz
- PACKAGING MUST FULFIL THE REQUIREMENT PREVENTING DAMAGE DURING SHIPMENT
Art und Weise der Verpackung muss Beschädigung der Bauteile beim Versand ausschließen

ENG.-NO.: AG15042



| | | | | | | | | | |
|--|--|---------------------------------------|---|----------------------------|-------------------------------|------------------------|-----------------------------------|--|--|
| ENTER DESCRIPTION EC NO: IPG2013-1138 DRW:RSCHIEBER 2013/01/28 CHKD:APOHL 2013/01/28 APPR:CBURGER 2013/01/30 | QUALITY SYMBOLS ▽=0 ◻=0 | GENERAL TOLERANCES (UNLESS SPECIFIED) | | DIMENSION STYLE MM ONLY | SCALE 5:1 | DESIGN UNITS METRIC | THIRD ANGLE PROJECTION | | |
| | | | mm | INCH | DRAWN BY RSCHIEBER | DATE 2013/01/28 | TITLE BLANKING PLUG M8X1 PA MA | | |
| | | 4 PLACES | ± --- | ± --- | CHECKED BY APOHL | DATE 2013/01/28 | | | |
| | | 3 PLACES | ± --- | ± --- | APPROVED BY CBURGER | DATE 2013/01/30 | | | |
| | ANGULAR ± --- ° | | MATERIAL NO. 1203080677 | | DOCUMENT NO. SD-120308-002 | | SHEET NO. 1 OF 1 | | |
| | DRAFT WHERE APPLICABLE MUST REMAIN WITHIN DIMENSIONS | | THIS DRAWING CONTAINS INFORMATION THAT IS PROPRIETARY TO MOLEX INCORPORATED AND SHOULD NOT BE USED WITHOUT WRITTEN PERMISSION | | | | | | |