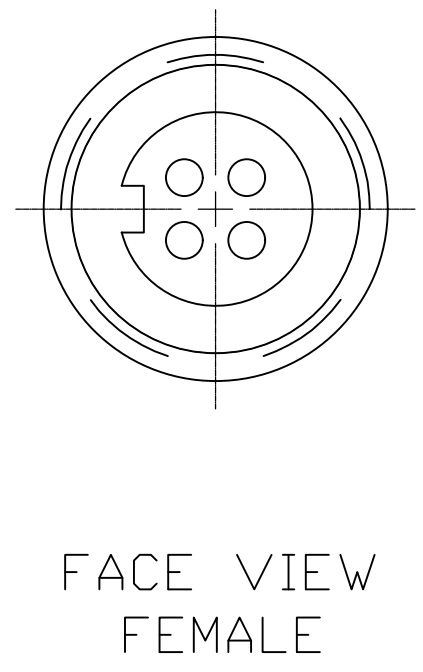
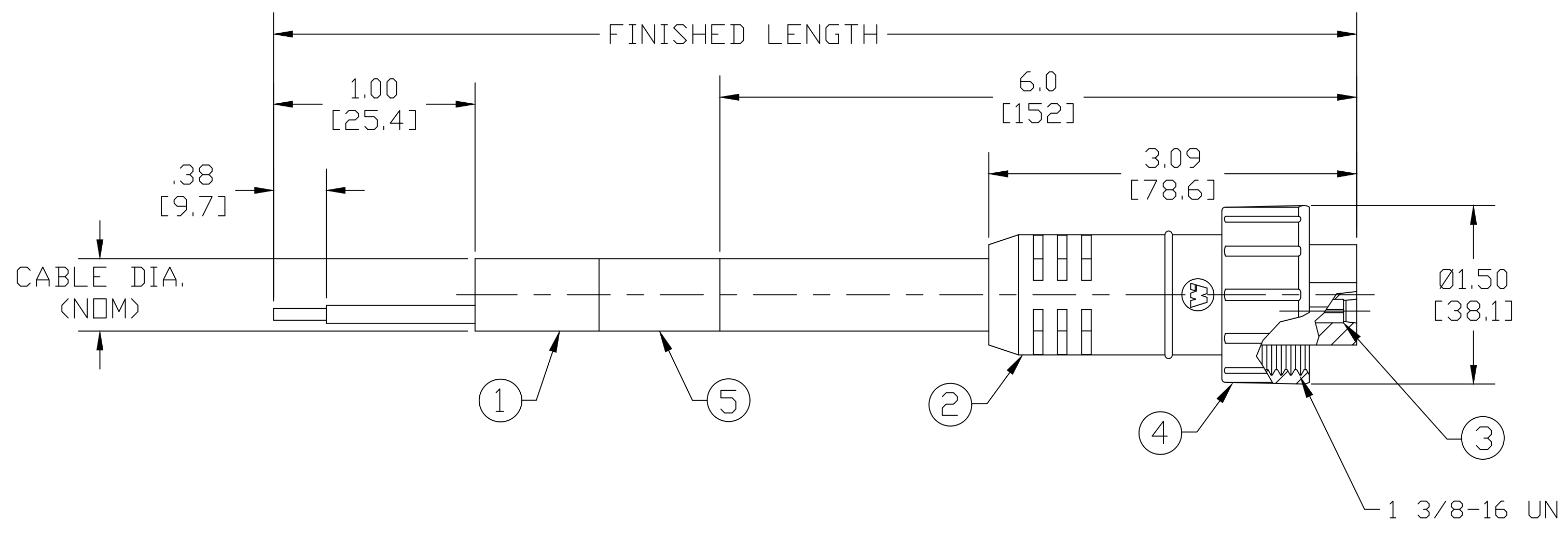
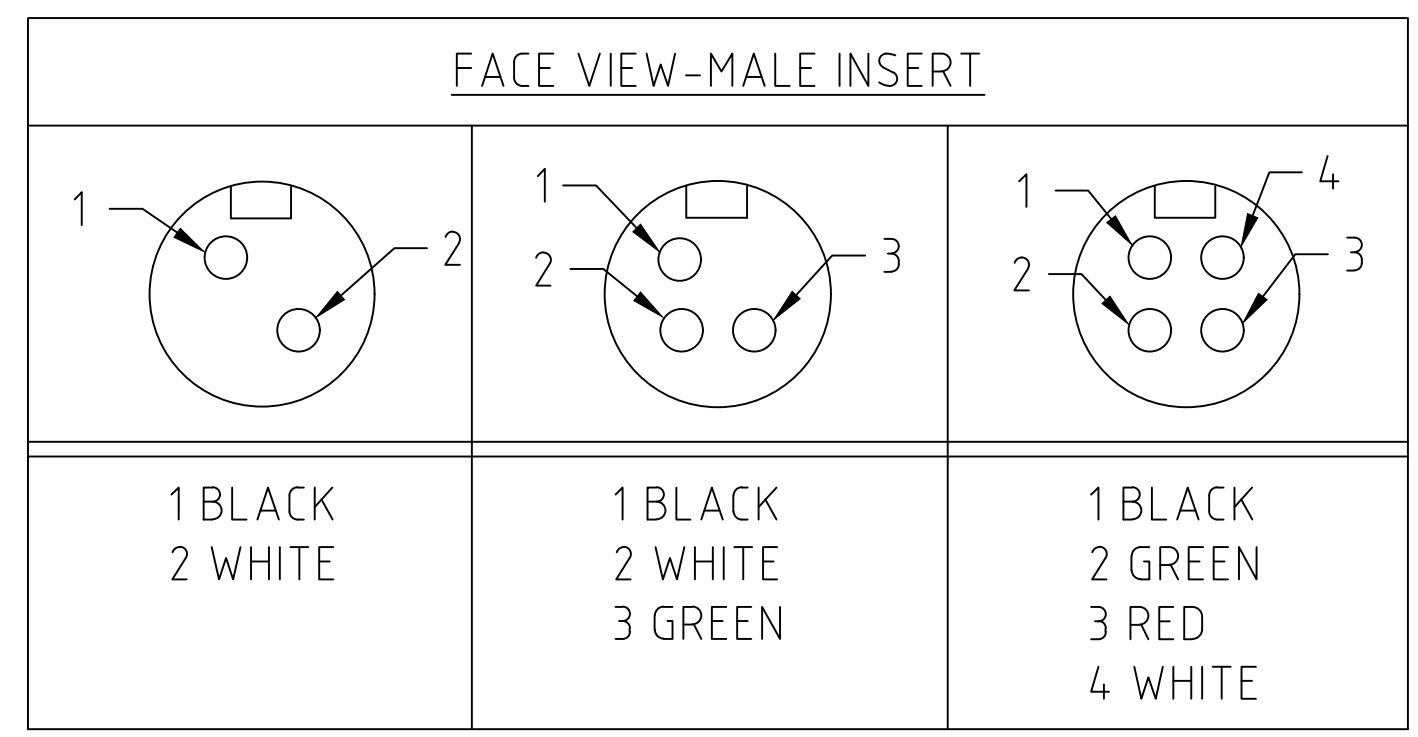


MATERIAL NO.	ENGINEERING NO.	POLES	FINISHED LENGTH	CABLE DIA.,
1300000031	32053	2	3.0 FT. [0.9M]	.65
1300000032	32054		6.0 FT. [1.8M]	
1300000033	32055		12.0 FT. [3.7M]	
1300000062	32407	3	3.0 FT. [0.9M]	.69
1300000063	32408		6.0 FT. [1.8M]	
1300000298	603000C07F120		12.0 FT. [3.7M]	
1300000106	32757	4	3.0 FT. [0.9M]	.75
1300000108	32758		6.0 FT. [1.8M]	
1300000109	32759		12.0 FT. [3.7M]	
1300000223	604000C07F150		15.0 FT. [4.6M]	



- NOTES:
1. MATERIAL: AS NOTED
 2. FINISH: AS NOTED
 3. ELECTRICAL:
VOLTAGE: 600V AC/DC
CURRENT: 2 & 3P: 30A
4P: 25A
 4. TEMP RATING: -20°C TO +105°C
 5. PROTECTION: IP67 (WHEN MATED)
 6. COUPLING THREAD: AS NOTED
 7. UL CERTIFIED FILE: E46237
CSA CERTIFIED FILE: LR6837
 8. ALL DIMS ARE FOR REFERENCE UNLESS TOLERANCED OR NOTED OTHERWISE

PART NUMBER LEGEND

604000C07F150

POLES 2-4 FINISHED LENGTH:
 F010= 1 FOOT
 F100= 10 FEET
 M005= 0.5 METER
 M010= 1 METER
 M100= 10 METER

CABLE LENGTH TOLERANCES

>.3M [1FT]:	+19mm-0 [+1.75in-0]
.3 - .9M [1 - 3FT]:	+44.5mm-0 [+1.75in-0]
.9 - 1.8M [3 - 6FT]:	+55.6mm-0 [+2.19in-0]
1.8 - 3.7M [6 - 12FT]:	+88.9mm-0 [+3.50in-0]
3.7 - 7.3M [12 - 24FT]:	+165.1mm-0 [+6.50in-0]
7.3-14.6M [24 - 48FT]:	+317.5mm-0 [+12.50in-0]
14.6 - 30.5M [48-100FT]:	+622.3mm-0 [+24.50in-0]
OVER 30M [100FT]	+2% OF FINISHED LENGTH

ITEM	COMPONENT	MATERIAL	FINISH
5	WRAP LABEL	VINYL	BLACK/YELLOW
4	COUPLING NUT	THERMOPLASTIC	BLACK
3	CONTACT SOCKET	COPPER ALLOY	UN-PLATED
2	OVERMOLD	RUBBER	YELLOW
1	CABLE-10 AWG SOOW	CPE JACKET	YELLOW

THIS DRAWING CONTAINS INFORMATION THAT IS PROPRIETARY TO MOLEX ELECTRONIC TECHNOLOGIES, LLC AND SHOULD NOT BE USED WITHOUT WRITTEN PERMISSION

SYMBOLS	DIMENSION UNITS	SCALE	CURRENT REV DESC: RELEASED	
	INCH/MM	1:1		
▽ = 0	GENERAL TOLERANCES (UNLESS SPECIFIED)		EC NO: 625795	
		mm	INCH	
▽ = 0	4 PLACES	±----	±----	DRWN: RSTONE 2019/10/11
▽ = 0	3 PLACES	±----	±----	CHK'D: MZIELINSKI 2019/10/16
▽ = 0	2 PLACES	±----	±----	APPR: BWOODMAN 2019/10/25
▽ = 0	1 PLACE	±----	±----	INITIAL REVISION:
▽ = 0	0 PLACES	±----	±----	DRWN: RSTONE 2019/10/11
▽ = 0	ANGULAR TOL ± ---- °		APPR: BWOODMAN 2019/10/25	
▽ = 0	DRAFT WHERE APPLICABLE MUST REMAIN WITHIN DIMENSIONS		THIRD ANGLE PROJECTION	DRAWING C-SIZE
DOCUMENT STATUS		P1	RELEASE DATE	2019/10/25 19:21:00
SERIES		130000	MATERIAL NUMBER	SEE MAT. NO CHART
SHEET NUMBER		1 OF 1	CUSTOMER	---

molex

QUICK CHANGE ASSEMBLY, 2 TO 4 POLE STRAIGHT FEMALE, 10AWG, SOOW CORD

PRODUCT CUSTOMER DRAWING

DOCUMENT NUMBER: 1300000031 DOC TYPE: PSD DOC PART: 000 REVISION: A