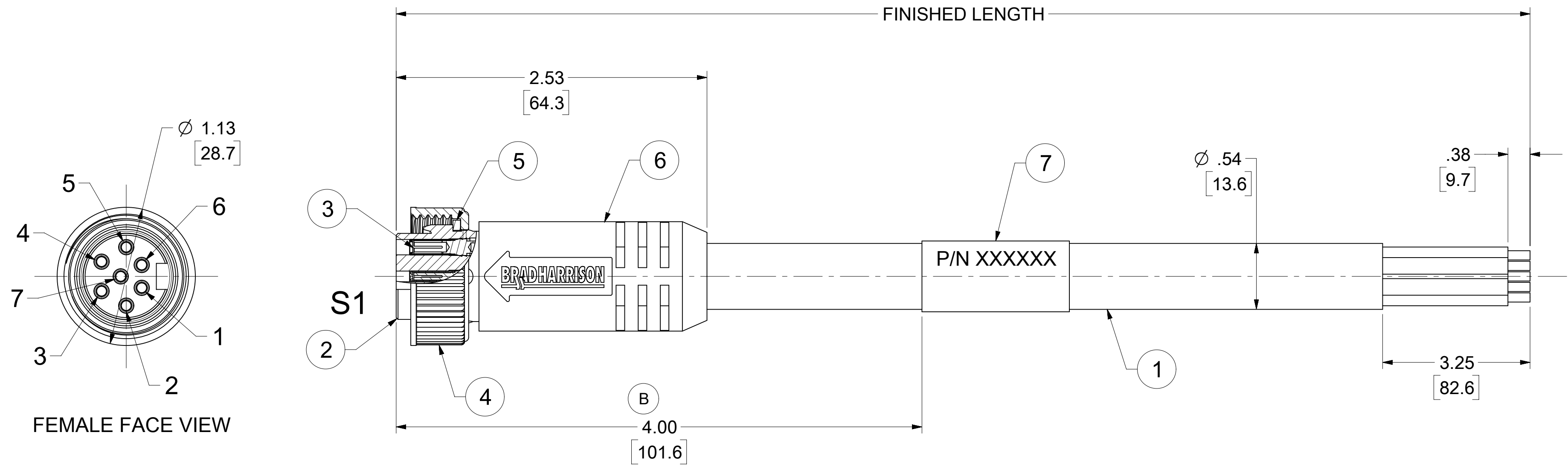
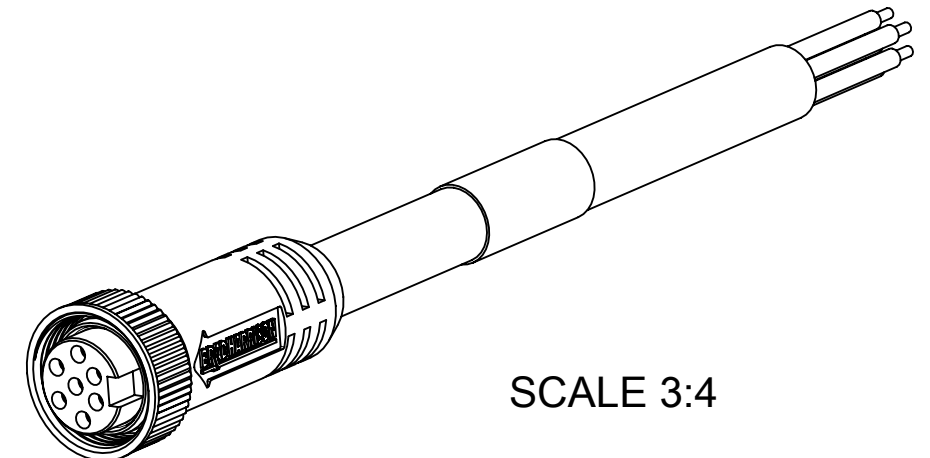


MATERIAL NO.	ENGINEERING NO.	FINISHED LENGTH
1300070071	207000A01F030	3 FT. (0.91 M)
1300070076	207000A01F120	12 FT. (3.66 M)
1300070080	207000A01F200	20 FT. (6.10 M)

CABLE LENGTH TOLERANCES
 <.3M [1FT]: +19mm-0 [+.75in-0]
 .3 - .9M [1 - 3FT]: +44.5mm-0 [+1.75in-0]
 .9 - 1.8M [3 - 6FT]: +55.6mm-0 [+2.19in-0]
 1.8 - 3.7M [6 - 12FT]: +88.9mm-0 [+3.50in-0]
 3.7 - 7.3M [12 - 24FT]: +165.1mm-0 [+6.50in-0]
 7.3-14.6M [24 - 48FT]: +317.5mm-0 [+12.50in-0]
 14.6 - 30.5M [48-100FT]: +622.3mm-0 [+24.50in-0]
 OVER 30M [100FT] +2% OF FINISHED LENGTH



- NOTES:**
- MATERIAL: AS NOTED
 - FINISH: AS NOTED
 - ELECTRICAL:
 VOLTAGE: 320V PER IEC60664
 600V PER UL2238
 CURRENT: 8A
 - TEMP RATING: -20°C TO +105°C
 - PROTECTION: IP67 (WHEN MATED)
 - CSA CERTIFIED FILE: LR6837
 - UL RECOGNIZED FILE: E152210
 - COUPLING THREAD: 1"-16UN
 - ALL DIMS ARE FOR REFERENCE UNLESS TOLERANCED OR NOTED OTHERWISE

WIRING DIAGRAM

S1	Color
1	WHITE/BLACK
2	BLACK
3	WHITE
4	RED
5	ORANGE
6	BLUE
7	GREEN/YELLOW

PART NUMBER LEGEND

207000A01F030

FINISHED LENGTH
 F001= .1 FT
 F020= 2 FT
 F200= 20 FT

ITEM	DESCRIPTION	MATERIAL	FINISH
7	WRAP LABEL	VINYL	BLACK/YELLOW
6	OVERMOLD	TPE	YELLOW
5	FRICTION RING	NYLON	WHITE
4	COUPLING NUT	ZINC DIE CAST	BLACK E-COAT
3	SOCKET CONTACT	Cu ALLOY	GOLD OVER NICKEL
2	FEMALE INSERT	TPE	YELLOW
1	# 16-7 CABLE,STOOW/ST	PVC JACKET	YELLOW
	ITEM	DESCRIPTION	MATERIAL
			FINISH

FUNCTIONAL SYMBOLS	THIS DRAWING CONTAINS INFORMATION THAT IS PROPRIETARY TO MOLEX ELECTRONIC TECHNOLOGIES, LLC AND SHOULD NOT BE USED WITHOUT WRITTEN PERMISSION		CURRENT REV DESC: UPDATED ITEM #2 & 6 WERE PVC, 7 WAS PLASTIC FILM, LABEL DIM. AND MATERIAL P/N TABLE. ADDED CSA, UL, IEC VOLT, TEMP & IP RATING, TOL. CHART AND PART NUMBER LEGEND. MERGED SOCKET CONTACT AND SLEEVE TO SOCKET CONTACT.	molex		
	DIMENSION UNITS	SCALE				
$F_A = 0$	INCH/MM	1.5:1	EC NO: 718076	MINI-CHANGE CORDSET, B-SIZE		
$F_C = 0$	GENERAL TOLERANCES (UNLESS SPECIFIED)		DRWN: VHANDI	7 POLE, FEMALE, STRAIGHT, SINGLE KEY, 16 AWG		
$F_P = 0$			2021/06/04	PRODUCT CUSTOMER DRAWING		
DIVISIONAL SYMBOLS			CHK'D: RSTONE	DOCUMENT NUMBER		
			2022/08/18	SD-130007-005		
			APPR: BWOODMAN	DOC TYPE DOC PART REVISION		
			2022/08/22	PSD 001 B		
			INITIAL REVISION:	MATERIAL NUMBER		
			DRWN: BRUPERT	SEE TABLE		
			2009/04/02	CUSTOMER		
			APPR: J.MURPHY	GENERAL MARKET		
			2008/04/06	SHEET NUMBER		
			ANGULAR TOL	1 OF 1		
			DRAFT WHERE APPLICABLE MUST REMAIN WITHIN DIMENSIONS			
			THIRD ANGLE PROJECTION			
			DRAWING			
			C-SIZE			
			SERIES			
			130007			