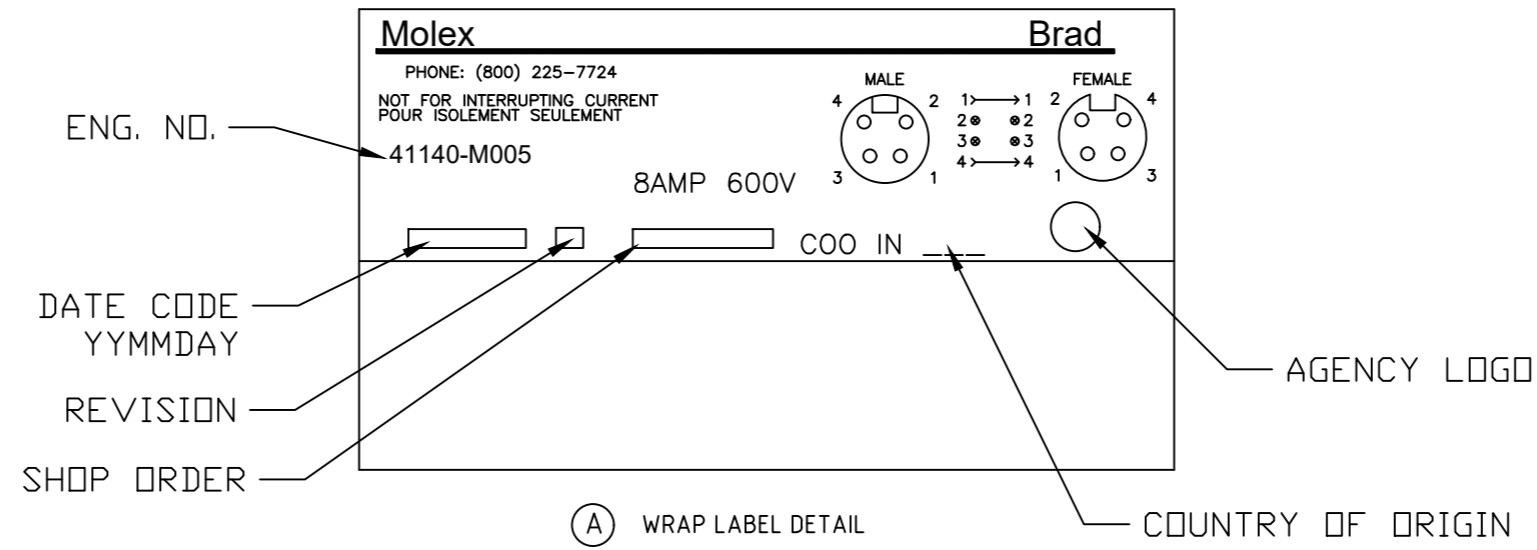
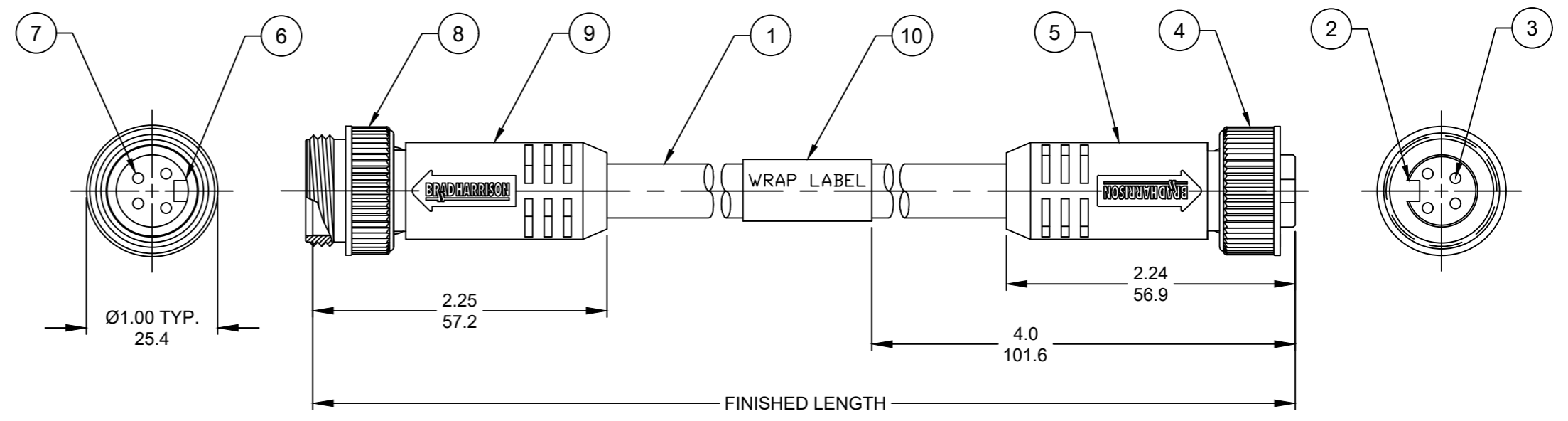


NOTES:

- MATERIAL: AS NOTED
- FINISH: AS NOTED
- ELECTRICAL:
VOLTAGE: 483V PER IEC60664
600V PER UL2238
CURRENT: 8A
- TEMP RATING: -20°TO +105°C
- PROTECTION: IP67 (WHEN MATED)
- COUPLING THREAD: 7/8-16UN
- UL RECOGNIZED FILE: E152210
- ALL DIMENSIONS ARE FOR REFERENCE UNLESS TOLERANCED OR NOTED OTHERWISE.



CABLE LENGTH TOLERANCES	
<.3M [1FT]:	+19mm-0 [+ .75in-0]
.3 - .9M [1 - 3FT]:	+44.5mm-0 [+1.75in-0]
.9 - 1.8M [3 - 6FT]:	+55.6mm-0 [+2.19in-0]
1.8 - 3.7M [6 - 12FT]:	+88.9mm-0 [+3.50in-0]
3.7 - 7.3M [12 - 24FT]:	+165.1mm-0 [+6.50in-0]
7.3-14.6M [24 - 48FT]:	+317.5mm-0 [+12.50in-0]
14.6 - 30.5M [48-100FT]:	+622.3mm-0 [+24.50in-0]
OVER 30M [100FT]:	+2% OF FINISHED LENGTH



10	WRAP LABEL	VINYL	BLACK/YELLOW
9	OVERMOLD	TPE	YELLOW
8	COUPLING NUT, MALE	ZINC DIE CAST	BLACK
7	CONTACT PIN	COPPER ALLOY	GOLD PLATED
6	MALE INSERT	TPE	YELLOW
5	OVERMOLD	TPE	YELLOW
4	COUPLING NUT, FEMALE	ZINC DIE CAST	BLACK
3	CONTACT SOCKET	COPPER ALLOY	GOLD PLATED
2	FEMALE INSERT	TPE	YELLOW
1	CABLE, 16/4,STOOW	PVC JACKET	BLACK
ITEM	DESCRIPTION	MATERIAL	FINISH

PART NO. LEGEND (A)

41140-M005

LENGTH:
M005= 0.5 METER
M010= 1 METER
M100= 10 METER

PART NO.	ENGINEERING P/N	FINISHED LENGTH
1300101677	41140-M005	0.5M [1.6 FT]

FUNCTIONAL SYMBOLS										THIS DRAWING CONTAINS INFORMATION THAT IS PROPRIETARY TO MOLEX ELECTRONIC TECHNOLOGIES, LLC AND SHOULD NOT BE USED WITHOUT WRITTEN PERMISSION														
DIMENSION UNITS					SCALE					CURRENT REV DESC: REDRAWN, WAS RSD-130010-031, UPDATE LABEL DETAIL														
INCH/MM					NTS					<p>MINI-CHANGE CORDSET, A-SIZE 4 POLE, 2 WIRE, MALE-FEMALE, STRAIGHT, SINGLE KEY, 16 AWG</p> <p>PRODUCT CUSTOMER DRAWING</p> <p>DOCUMENT NUMBER: 1300101677 DOC TYPE: PSD DOC PART: 000 REVISION: A</p>														
GENERAL TOLERANCES (UNLESS SPECIFIED)																								
4 PLACES ±----					±----																			
3 PLACES ±----					±----																			
DIVISIONAL SYMBOLS										EC NO: 677986														
1 PLACE ±----					±----					DRWN: RSTONE 2021/09/15														
0 PLACES ±----					±----					CHK'D: CCHRSTKA 2021/09/17														
ANGULAR TOL ± ---- °										APPR: BWOODMAN 2021/09/20														
DRAFT WHERE APPLICABLE MUST REMAIN WITHIN DIMENSIONS										THIRD ANGLE PROJECTION														
DRAWING					SERIES					MATERIAL NUMBER					CUSTOMER					SHEET NUMBER				
B-SIZE					130010					SEE P/N CHART					GENERAL MARKET					1 OF 1				