

6

5

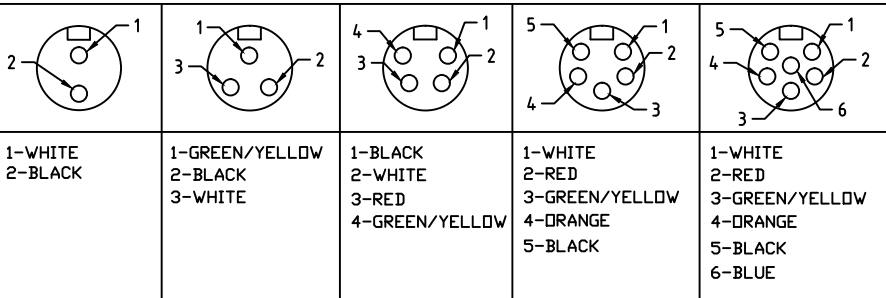
4

3

2

1

## FACE VIEW-FEMALE INSERT



## NOTES:

- MATERIAL: SEE TABLE
- FINISH: SEE TABLE
- ELECTRICAL:  
VOLTAGE: 2P THRU 6P 600V PER UL 2238  
3P 500V PER IEC60664  
4P 483V PER IEC60664  
5 & 6P 400V PER IEC60664

- CURRENT: 2P & 3P: 13A  
4P: 10A  
5P & 6P: 8A

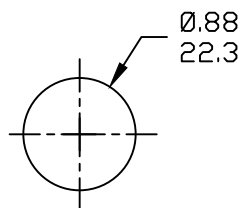
- TEMP RATING: -20°TO +105°C
- PROTECTION: IP67 (WHEN MATED)
- UL RECOGNIZED, FILE E152210
- ALL DIMS ARE FOR REFERENCE UNLESS NOTED OTHERWISE

## CABLE LENGTH TOLERANCES

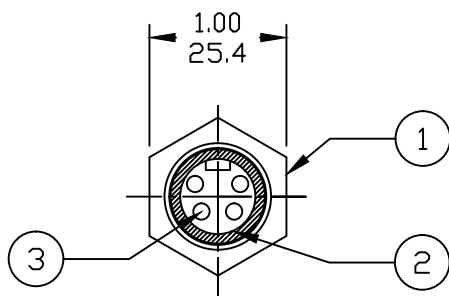
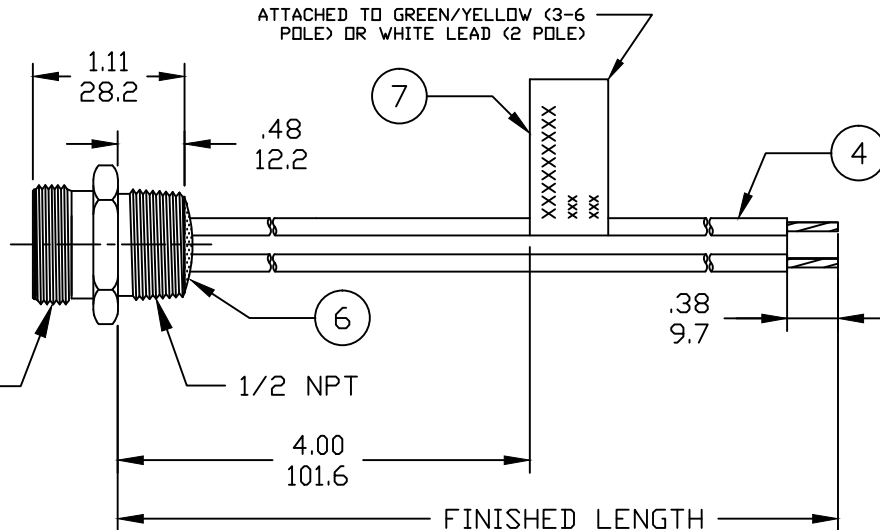
- >.3M [1FT]: +19mm-0 [ +.75in-0]  
.3 - .9M [1 - 3FT]: +44.5mm-0 [+1.75in-0]  
.9 - 1.8M [3 - 6FT]: +55.6mm-0 [+2.19in-0]  
1.8 - 3.7M [6 - 12FT]: +88.9mm-0 [+3.50in-0]  
3.7 - 7.3M [12 - 24FT]: +165.1mm-0 [+6.50in-0]  
7.3-14.6M [24 - 48FT]: +317.5mm-0 [+12.50in-0]  
14.6 - 30.5M [48-100FT]: +622.3mm-0 [+24.50in-0]  
OVER 30M [100FT] +2% OF FINISHED LENGTH

## CHART (A1)

PART NO.	ENGINEERING NO.	FINISHED LENGTH
1300130582	1R6004A20F120	12IN
1300131164	1R5004A20M010	1.0M
1300130328	1R4004A20F080	8.0FT



REF. KNOCKOUT HOLE

7/8-16  
THREAD

## PART NUMBER LEGEND

1R3004A20F020

POLES: 2-6  
FINISHED LENGTH:  
A120= 12 IN.  
F020= 2 FEET  
F100= 10 FEET

M005= 0.5 METER  
M010= 1 METER  
M100= 10 METER

## TABLE

ITEM	DESCRIPTION	MATERIAL	FINISH
6	FLAG LABEL	VINYL	BLACK/YELLOW
5	POTTING MATERIAL	EPDXY	
4	WIRE, 16 AWG UL (1015)	PVC INSULATION	SEE CHART
3	CONTACT SOCKET	COPPER ALLOY	GOLD PLATED
2	FEMALE INSERT	PVC	YELLOW
1	RECEPTACLE SHELL	ZINC DIE-CAST	BLACK

REVID: EC/VOLTS, ADD: UL FILE, CHART & TOOLS	5/1/17	
EC NO: IPG2017-1018	DRWN: RSTONE	2017/05/08
	CHKD: M ZIELIN	
	APPR: BWOODMAN	
A1	REV	

QUALITY SYMBOLS

GENERAL TOLERANCES  
(UNLESS SPECIFIED)

	mm	INCH
4 PLACES	±---	±---
3 PLACES	±---	±---
2 PLACES	±---	±---
1 PLACE	±---	±---

ANGULAR ±1/2°

DRAFT WHERE APPLICABLE  
MUST REMAIN  
WITHIN DIMENSIONSDIMENSION STYLE  
INCH/MM

DRAWN BY	DATE
RSTONE	2016/12/05
CHECKED BY	DATE
M ZIELIN	2016/12/12
APPROVED BY	DATE
---	---

MATERIAL NO. --

SIZE A

THIS DRAWING CONTAINS INFORMATION THAT IS PROPRIETARY TO MOLEX INCORPORATED AND SHOULD NOT BE USED WITHOUT WRITTEN PERMISSION

SCALE ---

DESIGN UNITS  
INCHTHIRD ANGLE  
PROJECTION

TITLE  
 MINI-CHANGE RECEPTACLE  
 2-6P FEMALE  
 #16-1 PVC WIRES

MOLEX  
 MOLEX INCORPORATED

DOCUMENT NO. SD-130013-121  
 SHEET NO. 1 OF 1

6

5

4

3

2

1