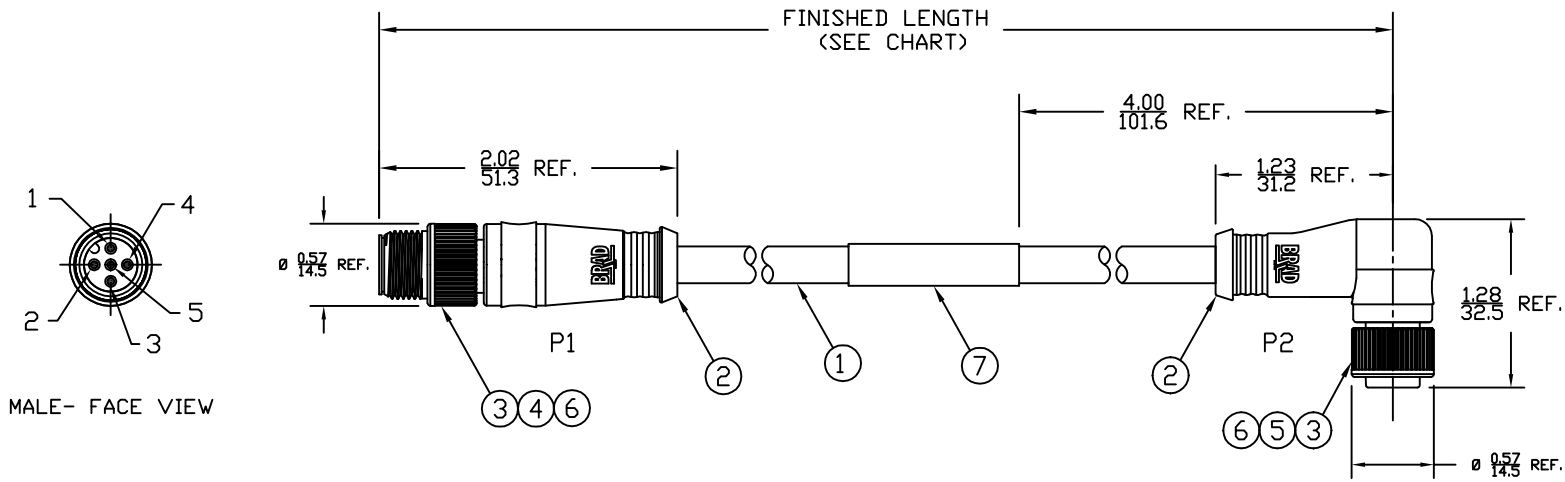
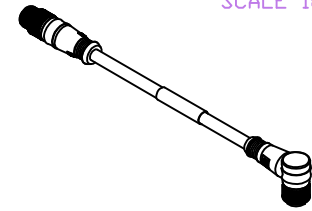


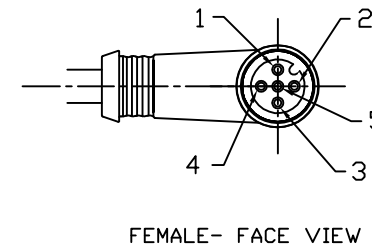
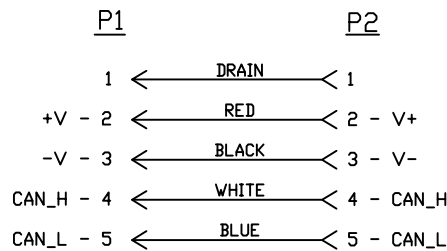
PART NUMBER	ENGINEERING NO.	LENGTH ± TOLERANCE
1300280172	DNDF32A-M010	3' 3" +2.19"/-0" [ 1M +55.6/-0 mm ]
1300280244	DNDF32A-M030	9' 10" +3.50"/-0" [ 3M +88.9/-0 mm ]
1300280178	DNDF32A-M050	16' 5" +6.50"/-0" [ 5M +165.1/-0 mm ]

AUX VIEW  
SCALE 1:4



NOTES:

- 1) MATERIAL: SEE TABLE
- 2) FINISHES: SEE TABLE
- 3) CABLE: #22/2, #24/2 + DRAIN, DEVICENET THIN HIGH FLEX  
EACH PAIR: SHIELDED, TWISTED  
OVERALL: SHIELDED, PVC
- 4) ELECTRICAL DATA:  
MAX. VOLTAGE: 250V AC/DC  
MAX. CURRENT 4A
- 5) ENVIRONMENTAL:  
PROTECTION IP67  
TEMPERATURE RANGE: -20°C TO 80°C
- 6) WRAP LABEL IS MARKED WITH P/N, DATE CODE,  
VOLTAGE & AMPERAGE.
- 7) ASSEMBLY IS RoHS COMPLIANT.



SCHEMATIC

ITEM	QTY.	DESCRIPTION	MATERIAL	FINISH
7	1	LABEL	PLASTIC FILM	BLACK/YELLOW
6	2	INSERT	NYLON	BLACK
5	5	SOCKET CONTACT	COPPER ALLOY	GOLD PLATED
4	5	PIN CONTACT	COPPER ALLOY	GOLD PLATED
3	2	M12 COUPLING NUT	ZINC DIE-CAST	BLACK
2	2	OVERMOLD	TPE	GRAY
1	1	DEVICENET CABLE	TPE JACKET	GRAY

SD RELEASE	8/5/09	DESCRIPTION
	EC NO: WNA2010-0076	
	DRWN: VOU	
	CHKD: BWOODMAN	
	APPR: JFMURPHY	2009/08/10
A		

QUALITY SYMBOLS	GENERAL TOLERANCES (UNLESS SPECIFIED)	
	mm	INCH
▽=0	4 PLACES ±---	±---
▽C=0	3 PLACES ±---	±.005
	2 PLACES ±---	±.010
	1 PLACE ±---	±.020
	ANGULAR ±1/2°	
	DRAFT WHERE APPLICABLE MUST REMAIN WITHIN DIMENSIONS	

DIMENSION STYLE		SCALE	DESIGN UNITS	THIRD ANGLE PROJECTION
IN/MM		3:4	INCH	
DRAWN BY	DATE	TITLE		
VOU	2009/07/30	M12 DEVICENET CABLE ASSY		
CHECKED BY	DATE	5P MALE/FEM ST/90		
BWOODMAN	2009/07/31	#22/2 24/2 TPE -THIN FLX		
APPROVED BY	DATE	MOLEX INCORPORATED		
		MOLEX		
MATERIAL NO.	DOCUMENT NO.	SHEET NO.		
	SD-130028-005	1 OF 1		
SIZE	THIS DRAWING CONTAINS INFORMATION THAT IS PROPRIETARY TO MOLEX INCORPORATED AND SHOULD NOT BE USED WITHOUT WRITTEN PERMISSION			
A	SEE CHART			

6

5

4

3

2

1