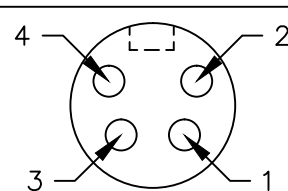
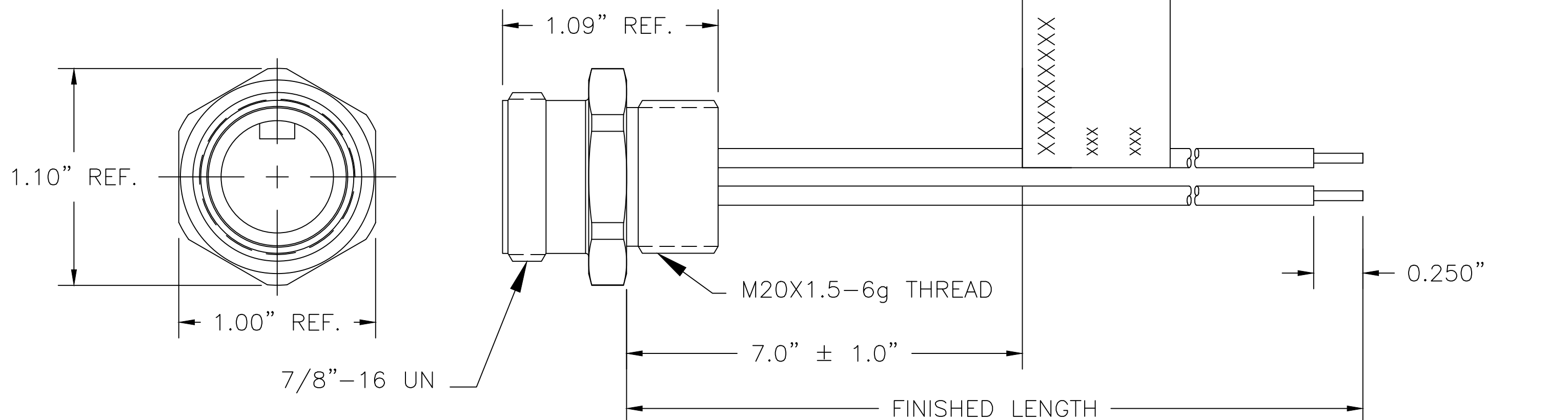


MALE FACE VIEW COLOR ROTATION



- 1 BLUE
- 2 BROWN
- 3 GRAY
- 4 NOT USED (FOR GN/YE OPTION SEE SHEET 2)



NOTES:

MATERIALS:

RECEPTACLE SHELL: STAINLESS STEEL OR NI PLATED BRASS
 CONTACTS: GOLD/NICKEL OVER COPPER ALLOY
 INSERT: BLACK PVC
 CONDUCTOR INSULATION: PVC (SEE PINOUT FOR COLORS)

ELECTRICAL:

CURRENT RATING: 5.6AMP MAX (WITHOUT GN/YE WIRE)
 7AMP MAX (WITH GN/YE WIRE)
 VOLTAGE RATING: 300V

MECHANICAL:

TEMPERATURE RANGE: -20° TO 105°C
 INGRESS PROTECTION: IP 67

AGENCY CERTIFICATIONS:

AGENCY: CSA PENDING

MATERIAL NUMBER REFERENCE:

MATERIAL NUMBER	CONFIGURABLE PART NUMBER	FINISHED LENGTH	SHELL MATERIAL	GAUGE
1300400015	1R4M36A42M0058	0.5 METERS	316 STAINLESS STEEL	18/3AWG
1300400012	1R4M36A42M005	0.5 METERS	NI PLATED BRASS	18/3AWG

*PLEASE CALL TECHNICAL SUPPORT TO REQUEST VARIATIONS

HEX DIM TO 1" EC NO: WNA2011-0319 DRWN: LHARTMAN 12/8/10 CHKD: TWOLDEGE APPR: JFMURPHY 2008/10/27	QUALITY SYMBOL	GENERAL TOLERANCES (UNLESS SPECIFIED)	DIMENSION STYLE	SCALE	DESIGN UNITS	THIRD ANGLE PROJECTION
	▽=0	mm INCH	IN	2:1	INCH	
	∇=0	4 PLACES ±--- ±---	DRAWN BY DATE	MINI-CHANGE RECEPTACLE 4 POLE MALE M20X1.5 FF PVC WIRE LEADS		
		3 PLACES ±--- ±---	LHARTMAN 2008/10/27			
	2 PLACES ±--- ±---	CHECKED BY DATE	MOLEX INCORPORATED			
	1 PLACE ±--- ±---	VOU 2008/10/27				
	ANGULAR ±---°	APPROVED BY DATE	SD-130040-003			
	DRAFT WHERE APPLICABLE MUST REMAIN WITHIN DIMENSIONS	JFMURPHY 2008/10/27				
		MATERIAL NO.	THIS DRAWING CONTAINS INFORMATION THAT IS PROPRIETARY TO MOLEX INCORPORATED AND SHOULD NOT BE USED WITHOUT WRITTEN PERMISSION			
		SEE TABLE				
		SIZE C	SHEET NO. 1 OF 2			

Engineering Part Number Matrix

Please call technical support to request cordset variations

1 R 4 0 0 0 A 4 2 M 0 2 0 8

Product Family
1st digit:
 1 = Mini-Change
 7/8" mating
 thread
2nd digit:
 R = receptacle

Pole Count
 4 = 4 pole

Receptacle Style
 000 = Female front mount
 1/2" NPT thread
 006 = Male front mount
 1/2" NPT thread
 M36 = Male front mount
 M20 X 1.5 thread

Wire Style
 A40 = #18AWG wires
 Color Rotation:
 blue, brown, gray, green/yellow
 A42 = #18AWG wires
 Color Rotation:
 blue, brown, gray, not used

Units
 M = Meters

Length
 020 = 2 Meters
 010 = 1 Meter
 100 = 10 Meters
 001 = 0.1 Meters

Shell Material
 Blank = Nickel Plated
 Brass
 8 = 316 Stainless
 Steel

UPDATE PER JM EC NO: WNA2011-0319 DRWN: LHARTMAN 12/8/10 CH'KD: TWOLDEGE APPR: JFMURPHY 2008/10/27	QUALITY SYMBOL ▽=0 ∇=0	GENERAL TOLERANCES (UNLESS SPECIFIED)		DIMENSION STYLE IN		SCALE 2:1	DESIGN UNITS INCH	THIRD ANGLE PROJECTION		
			mm	INCH	DRAWN BY	DATE	TITLE MINI-CHANGE RECEPTACLE 4 POLE MALE M20X1.5 FF PVC WIRE LEADS			
		4 PLACES	±---	±---	LHARTMAN	2008/10/27				
					CHECKED BY	DATE	MOLEX INCORPORATED			
3 PLACES	±---	±---	VOU	2008/10/27						
			APPROVED BY	DATE	MATERIAL NO. SEE SHEET 1		DOCUMENT NO. SD-130040-003		SHEET NO. 2 OF 2	
2 PLACES	±---	±---	JFMURPHY	2008/10/27						
			ANGULAR ±---°		THIS DRAWING CONTAINS INFORMATION THAT IS PROPRIETARY TO MOLEX INCORPORATED AND SHOULD NOT BE USED WITHOUT WRITTEN PERMISSION					
1 PLACE	±---	±---	DRAFT WHERE APPLICABLE MUST REMAIN WITHIN DIMENSIONS							