

PART NUMBER LEGEND

CR4000A30M0108

POLES

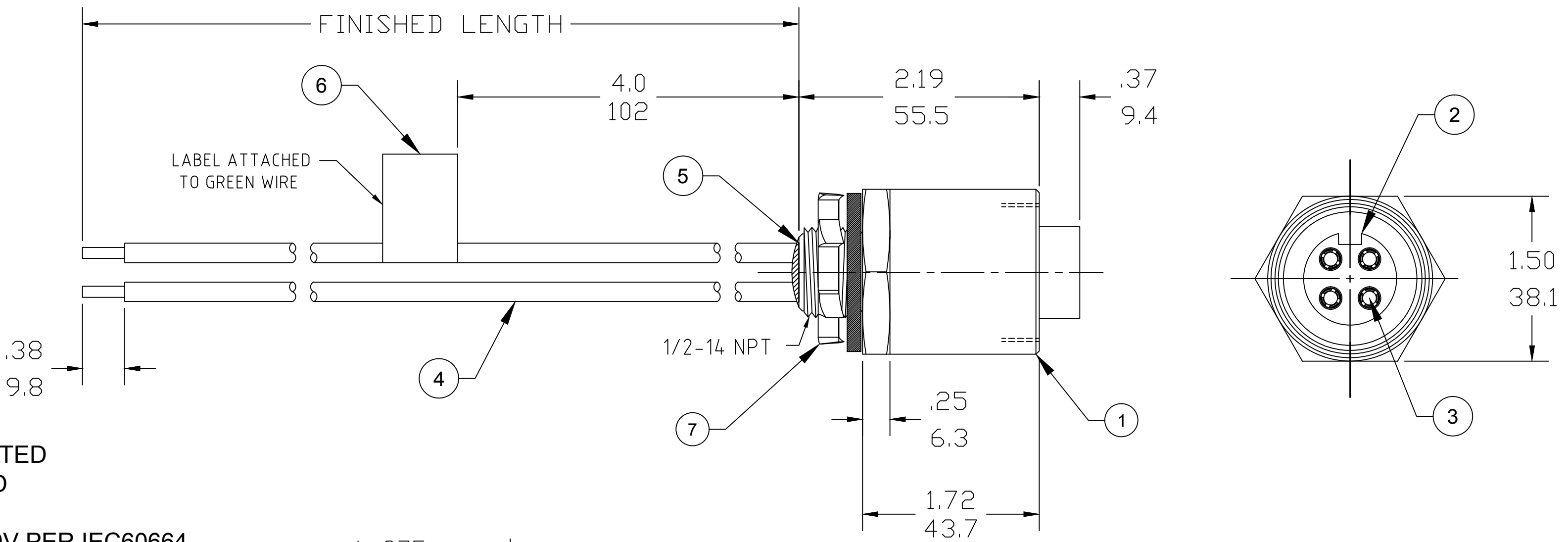
SS SHELL

WIRE TYPE
10 AWG PVC

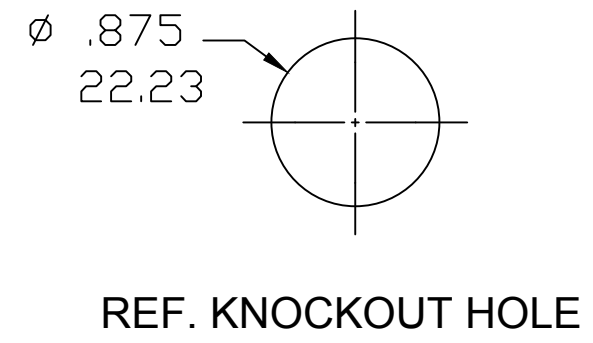
FINISHED LENGTH:
M005= 0.5 METER
M010= 1 METER
M100= 10 METER

CABLE LENGTH TOLERANCES

>.3M [1FT]:	+19mm-0 [+ .75in-0]
.3 - .9M [1 - 3FT]:	+44.5mm-0 [+1.75in-0]
.9 - 1.8M [3 - 6FT]:	+55.6mm-0 [+2.19in-0]
1.8 - 3.7M [6 - 12FT]:	+88.9mm-0 [+3.50in-0]
3.7 - 7.3M [12 - 24FT]:	+165.1mm-0 [+6.50in-0]
7.3-14.6M [24 - 48FT]:	+317.5mm-0 [+12.50in-0]
14.6 - 30.5M [48-100FT]:	+622.3mm-0 [+24.50in-0]
OVER 30M [100FT]	+2% OF FINISHED LENGTH



- NOTES:**
- MATERIAL: AS NOTED
 - FINISH: AS NOTED
 - ELECTRICAL:
VOLTAGE: 3P: 630V PER IEC60664
4P: 500V PER IEC60664
600V PER UL2237
CURRENT: 32A
 - TEMP RATING: -20°TO +90°C
 - PROTECTION: IP67 (WHEN MATED)
 - COUPLING THREAD: 1 3/8-16UN
 - UL LISTED FILE: E258922
 - ALL DIMS ARE FOR REFERENCE UNLESS NOTED OTHERWISE



PART NO.	ENGINEERING NO.	FINISHED LENGTH	POLES
1300660112	CR3000A30M0108	1.0M (3FT 3IN)	3
1300660155	CR4000A30M0108	1.0M (3FT 3IN)	4
1300660161	CR4000A30M0208	2.0M (6FT 7IN)	4

ITEM	DESCRIPTION	MATERIAL	FINISH
7	LOCK-NUT	STEEL	ZINC PLATED
6	FLAG LABEL	VINYL	BLACK/YELLOW
5	POTTING MATERIAL	EPOXY	
4	WIRE, 10 AWG UL 1015 (B)	PVC INSULATION	SEE FACE VIEW
3	CONTACT SOCKET	COPPER ALLOY	GOLD PLATED
2	FEMALE INSERT	PVC	BLACK
1	RECEPTACLE SHELL	ST. STEEL	PASSIVATED

UL 1015 WAS THHN	EC NO: ICG2019-0200	DRWN: JCAPPOZZ 2018/12/04	CHKD: ---	APPR: BWOODMAN2017/10/04
REV	DESCRIPTION			
B				

QUALITY SYMBOL	GENERAL TOLERANCES (UNLESS SPECIFIED)	
	mm	INCH
▽=0	4 PLACES ±---	±---
▽=0	3 PLACES ±---	±---
	2 PLACES ±---	±---
	1 PLACE ±---	±---
	ANGULAR ±---°	
	DRAFT WHERE APPLICABLE MUST REMAIN WITHIN DIMENSIONS	

DIMENSION STYLE	
IN/MM	
DRAWN BY	DATE
RSTONE	2017/09/14
CHECKED BY	DATE
M ZIELIN	----
APPROVED BY	DATE
BWOODMAN	2017/10/04
MATERIAL NO.	SEE CHART
SIZE	C

SCALE	DESIGN UNITS	THIRD ANGLE PROJECTION	
---	INCH		
QUICK CHANGE RECEPTACLE FEMALE, 3 & 4 POLE 10 AWG, SS			
MOLEX INCORPORATED		DOCUMENT NO.	SHEET NO.
		SD-130066-083	1 OF 1
THIS DRAWING CONTAINS INFORMATION THAT IS PROPRIETARY TO MOLEX INCORPORATED AND SHOULD NOT BE USED WITHOUT WRITTEN PERMISSION			