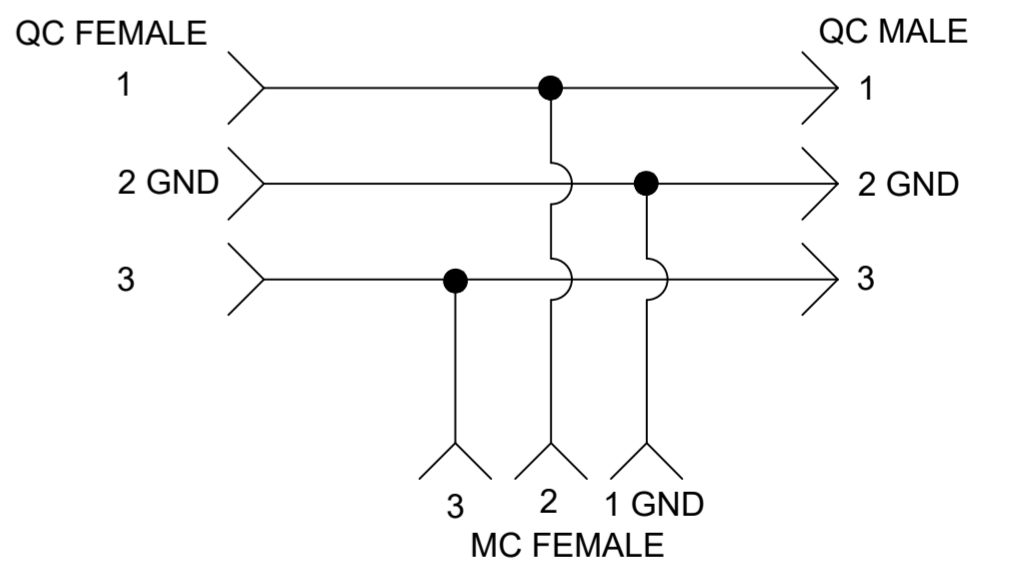
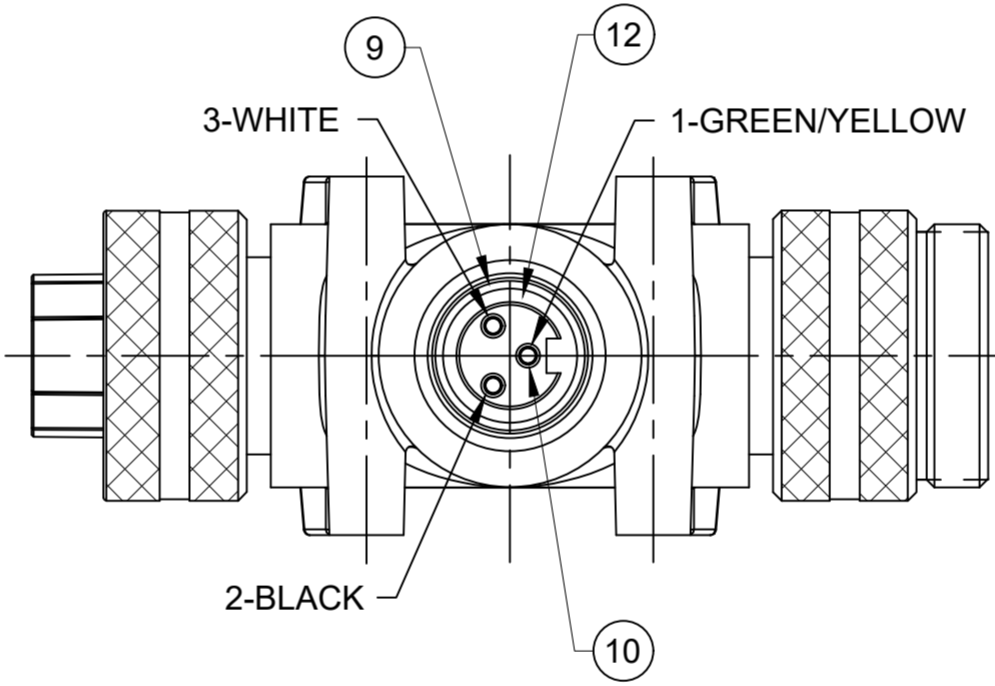
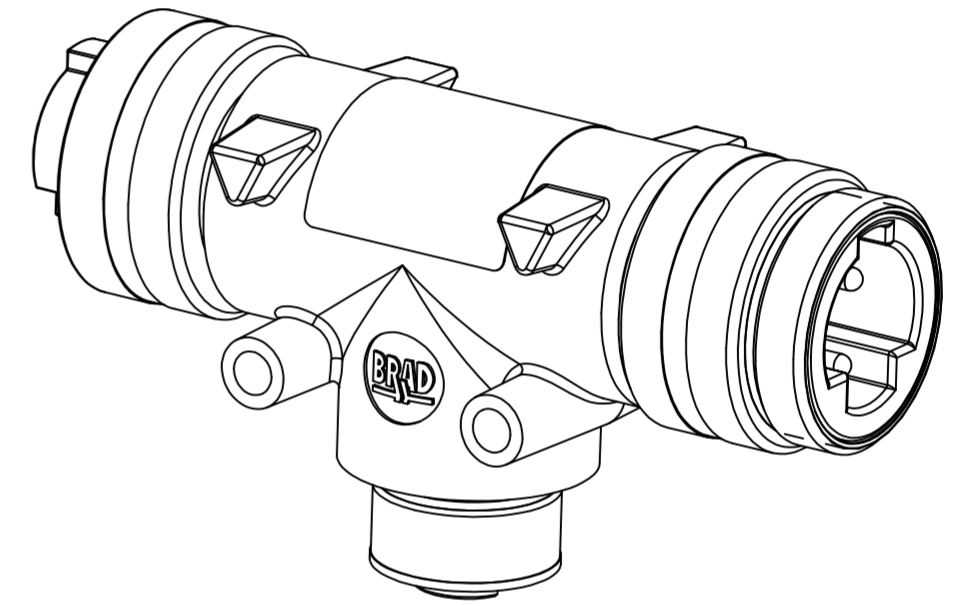
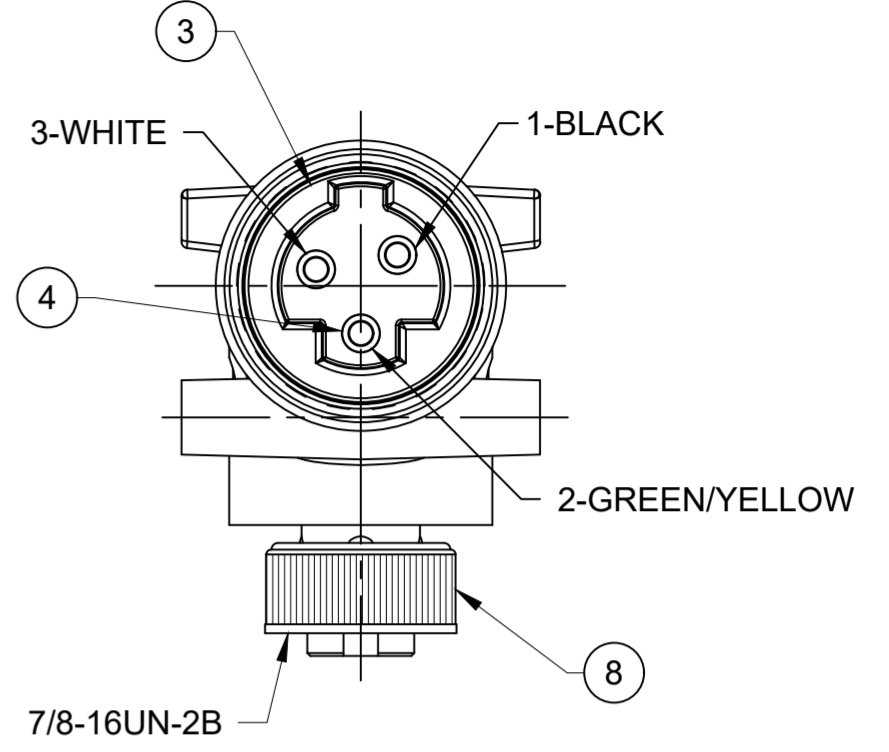
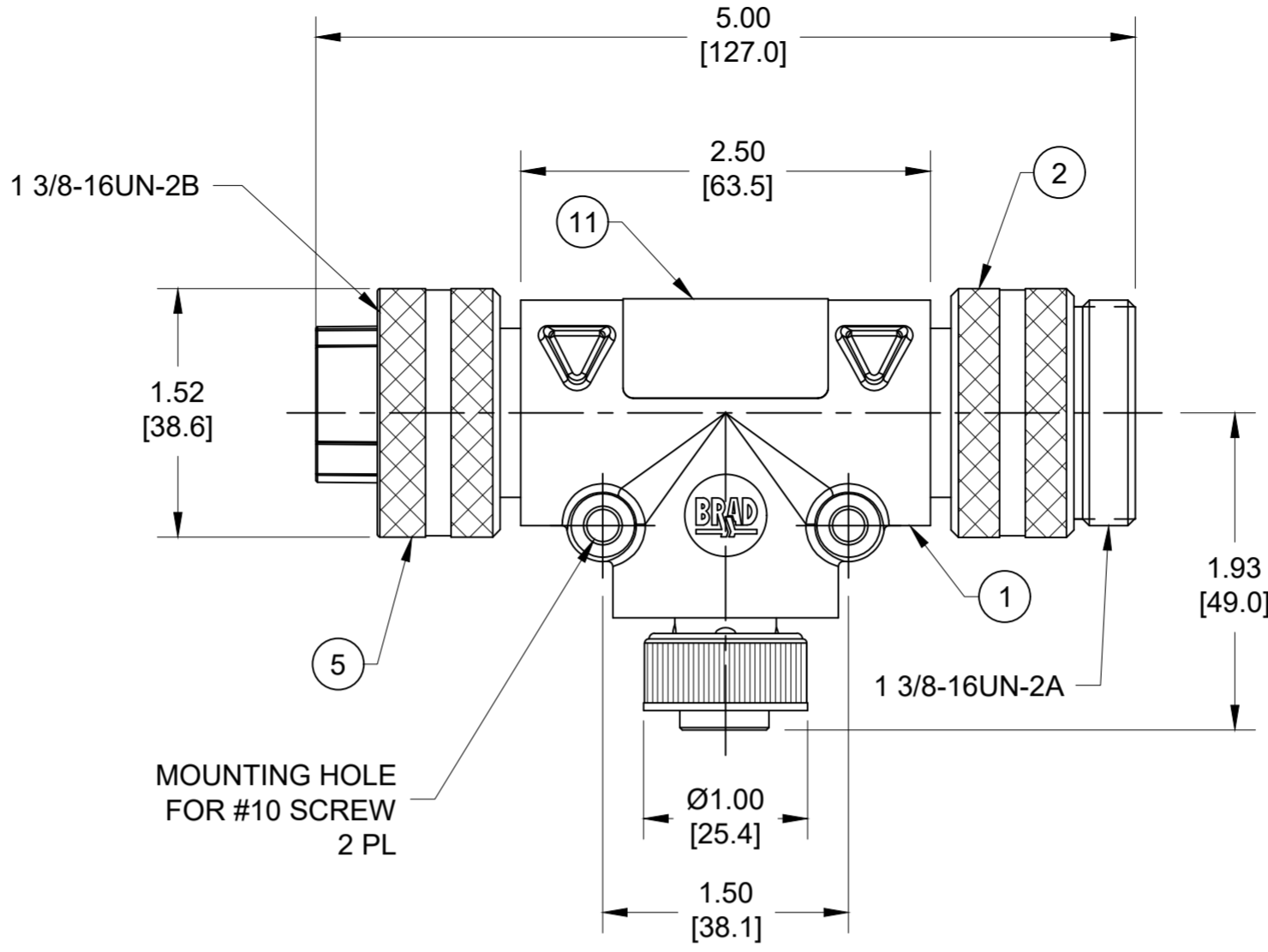
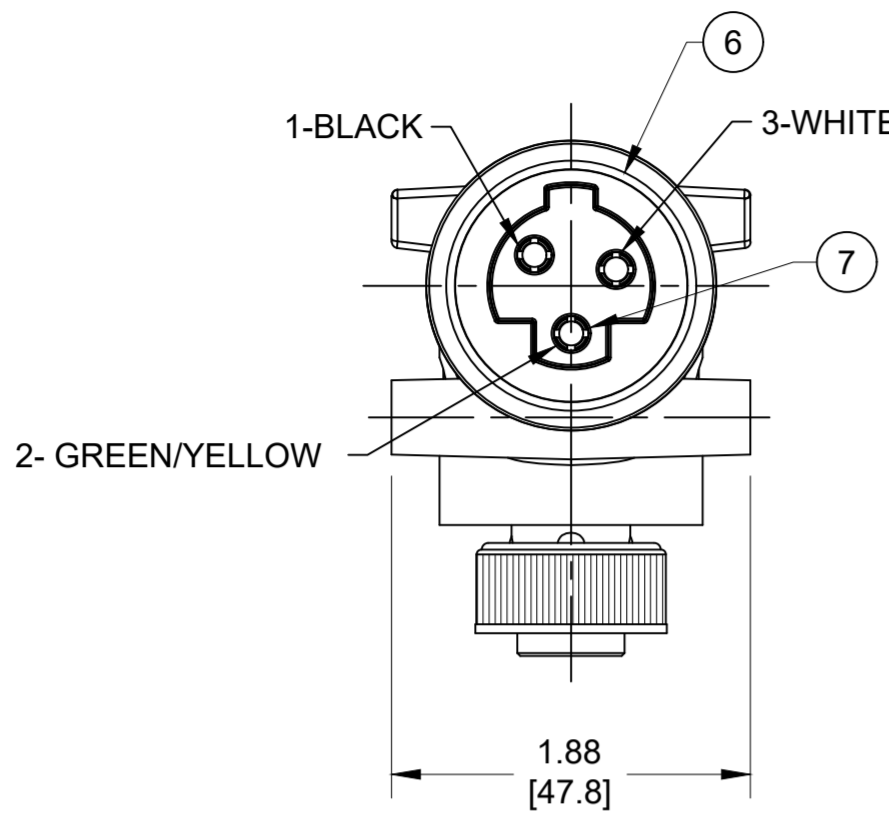


PART NUMBER	ENGINEERING NUMBER
1300680051	TC31130-200



WIRE DIAGRAM

- NOTES:
- MATERIAL: AS NOTED
 - FINISH: AS NOTED
 - ELECTRICAL:
VOLTAGE: 500V PER IEC60664
600V PER UL2237
CURRENT: 15A
 - TEMP RATING: -20° TO +105°C
 - PROTECTION: IP67 (WHEN MATED)
 - UL LISTED FILE: E258922
 - DIMENSIONS SHOWN ARE FOR REFERENCE UNLESS TOLERANCED OR NOTED OTHERWISE

12	FRICITION RING	NYLON	NATURAL	C
11	LABEL	POLYESTER	BLACK/ORANGE	
10	MC SOCKET CONTACT	COPPER ALLOY	GOLD PLATED	
9	MC FEMALE INSERT	TPE	BLACK	C
8	MC COUPLING NUT	ZINC ALLOY	BLACK E-COAT	
7	QC SOCKET CONTACT	COPPER ALLOY	GOLD PLATED	
6	QC FEMALE INSERT	TPE	BLACK	C
5	QC FEMALE COUPLING NUT	ALUMINUM	BLACK ANODIZE	
4	QC PIN CONTACT	COPPER ALLOY	GOLD PLATED	
3	QC MALE INSERT	TPE	BLACK	C
2	QC MALE COUPLING NUT	ALUMINUM	BLACK ANODIZE	
1	OVERMOLD	TPE	BLACK	C
ITEM	DESCRIPTION	MATERIAL	FINISH	

THIS DRAWING CONTAINS INFORMATION THAT IS PROPRIETARY TO MOLEX ELECTRONIC TECHNOLOGIES, LLC AND SHOULD NOT BE USED WITHOUT WRITTEN PERMISSION

FUNCTIONAL SYMBOLS: FA=0, FC=0, FP=0

DIMENSION UNITS: INCH/MM, SCALE: NTS

GENERAL TOLERANCES (UNLESS SPECIFIED): 4 PLACES ±--- ±---, 3 PLACES ±--- ±---, 2 PLACES ±--- ±---, 1 PLACE ±--- ±---, 0 PLACES ±--- ±---

ANGULAR TOL ± --- °

DRAFT WHERE APPLICABLE MUST REMAIN WITHIN DIMENSIONS

THIRD ANGLE PROJECTION

DRAWING: C-SIZE

SERIES: 130068

CURRENT REV DESC: ITEM# 1, 3, 6 & 9 WERE PVC. MODIFIED TEMP RATING. ADDED ITEM #12

EC NO: 664420

DRWN: ABENJAMINLW 2021/01/29

CHK'D: RSTONE 2021/05/19

APPR: BWOODMAN 2021/05/19

INITIAL REVISION:

DRWN: KJOZWIK 2010/01/13

APPR: JFMURPHY 2010/01/15

DOCUMENT NUMBER: SD-130068-007

DOC TYPE/DOC PART/REVISION: PSD 001 C

MATERIAL NUMBER: SEE CHART

CUSTOMER: GENERAL MARKET

SHEET NUMBER: 1 OF 1

moLEX

BRAD POWER

QC 3 POLE TEE W/3 POLE MC DROP

PRODUCT CUSTOMER DRAWING