

6

5

4

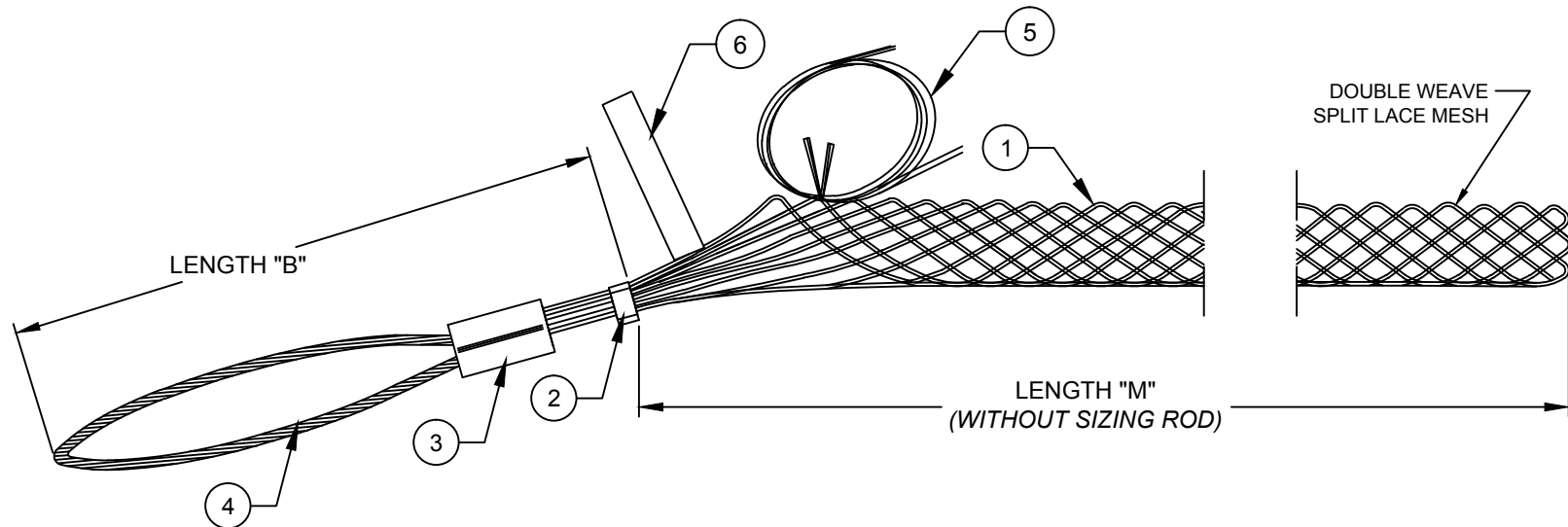
3

2

1

CATALOG NUMBER	MATERIAL NUMBER	CABLE RANGE	LENGTH "M"	LENGTH "B"	LACE LENGTH (2 REQUIRED)	BREAK STRENGTH* (LBS/N)	UL LISTED	CSA APPROVED	PRODUCT SELECTION NUMBER
36120	1300950240	.75-.99 / 19.1-25.1	13.00±1.50 / 330.2±38.1	7.00±1.00 / 177.8±25.4	41.0±1.0 / 1041±25	3000 / 13345	NO	YES	SSK075-1
36121	1300950241	1.00-1.24 / 25.4-31.5	16.00±2.00 / 406.4±50.8	8.00±1.00 / 203.2±25.4	49.0±2.0 / 1245±51	4100 / 18238			SSK100-1
36122	1300950242	1.25-1.49 / 31.8-37.8	17.00±2.00 / 431.8±50.8	8.00±1.00 / 203.2±25.4	52.0±2.0 / 1321±51	4100 / 18238			SSK125-1
36123	1300950243	1.50-1.74 / 38.1-44.2	18.00±2.00 / 457.2±50.8	9.00±1.00 / 228.6±25.4	54.0±2.0 / 1372±51	5500 / 24465			SSK150-1
36124	1300950244	1.75-1.99 / 44.5-50.5	19.00±2.00 / 482.6±50.8	10.00±1.00 / 254.0±25.4	58.0±2.0 / 1473±51	7300 / 32472			SSK175-1
36125	1300950245	2.00-2.49 / 50.8-63.2	20.00±2.00 / 508.0±50.8	10.00±1.00 / 254.0±25.4	70.0±2.0 / 1778±51	7300 / 32472			SSK200-1
36126	1300950246	2.50-2.99 / 63.5-75.9	21.00±2.50 / 533.4±63.5	10.00±1.00 / 254.0±25.4	73.0±2.0 / 1854±51	7300 / 32472			SSK250-1
36127	1300950247	3.00-3.49 / 76.2-88.6	22.00±2.50 / 558.8±63.5	12.00±1.00 / 304.8±25.4	76.0±2.0 / 1930±51	9200 / 40924			SSK300-1
36128	1300950248	3.50-3.99 / 88.9-101.3	23.00±2.50 / 584.2±63.5	12.00±1.00 / 304.8±25.4	80.0±2.0 / 2032±51	11000 / 48930			SSK350-1

* TO DETERMINE RECOMMENDED WORKING LOAD, DIVIDE BREAK STRENGTH BY 5.



ITEM	DESCRIPTION	MATERIAL
1	WIRE MESH	GALVANIZED STEEL
2	CRIMP CONNECTOR	ALUMINUM
3	FERRULE	ALUMINUM
4	BALE WIRE	STAINLESS STEEL
5	LACE	GALVANIZED STEEL
6	LABEL	MYLAR

REV	DESCRIPTION
A	RELEASE SALES DRAWING EC NO: IPC2015-1861 DRWN: HRUIZ01 2014/09/05 CHKD: HKNEELAN 2014/09/05 APPR: JFMURPHY 2016/09/09

QUALITY SYMBOLS	GENERAL TOLERANCES (UNLESS SPECIFIED)
$\nabla = 0$	
$\nabla C = 0$	
	mm
	INCH
	4 PLACES ±---
	3 PLACES ±---
	2 PLACES ±.13 ±.010
	1 PLACE ±.25 ±.020
	ANGULAR ±1/2°
	DRAFT WHERE APPLICABLE MUST REMAIN WITHIN DIMENSIONS

DIMENSION STYLE	SCALE	DESIGN UNITS	THIRD ANGLE PROJECTION
INCH/MM	NTS	INCH	
DRAWN BY DATE	TITLE		
HRUIZ01 2014/09/05	PULLING GRIPS HEAVY DUTY-SLACK EYE DOUBLE WEAVE SPLIT LACE		
CHECKED BY DATE	MOLEX MOLEX INCORPORATED		
HKNEELAN 2014/09/05	MATERIAL NO. SD-130095-114		
APPROVED BY DATE	DOCUMENT NO. SD-130095-114		
JFMURPHY 2016/09/09	SHEET NO. 1 OF 1		
SIZE A	THIS DRAWING CONTAINS INFORMATION THAT IS PROPRIETARY TO MOLEX INCORPORATED AND SHOULD NOT BE USED WITHOUT WRITTEN PERMISSION		

6

5

4

3

2

1