

SECTION A-A

MATERIAL NO.	OLD PART NO.	THREAD SIZE	CABLE DIA. RANGE	A	B	C	ITEM 1 COLOR	ITEM 2 MATERIAL	ITEM 2 COLOR	ITEM 3 MATERIAL	ITEM 4 MATERIAL	ITEM 4 COLOR
1300980235	5620	3/4" NPT	.187-.250 / 4.75-6.35	1.38 / 35.1	1 / 14-14	1.69 / 42.9	GRAY	NITRILE	ORANGE	HDPE	NYLON	GRAY
1300980236	5622		.250-.375 / 6.35-9.53						GRAY			
1300980225	5624		.375-.437 / 9.53-11.10						GREEN			
1300980096	5536		.437-.562 / 11.10-14.27						BLACK			
1300980103	5538		.500-.625 / 12.70-15.87						GRAY			
1300980112	5540		.562-.687 / 14.27-17.45						GREEN			
1300980118	5542		.625-.750 / 15.87-19.05						ORANGE			
1300980126	5544		.687-.812 / 17.44-20.62						YELLOW			

- NOTES:
 1. MATERIAL: SEE TABLE
 2. FINISHES: SEE TABLE
 3. NEMA RATING: NEMA 3R
 4. RoHS COMPLIANT: YES

OLD DOCUMENT NO. SD-130098-003

THIS DRAWING CONTAINS INFORMATION THAT IS PROPRIETARY TO MOLEX ELECTRONIC TECHNOLOGIES, LLC AND SHOULD NOT BE USED WITHOUT WRITTEN PERMISSION											
SYMBOLS		DIMENSION UNITS		SCALE		CURRENT REV DESC: MIGRATION TO ECTR/NX					
= 0		INCH/MM		NTS		<p>EC NO: 630126 DRWN: PPURSUTANDEL 2019/12/03 CHK'D: ALEON01 2020/05/21 APPR: HKNEELAND 2020/05/22</p> <p>INITIAL REVISION: DRWN: R.STONE 2009/02/23 APPR: J. MURPHY 2009/03/03</p>					
= 0		GENERAL TOLERANCES (UNLESS SPECIFIED)									
= 0		MM		INCH							
= 0		4 PLACES ±		±							
= 0		3 PLACES ±		±							
= 0		2 PLACES ±		± 0.01							
= 0		1 PLACE ±		± 0.3							
= 0		0 PLACES ±		±							
= 0		ANGULAR TOL ± 0.5 °				THIRD ANGLE PROJECTION		DRAWING		SERIES	
= 0		DRAFT WHERE APPLICABLE MUST REMAIN WITHIN DIMENSIONS				C-SIZE		130098		MATERIAL NUMBER	
= 0		DOCUMENT STATUS		P1		RELEASE DATE		2020/05/22 15:08:54		CUSTOMER	

molex

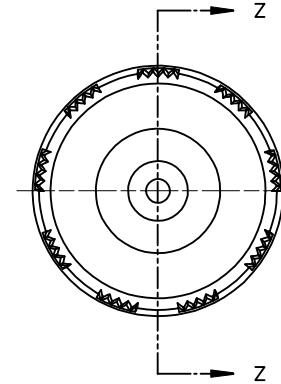
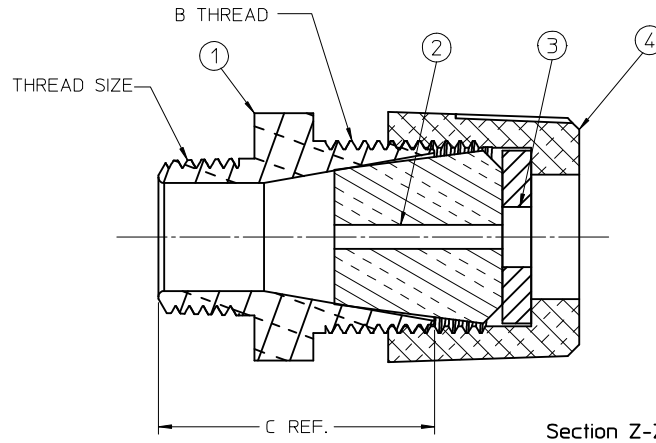
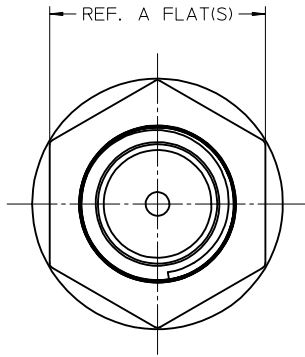
MAX-LOC F3 3/4 (.187-.250)

PRODUCT CUSTOMER DRAWING

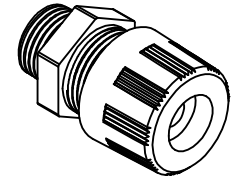
DOCUMENT NUMBER: 1300980235 | DOC TYPE: PSD | DOC PART: 000 | REVISION: A2

MATERIAL NUMBER: SEE TABLE | CUSTOMER: GENERAL MARKET | SHEET NUMBER: 1 OF 1

ITEM	DESCRIPTION	MATERIAL	FINISH	QTY.
1	STRAIGHT MALE BODY	NYLON	SEE TABLE	1
2	GROMMET	SEE TABLE	SEE TABLE	1
3	COMPRESSION RING	SEE TABLE	NATURAL (WHITE)	1
4	COMPRESSION NUT	SEE TABLE	SEE TABLE	1



VIEW SCALE: 1:1



MATERIAL NO.	OLD PART NO.	THREAD SIZE	CABLE DIA. RANGE	A	B	C	ITEM 1 COLOR	ITEM 2 MATERIAL	ITEM 2 COLOR	ITEM 3 MATERIAL	ITEM 4 MATERIAL	ITEM 4 COLOR
1300980024	5398	1/4" NPT	.075-.135 / 1.91-3.43	.69 / 17.5	1/2-18	.92 / 23.4	GRAY	NITRILE	BLACK	NYLON	NYLON	GRAY
1300980025	5400		.135-.200 / 3.43-5.08						GRAY			
1300980026	5402		.200-.265 / 5.08-6.73						GREEN			
1300980027	5500	3/8" NPT	.125-.187 / 3.18-4.75	1.00 / 25.4	7/8-14	1.25 / 31.8	GRAY	NITRILE	YELLOW	HDPE	NYLON	GRAY
1300980029	5502		.187-.250 / 4.75-6.35						ORANGE			
1300980031	5504		.250-.312 / 6.35-7.92						BLACK			
1300980032	5506		.312-.375 / 7.92-9.53						GRAY			
1300980034	5508		.375-.437 / 9.53-11.10						GREEN			
1300980036	5518	1/2" NPT	.062-.125 / 1.57-3.18	1.13 / 28.7	1"-14	1.44 / 36.6	GRAY	NITRILE	BLACK	HDPE	NYLON	GRAY
1300980041	5520		.125-.187 / 3.18-4.75						YELLOW			
1300980046	5522		.187-.250 / 4.75-6.35						ORANGE			
1300980052	5524		.250-.312 / 6.35-7.92						BLACK			
1300980061	5526		.312-.375 / 7.92-9.53						GRAY			
1300980069	5528		.375-.437 / 9.53-11.10						GREEN			
1300980076	5530		.437-.500 / 11.10-12.70						ORANGE			
1300980082	5532		.500-.562 / 12.70-14.27						BLACK			
1300980235	5620	3/4" NPT	.187-.250 / 4.75-6.35	1.38 / 35.1	1 1/4-14	1.69 / 42.9	GRAY	NITRILE	ORANGE	HDPE	NYLON	GRAY
1300980236	5622		.250-.375 / 6.35-9.53						GRAY			
1300980225	5624		.375-.437 / 9.53-11.10						GREEN			
1300980096	5536		.437-.562 / 11.10-14.27						BLACK			
1300980103	5538		.500-.625 / 12.70-15.87						GRAY			
1300980112	5540		.562-.687 / 14.27-17.45						GREEN			
1300980118	5542		.625-.750 / 15.87-19.05						ORANGE			

NOTES:

1. MATERIAL: SEE TABLE
2. FINISHES: SEE TABLE
3. NEMA RATING: NEMA 3R
4. RoHS COMPLIANT: YES

4	1	COMPRESSION NUT	SEE CHART	SEE CHART
3	1	COMPRESSION RING	SEE CHART	NATURAL (WHITE)
2	1	GROMMET	SEE CHART	SEE CHART
1	1	STRAIGHT MALE BODY	NYLON	SEE CHART
ITEM	QTY.	DESCRIPTION	MATERIAL	FINISH

RELEASED
EC NO: MNAZ009-0534
DRWRSTONE 2009/03/11
CHKDB WOODMAN
APPR: JF MURPHY 2009/04/17

QUALITY SYMBOLS
▽=0
▽=0

DESCRIPTION
A

GENERAL TOLERANCES (UNLESS SPECIFIED)

	mm	INCH
4 PLACES	± .005	± .0004
3 PLACES	± .005	± .0004
2 PLACES	± .010	± .0004
1 PLACE	± 0.3	± .012

ANGULAR ±1/2°

DRAFT WHERE APPLICABLE
MUST REMAIN
WITHIN DIMENSIONS

DIMENSION STYLE
IN/MM

DRAWN BY DATE
R. STONE 2009/02/23

CHECKED BY DATE
B. WOODMAN 2009/02/27

APPROVED BY DATE
J. MURPHY 2009/03/03

MATERIAL NO.
SEE CHART

SIZE
C

SCALE 2:1

DESIGN UNITS INCH

THIRD ANGLE PROJECTION

TITLE
MAX-LOC STRAIN RELIEF
CORD GRIP, STRAIGHT MALE
NO O-RING

MOLEX INCORPORATED

DOCUMENT NO. SD-130098-003

SHEET NO. 1 OF 1

THIS DRAWING CONTAINS INFORMATION THAT IS PROPRIETARY TO MOLEX INCORPORATED AND SHOULD NOT BE USED WITHOUT WRITTEN PERMISSION