

6

5

4

3

2

1

E

E

D

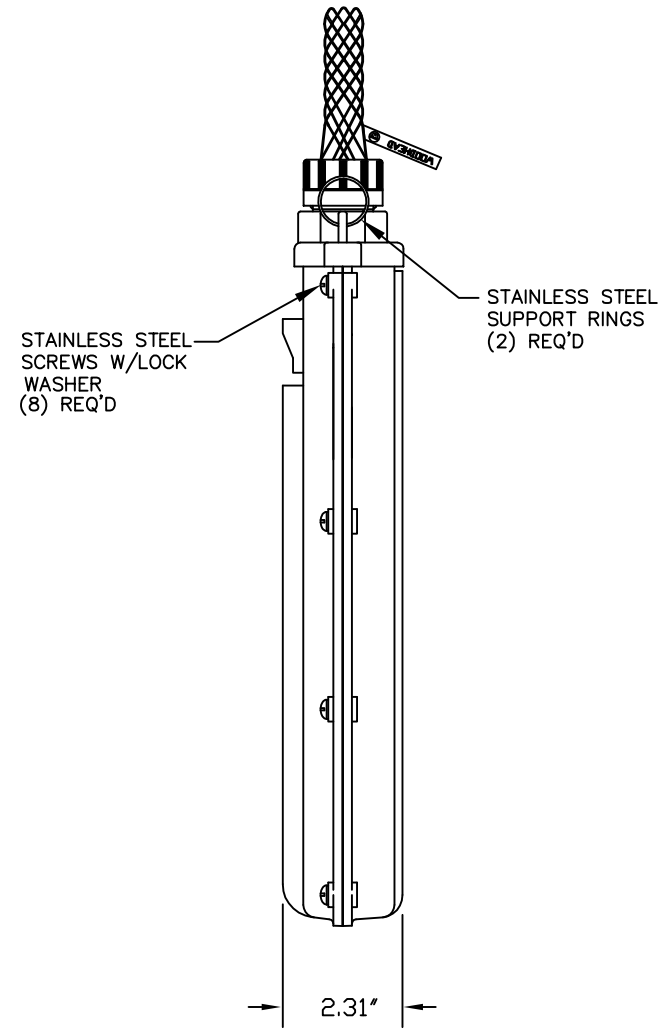
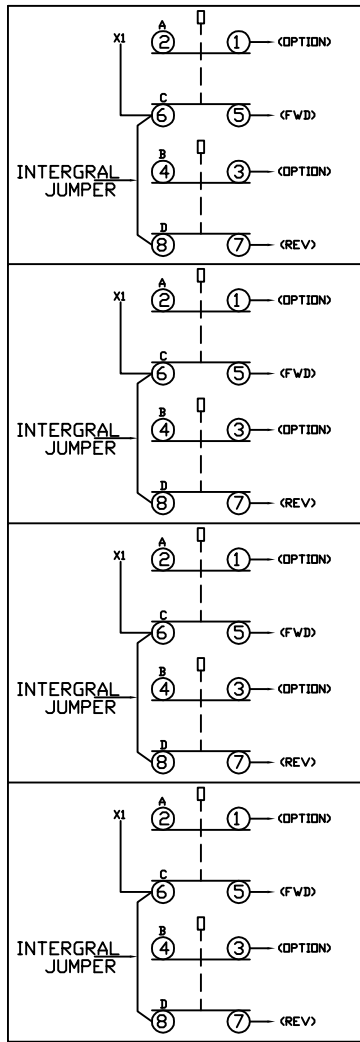
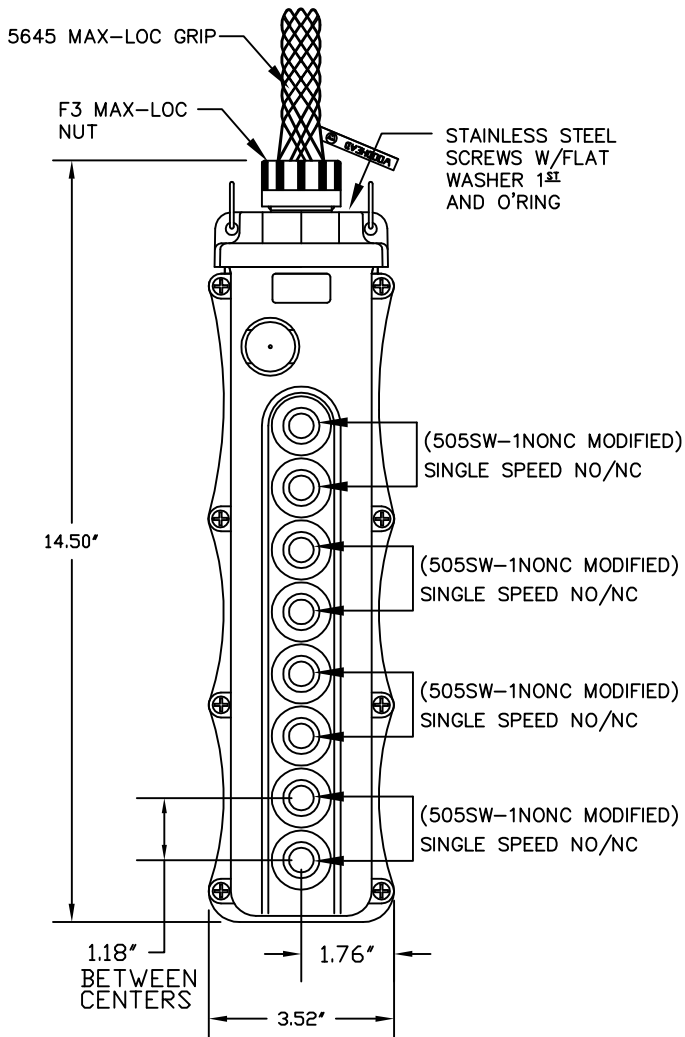
D

C

C

B

B



NOTES:

- 1. INSTALLATION INSTRUCTIONS, BUTTON ID. LABELS. ARE PACK WITH THE PART.
- 2. ALL BUTTONS ARE HIGH AMBIENT, CHEMICALLY RESISTANT MATERIAL - COLOR BLACK

ALL MECHANICAL INTER-LOCKS REMOVED

CUSTOMER APPROVAL DWG EC NO: WNA209-0656 DRWN: HKNEELAN 4/3/09 CHKD: HKNEELAN 2009/04/03 APPR: DTTIUS 2009/04/17	QUALITY SYMBOLS ▽=0 ▽C=0	GENERAL TOLERANCES (UNLESS SPECIFIED)		DIMENSION STYLE	SCALE	DESIGN UNITS	THIRD ANGLE PROJECTION		
			mm	INCH	INCH	NTS		INCH	
		4 PLACES	±----	±----	HKNEELAN	2009/04/03	TITLE		8 POS PENDANT W/ (4) 505SW-1NONC NO MECHANICAL INTERLOCK
		3 PLACES	±----	±.020	CHECKED BY	DATE	MOLEX INCORPORATED		
2 PLACES	±----	±.010	APPROVED BY	DATE	DOCUMENT NO.		SHEET NO. 1 OF 1		
1 PLACE	±----	±.005	DWILLIAM	2009/04/03	SD-130126-027				
ANGULAR ±5°		DRAFT WHERE APPLICABLE MUST REMAIN WITHIN DIMENSIONS		SIZE A	THIS DRAWING CONTAINS INFORMATION THAT IS PROPRIETARY TO MOLEX INCORPORATED AND SHOULD NOT BE USED WITHOUT WRITTEN PERMISSION				

6

5

4

3

2

1

A

A