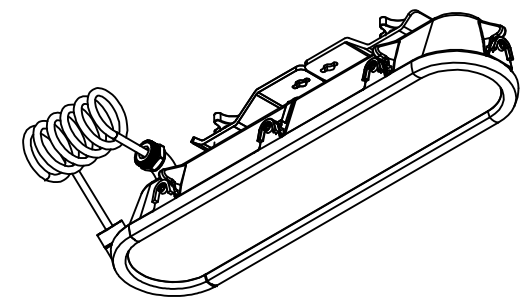
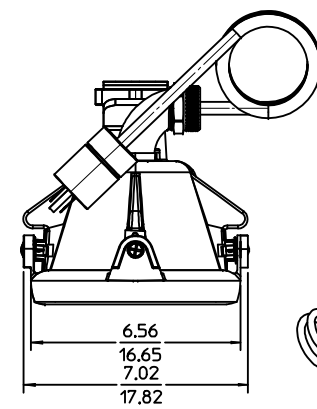
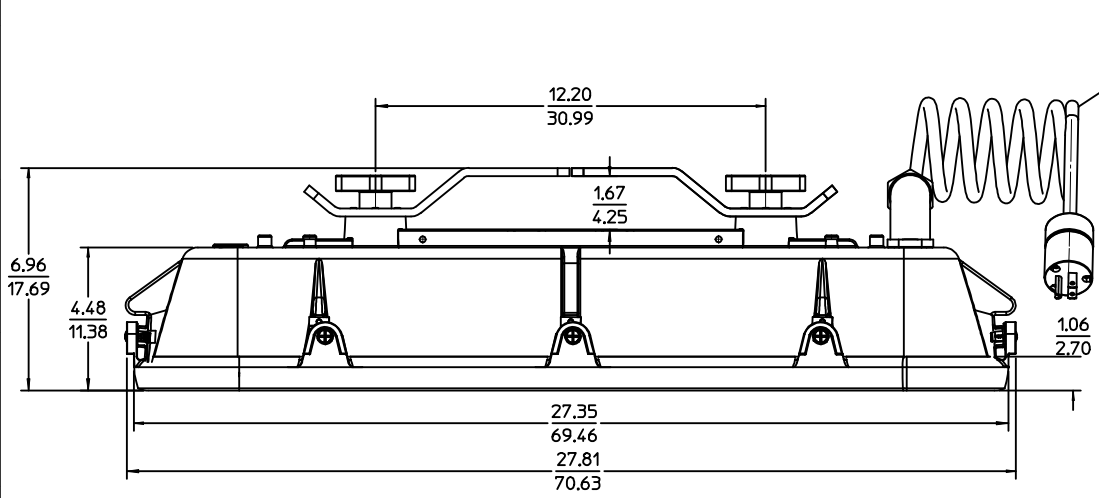


SAP PART #	ENGNRNG PART #	DESCRIPTION
1302430001	1075-HZ25A143	25' #14-3 SOOW, 5-15 WTT PLUG/CON.
1302430002	1075-HZ2NK143F	3' #14-3 SOOW FLYING LEADS
1302430003	1075-HZ2NK123F	3' #12-3 SOOW FLYING LEADS
1302430004	DELETED	
1302430005	1075-HZ25B143	X50' #14-3 SOOW, 5-15 WTT PLUG/CON.
1302430006	NOT USED	
1302430007	1075-HZ2XA143F	25' #14-3 SOOW, XP PLUG/CON.
1302430008	1075-HZ2XB143F	50' #14-3 SOOW, XP PLUG/CON.
1302430009	1075-HZ2XK123F	3' #12-3 SOOW, XP PLUG/CON.
1302430011	1075-HZ2F003123	3' #12-3 SOOW, FLYING INPUT
1302430013	1075-HZ2X050143	50' #14-3 SOOW, XP PLUG



- NOTES:
1. FIXTURE APPROVED FOR USE IN CLASS I DIVISION II, GROUPS B, C, & D HAZARDOUS LOCATIONS.
 2. TEMPERATURE CODE: TA3 (180 C)
 3. MAXIMUM/MINIMUM AMBIENT TEMPERATES: +40 C, -20 C.
 4. MATERIALS:

- HOUSING-CAST ALUMINUM
- LENS-POLYCARBONATE, WATER CLEAR, .125"
- LENS GASKET-SILICONE, RED
- BALLAST-ELECTRONIC, SUITABLE FOR 2-55 WATT BIAZ LAMPS, RATED 90 C.
- LAMPS- (2) PL-L55/841/B FLUORESCENT.
- LAMP HOLDER-SILICONE, RED.
- REFLECTOR-POLISHED ALUMINUM, ALZAK FINISH.
- 1/4 TURN FASTENERS-(8) CASE HARDENED STEEL BODY ZINC PLATE WITH BLACK CHROMATE & STAINLESS STEEL SPRING.

5. PRODUCT SPECIFICATION- PS-1300243-001

CHANGE CORD TO SOOW EC NO: JFG2013-1372 DRW: NPSWAGEL 2013/03/01 CHK: DHKNEELAN 2013/03/15 APPR: JF MURPHY 2013/04/29	QUALITY SYMBOLS ▽=0 ▽=0	GENERAL TOLERANCES (UNLESS SPECIFIED) <table border="1"> <tr> <th></th> <th>mm</th> <th>INCH</th> </tr> <tr> <td>4 PLACES ±</td> <td>---</td> <td>±---</td> </tr> <tr> <td>3 PLACES ±</td> <td>---</td> <td>±.006</td> </tr> <tr> <td>2 PLACES ±</td> <td>0.50</td> <td>±---</td> </tr> <tr> <td>1 PLACE ±</td> <td>---</td> <td>±---</td> </tr> </table>		mm	INCH	4 PLACES ±	---	±---	3 PLACES ±	---	±.006	2 PLACES ±	0.50	±---	1 PLACE ±	---	±---	DIMENSION STYLE IN/MM	SCALE 1:3	DESIGN UNITS INCH	THIRD ANGLE PROJECTION
			mm	INCH																	
4 PLACES ±	---	±---																			
3 PLACES ±	---	±.006																			
2 PLACES ±	0.50	±---																			
1 PLACE ±	---	±---																			
DRAFT WHERE APPLICABLE MUST REMAIN WITHIN DIMENSIONS		DRAWN BY MRK	DATE 10/16/08	TITLE ZONE II SALES DRAWING																	
REV B		APPROVED BY JP	DATE 10/17/08	MOLEX INCORPORATED																	
		MATERIAL NO. 1302430001	DOCUMENT NO. SD-130243-001	SHEET NO. 1 OF 1																	
THIS DRAWING CONTAINS INFORMATION THAT IS PROPRIETARY TO MOLEX INCORPORATED AND SHOULD NOT BE USED WITHOUT WRITTEN PERMISSION																					