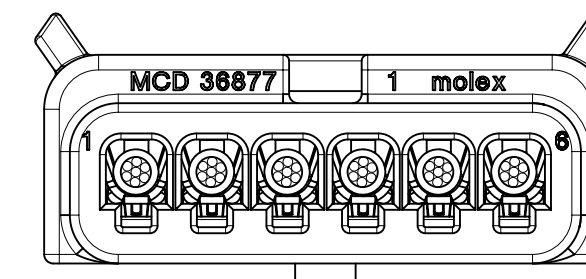


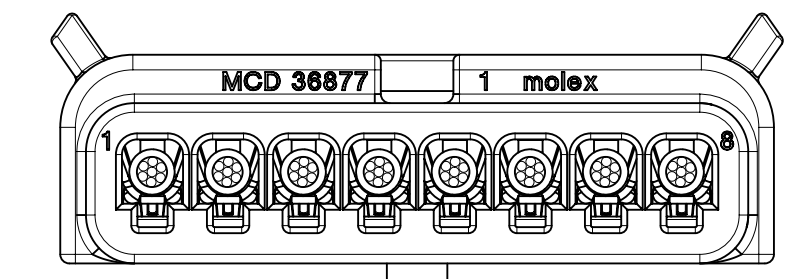
1502070003

CKT NO	WIRE COLOR
1	BLACK
2, 3 & 4	WHITE



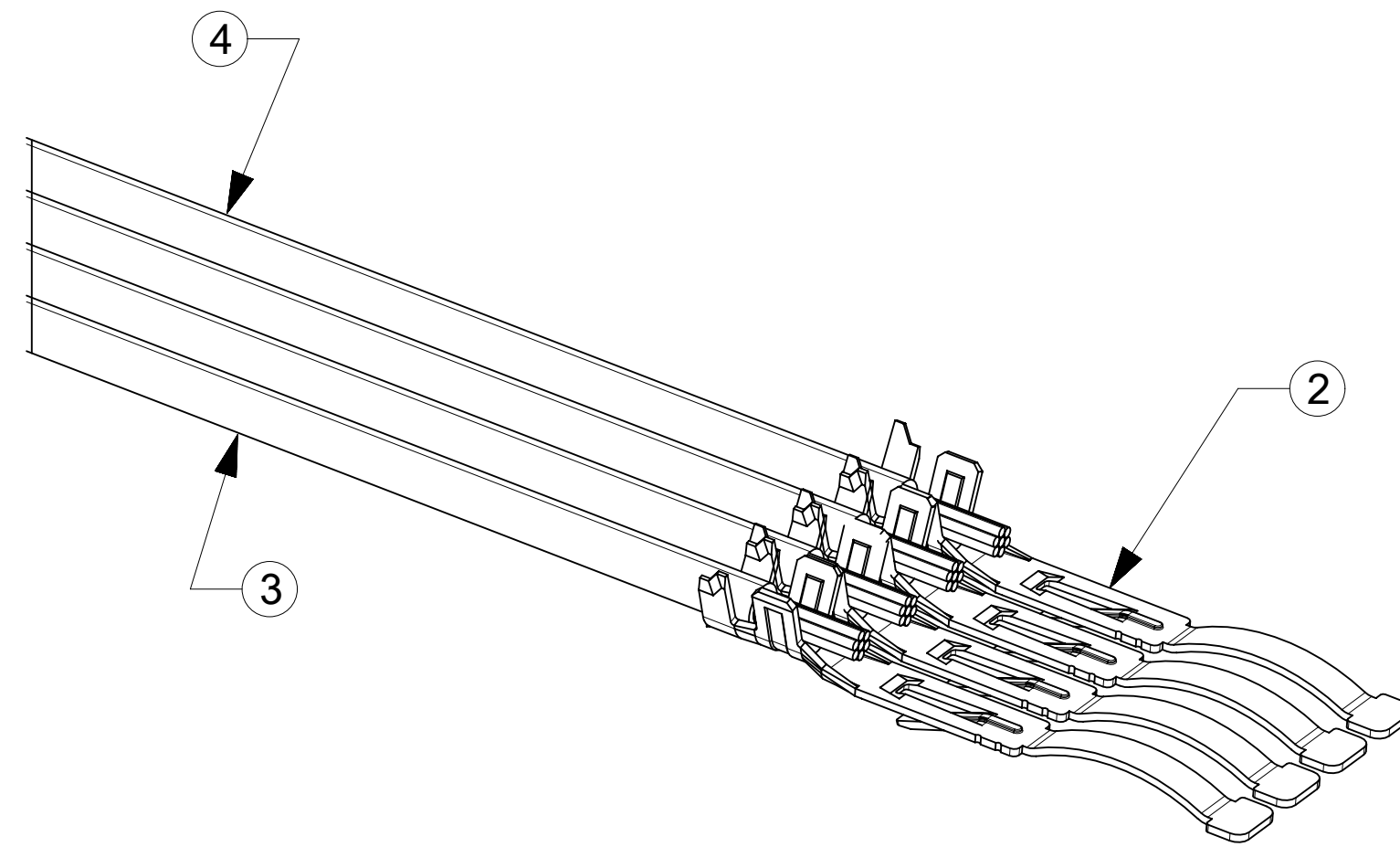
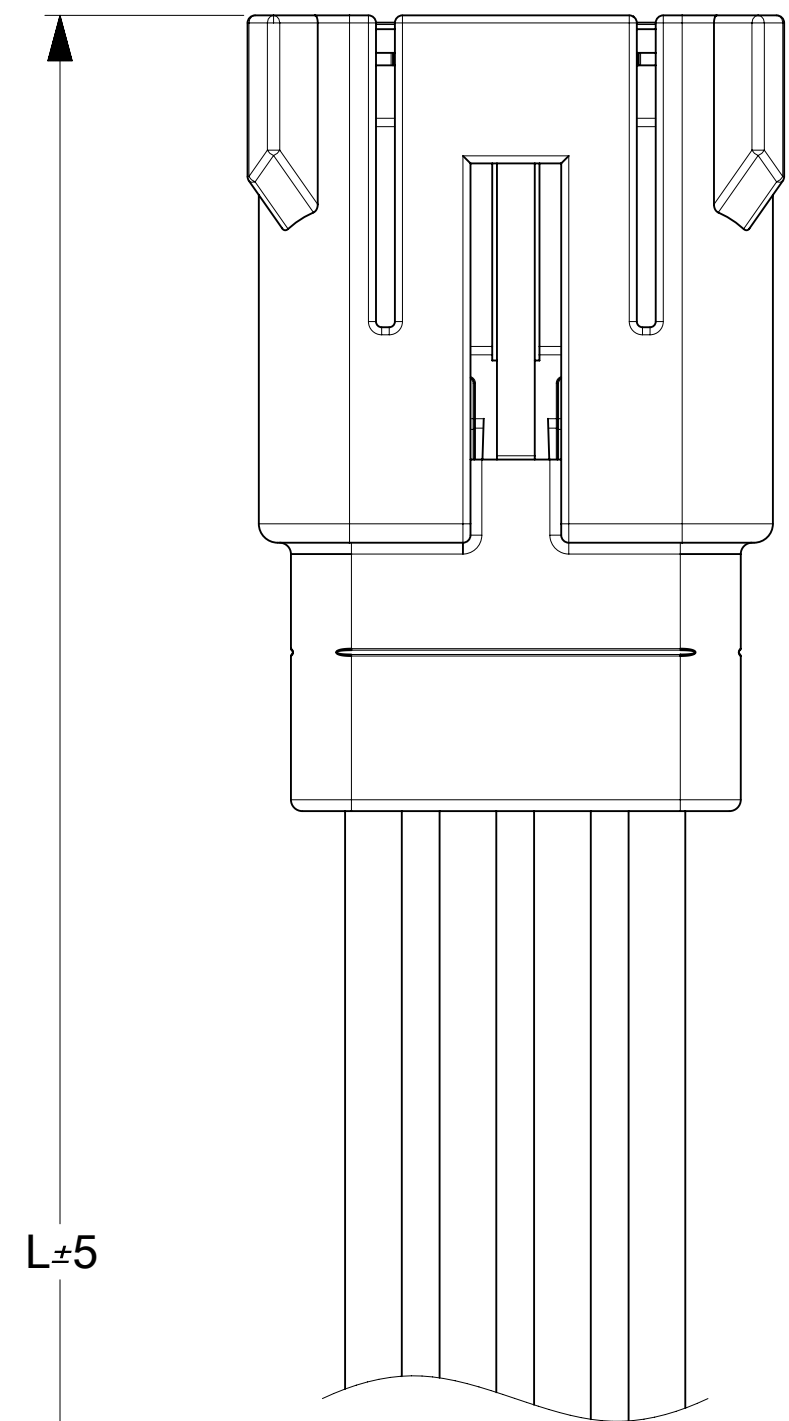
1502070005  
1502070012

CKT NO	WIRE COLOR
1	BLACK
2, 3, 4, 5 & 6	WHITE

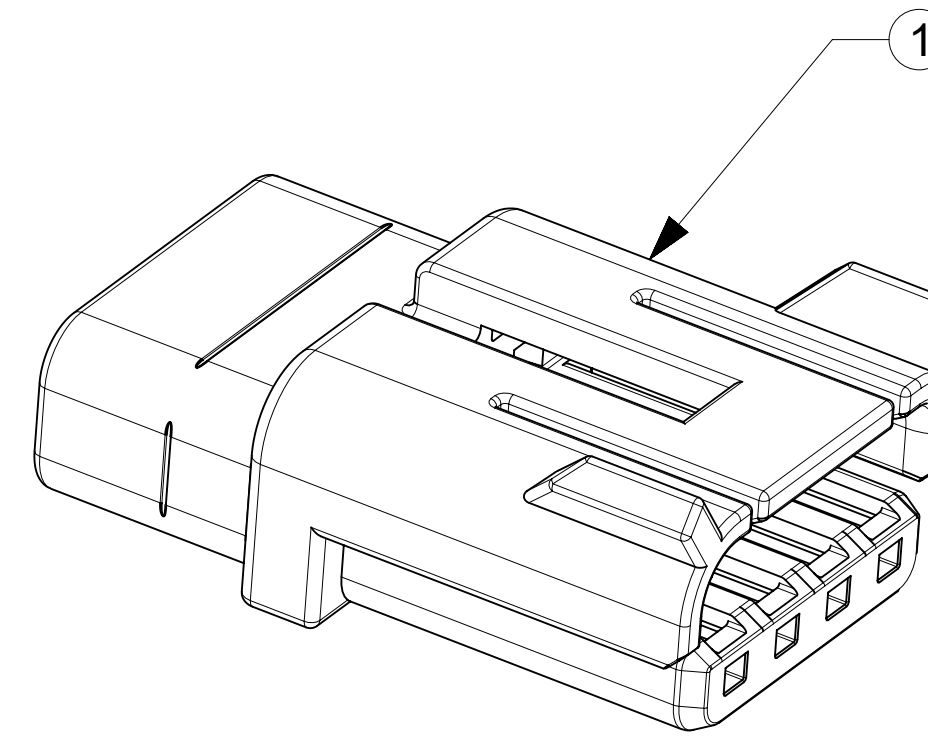


1502070007

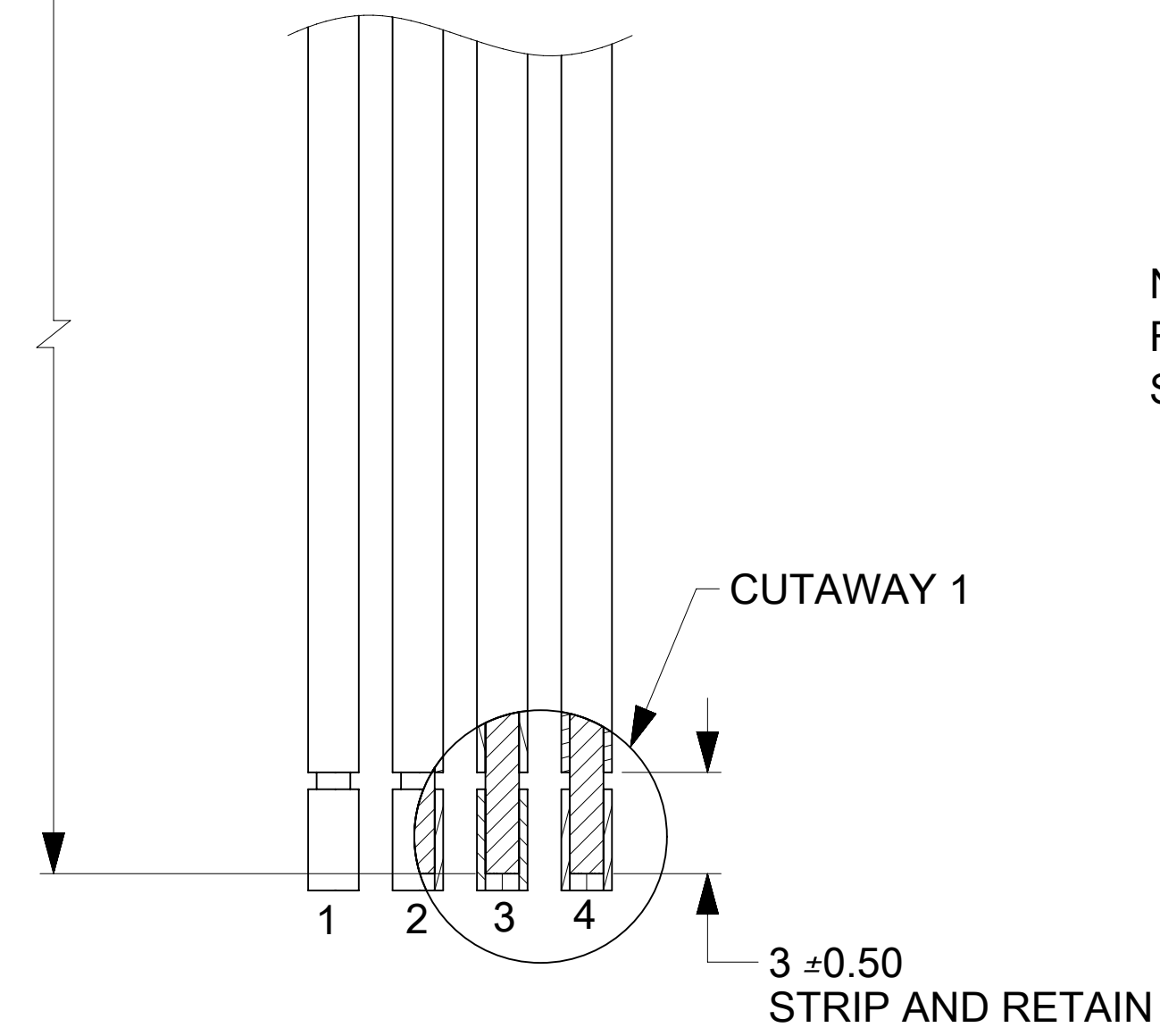
CKT NO	WIRE COLOR
1	BLACK
2, 3, 4, 5, 6, 7 & 8	WHITE



THIS VIEW IS ONLY FOR REPRESENTATION



NOTE:  
FOR CRIMP SPECIFICATION AND STRIP LENGTH DETAILS, REFER APPLICATION TOOLING SPECIFICATION SHEET. DOCUMENT NO. ATS-639030200

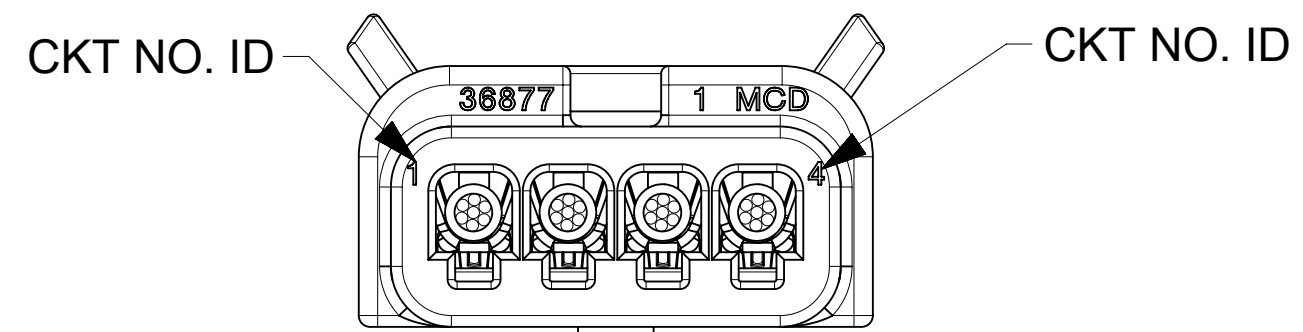


BOM SHOWN FOR 4 CKT


4	UL1061, 20 AWG TINNED COPPER WIRE, BLACK	150206-0002	BLACK	1
3	UL1061, 20 AWG TINNED COPPER WIRE, WHITE	150206-0001	WHITE	3
2	DITTO GENDERLESS CRP TER HSM Cu 20-22AWG	36876-0001	NA	4
1	DITTO GENDERLESS WTW HSG FRIC LOCK 1X4	36877-0004	NA	1
ITEM NO	DESCRIPTION	PART NO	COLOR	QTY

THIS DRAWING CONTAINS INFORMATION THAT IS PROPRIETARY TO MOLEX ELECTRONIC TECHNOLOGIES, LLC AND SHOULD NOT BE USED WITHOUT WRITTEN PERMISSION

DIMENSION UNITS	SCALE	CURRENT REV DESC: OBSOLETE PART NUMBER		
mm	4:1	<p><b>molex</b></p> <p>DITTO SINGLE-ENDED HARNESS ASSY, 2 TO 8 CKT WITH 150206 SERIES WIRE</p> <p>PRODUCT CUSTOMER DRAWING</p>		
GENERAL TOLERANCES (UNLESS SPECIFIED)				
	MM INCH			
4 PLACES ±	±			
3 PLACES ±	±	EC NO: 638550	2020/05/27	
2 PLACES ±	±	DRWN: AKUMAR19	2020/07/16	
1 PLACE ±	±	CHK'D: GGA	2020/07/16	
0 PLACES ±	±	APPR: GGA	2020/07/16	
ANGULAR TOL ± °		INITIAL REVISION:		
DRAFT WHERE APPLICABLE MUST REMAIN WITHIN DIMENSIONS		DRWN: NCSR	2015/02/20	
THIRD ANGLE PROJECTION		APPR: KPRASAD	2015/02/23	
DRAWING		SERIES		DOCUMENT NUMBER
A1-SIZE		150207		SD-150207-0001
SEE TABLE		CUSTOMER		DOC TYPE   DOC PART   REVISION
GENERAL MARKET		PSD 001		B
SHEET NUMBER		1 OF 2		



MOLEX P/N	FCT P/N	MATERIAL DESCRIPTION	HOUSING	TERMINAL	WIRE 1 BLACK (B)	WIRE 2 WHITE (W)	LENGTH L (mm)	CKT NO.								WIRE CUT LENGTH	
								1	2	3	4	5	6	7	8		
1502070003	KAB2291L0.3V01	FCT DITTO SG/END HARNESS ORG 4 CKT 300mm	36877-0004	36876 -0001	150206 -0002	150206 -0001	300	B	W	W	W	-	-	-	-	284±2	
1502070005	KAB2293L0.3V01	FCT DITTO SG/END HARNESS ORG 6 CKT 300mm	36877-0006				300	B	W	W	W	W	W	W	-		-
1502070007	KAB2295L0.3V01	FCT DITTO SG/END HARNESS ORG 8 CKT 300mm	36877-0008				300	B	W	W	W	W	W	W	W		W
1502070012	KAB2293L0.15V01	FCT DITTO SG/END HARNESS ORG 6 CKT 150mm	36877-0006				150	B	W	W	W	W	W	W	W		W

THIS DRAWING CONTAINS INFORMATION THAT IS PROPRIETARY TO MOLEX ELECTRONIC TECHNOLOGIES, LLC AND SHOULD NOT BE USED WITHOUT WRITTEN PERMISSION															
DIMENSION UNITS <b>mm</b>		SCALE <b>1:1</b>		CURRENT REV DESC: OBSOLETE PART NUMBER											
GENERAL TOLERANCES (UNLESS SPECIFIED)				EC NO: 638550 DRWN: AKUMAR19 2020/05/27 CHK'D: GGA 2020/07/16 APPR: GGA 2020/07/16 INITIAL REVISION: DRWN: NCSR 2015/02/20 APPR: KPRASAD 2015/02/23								DITTO SINGLE-ENDED HARNESS ASSY, 2 TO 8 CKT WITH 150206 SERIES WIRE			
								PRODUCT CUSTOMER DRAWING							
4 PLACES ±		±						DOCUMENT NUMBER				DOC TYPE   DOC PART   REVISION			
3 PLACES ±		±						SD-150207-0001				PSD   001   B			
2 PLACES ±		±		MATERIAL NUMBER				CUSTOMER							
1 PLACE ±		±		SEE TABLE				GENERAL MARKET							
0 PLACES ±		±		SHEET NUMBER				2 OF 2							
ANGULAR TOL ± °		°		DRAWING				SERIES							
DRAFT WHERE APPLICABLE MUST REMAIN WITHIN DIMENSIONS				THIRD ANGLE PROJECTION		A1-SIZE		150207							