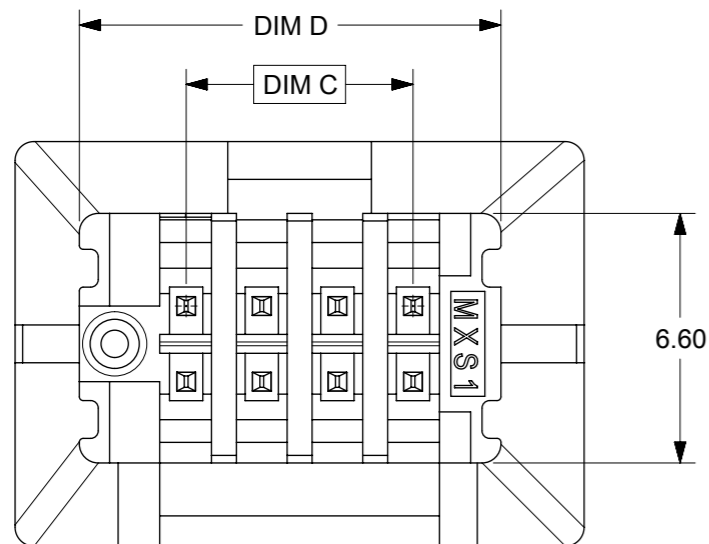
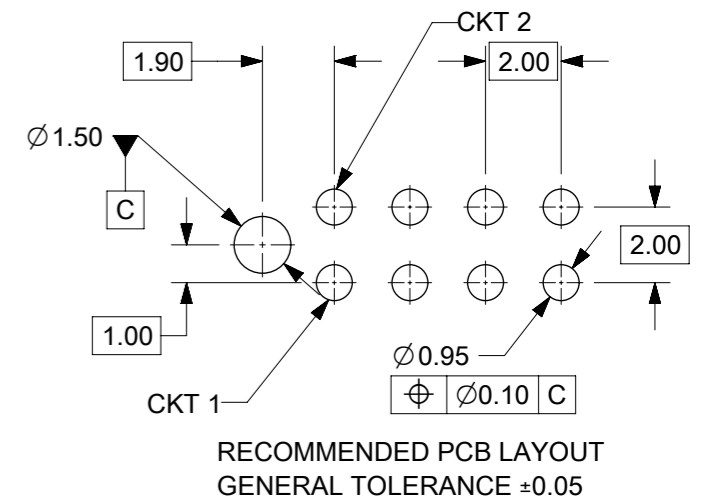
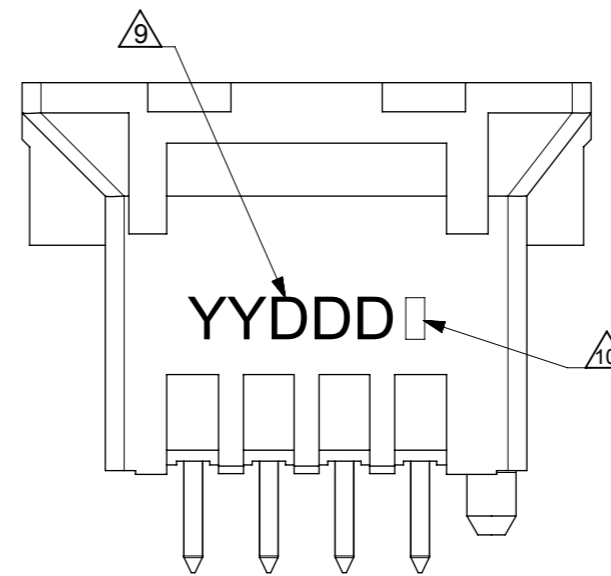
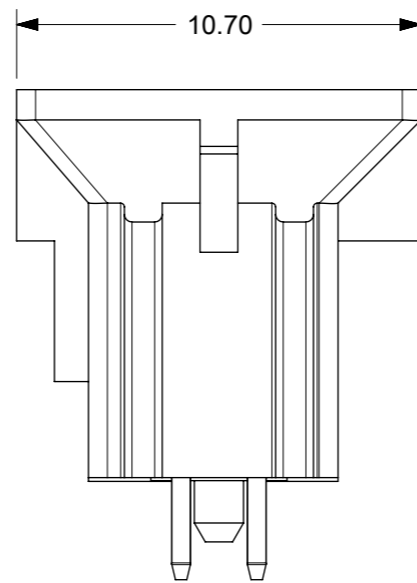
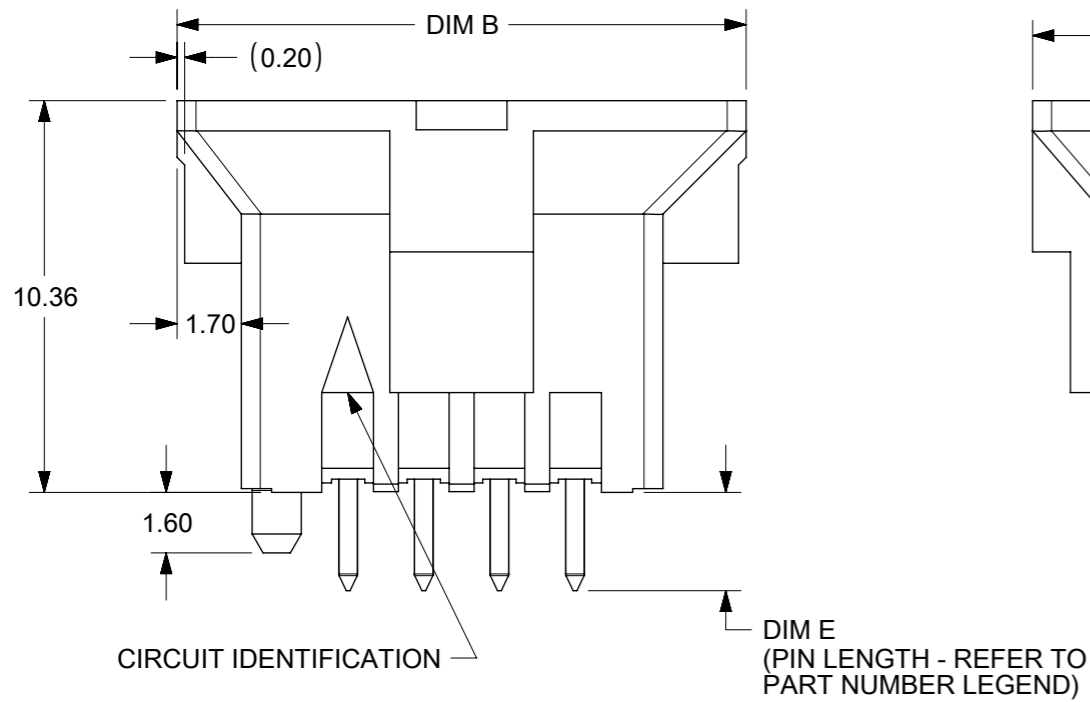
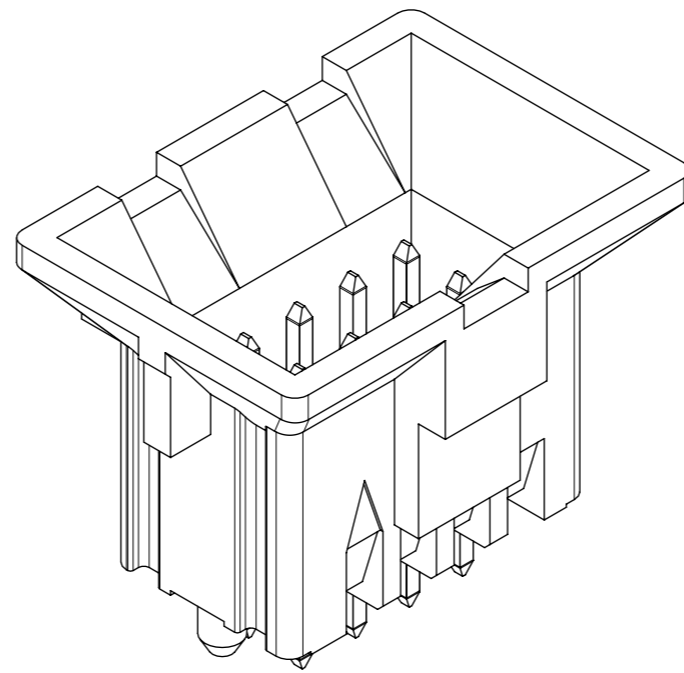
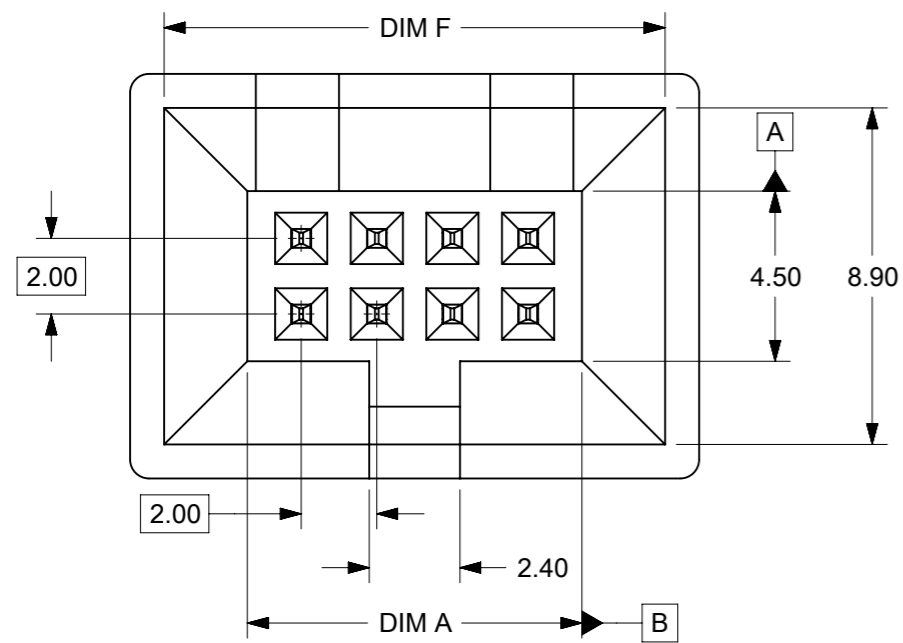


- NOTES:
- MATERIALS:  
HOUSING: LIQUID CRYSTALLINE POLYMER, GLASSED-FILLED UL 94V-0, BLACK  
TERMINALS: 0.50mm SQ. PHOSPHOR BRONZE
  - FINISHES: SEE PART NUMBER LEGEND
  - PRODUCT SPECIFICATION: PS-151013-0001
  - PACKAGING SPECIFICATION TUBE: PK-151013-0001 T&R: 1510130003-PK
  - MATES WITH:  
51110-XX50 (4 TO 20 CKTS)  
51110-XX51 (8 TO 12 CKTS ONLY)  
51110-XX52 (4, 6, AND 14 TO 20 CKTS)  
51110-XX60 (4 TO 12 CKTS)
  - PARTS CONFORMS TO CLASS "B" REQUIREMENTS OF COSMETIC SPECIFICATION PS-45499-002
  - MOLEX LOGO AND CAVITY ID TO BE LOCATED AS SHOWN
  - NON-FUNCTIONAL CORING IS SUBJECTED TO CHANGES WITHOUT NOTICE
  - DATECODE TO BE LOCATED APPROXIMATELY AS SHOWN
  - PLATING ID MARKING FOR DIFFERENT PLATING OPTIONS TO BE LOCATED AFTER DATE CODE AS SHOWN



|         |   |       |                        |            |  |                          |               |              |
|---------|---|-------|------------------------|------------|--|--------------------------|---------------|--------------|
| SYMBOLS | THIS DRAWING CONTAINS INFORMATION THAT IS PROPRIETARY TO MOLEX ELECTRONIC TECHNOLOGIES, LLC AND SHOULD NOT BE USED WITHOUT WRITTEN PERMISSION |       | CURRENT REV DESC:      |            |  | <b>molex</b>             |               |              |
|         | DIMENSION UNITS   | SCALE |                        |            |  |                          |               |              |
| ▽ = 0   | mm  |       | DRWN: DANUSA           | 2022/11/24 |  | PRODUCT CUSTOMER DRAWING |               |              |
| ▽ = 0   | GENERAL TOLERANCES (UNLESS SPECIFIED)   |       | CHK'D: DANUSA          | 2022/11/24 |  |                          |               |              |
| ▽ = 0   | ANGULAR TOL ± 3.0°  |       | APPR: MRAMAKRISHNA     | 2022/11/24 |  | DOC TYPE: PSD            | DOC PART: 000 | REVISION: A9 |
| ▽ = 0   | 4 PLACES ±  |       | INITIAL REVISION:      |            |  | MATERIAL NUMBER: 151013  |               |              |
| ▽ = 0   | 3 PLACES ±  |       | DRWN: GMENARLY         |            |  |                          |               |              |
| ▽ = 0   | 2 PLACES ± 0.25   |       | APPR: KHLIM            |            |  | SHEET NUMBER: 1 OF 3     |               |              |
| ▽ = 0   | 1 PLACE ±   |       | SERIES: A3-SIZE        |            |  |                          |               |              |
| ▽ = 0   | 0 PLACES ±  |       | THIRD ANGLE PROJECTION |            |  |                          |               |              |
| ▽ = 0   | DRAFT WHERE APPLICABLE MUST REMAIN WITHIN DIMENSIONS  |       | DRAWING: A3-SIZE       |            |  |                          |               |              |
| ▽ = 0   |   |       | SERIES: 151013         |            |  |                          |               |              |

# PART NUMBER LEGEND

151013-X X Y Y

PLATING OPTIONS:

DIM E - PIN LENGTHS:

- 0: 2.60mm
- 1: 4.00mm
- 2: 3.00mm
- 3: 3.50mm
- 4: 4.50mm
- 5: 2.10mm

|         |  |
|---------|--|
| 04 - 20 | 04 - 20 CKT IN TUBE                    |
| 64 - 80 | 64 - 80 CKT IN T&R WITHOUT KAPTON TAPE |
|         | 64 = 04CKT                             |
|         | 66 = 06CKT                             |
|         | -                                      |
|         | -                                      |
| 84 - 98 | 84 - 98 CKT IN T&R WITH KAPTON TAPE    |
|         | 84 = 04CKT                             |
|         | 86 = 06CKT                             |
|         | -                                      |
|         | -                                      |
|         | 98 = 18CKT                             |
|         | 00 = 20CKT                             |

| ASSEMBLY PART NUMBER | CKT SIZE | DIM A | DIM B | DIM C | DIM D | DIM F |
|----------------------|----------|-------|-------|-------|-------|-------|
| 151013-XX04          | 4        | 4.85  | 11.05 | 2.00  | 7.15  | 9.25  |
| 151013-XX06          | 6        | 6.85  | 13.05 | 4.00  | 9.15  | 11.25 |
| 151013-XX08          | 8        | 8.85  | 15.05 | 6.00  | 11.15 | 13.25 |
| 151013-XX10          | 10       | 10.85 | 17.05 | 8.00  | 13.15 | 15.25 |
| 151013-XX12          | 12       | 12.85 | 19.05 | 10.00 | 15.15 | 17.25 |
| 151013-XX14          | 14       | 14.85 | 21.05 | 12.00 | 17.15 | 19.25 |
| 151013-XX16          | 16       | 16.85 | 23.05 | 14.00 | 19.15 | 21.25 |
| 151013-XX18          | 18       | 18.85 | 25.05 | 16.00 | 21.15 | 23.25 |
| 151013-XX20          | 20       | 20.85 | 27.05 | 18.00 | 23.15 | 25.25 |


## CIRCUIT IDENTIFICATION ON HOUSING




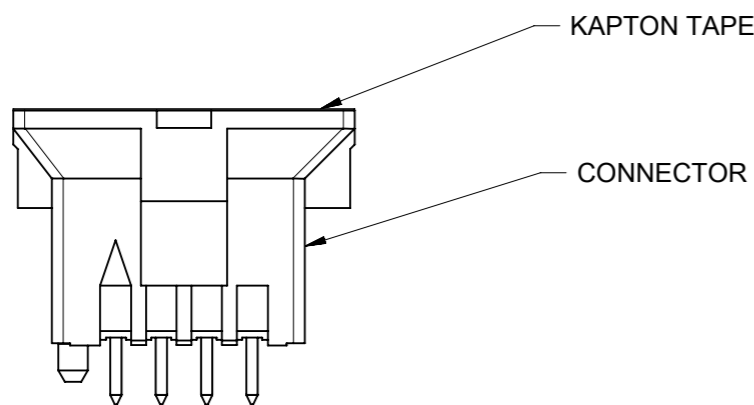
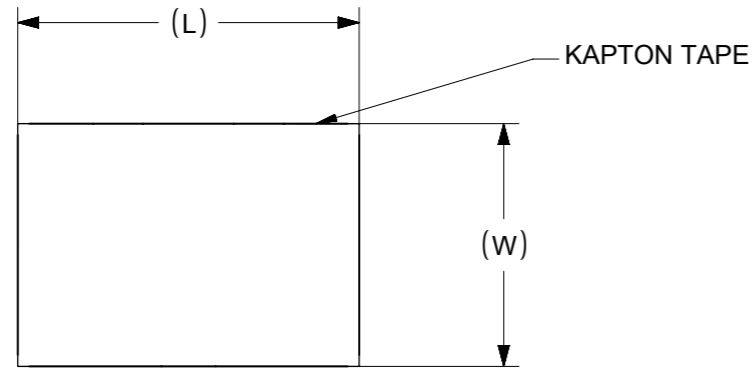
FOR 4 & 6 CIRCUITS



FOR 8 TO 20 CIRCUITS

| PLATING THICKNESS  | PLATING ID MARK  |
|--|---|
| 2 OR 6: 0.76µm MIN. GOLD ON CONTACT, 1.27µm MATTE TIN ON SOLDER TAIL OVER 1.27µm MIN. NICKEL UNDERPLATE OVERALL  |   |
| 3: 0.38µm MIN. GOLD ON CONTACT, 1.27µm MATTE TIN ON SOLDER TAIL OVER 1.27µm MIN. NICKEL UNDERPLATE OVERALL       | /   |
| 4: 0.05µm MIN. GOLD FLASH ON CONTACT, 1.27µm MATTE TIN ON SOLDER TAIL OVER 1.27µm MIN. NICKEL UNDERPLATE OVERALL | <   |
| 5: 2.50µm MIN. MATTE TIN ON CONTACT, 1.27µm MATTE TIN ON SOLDER TAIL OVER 1.27µm MIN. NICKEL UNDERPLATE OVERALL  |   |

|   |   |  |  |  |
|---|---|--|--|--|
| <b>SYMBOLS</b><br>DIMENSION UNITS: mm<br>SCALE: 1:1<br>GENERAL TOLERANCES (UNLESS SPECIFIED):<br>ANGULAR TOL ± 3.0°<br>4 PLACES ±<br>3 PLACES ±<br>2 PLACES ± 0.25<br>1 PLACE ±<br>0 PLACES ±<br>DRAFT WHERE APPLICABLE MUST REMAIN WITHIN DIMENSIONS<br>THIRD ANGLE PROJECTION<br>DRAWING: A3-SIZE<br>SERIES: 151013 | THIS DRAWING CONTAINS INFORMATION THAT IS PROPRIETARY TO MOLEX ELECTRONIC TECHNOLOGIES, LLC AND SHOULD NOT BE USED WITHOUT WRITTEN PERMISSION<br>CURRENT REV DESC:<br>EC NO: 729808<br>DRWN: DANUSA 2022/08/01<br>CHK'D: DANUSA 2022/11/24<br>APPR: MRAMAKRISHNA 2022/11/24 |  | <br>2MM PITCH MILLIGRID BMI VERTICAL HEADER<br>PRODUCT CUSTOMER DRAWING |  |
|   | INITIAL REVISION:<br>DRWN: GMENARLY 2014/05/02<br>APPR: KHLIM 2014/06/30  |  |  |  |
| MATERIAL NUMBER: SEE TABLE<br>CUSTOMER: GENERAL MARKET<br>SHEET NUMBER: 2 OF 3  |   |  |  |  |



PART WITH KAPTON TAPE  
8CKT SHOWN FOR ILLUSTRATION ONLY

| ASSEMBLY PART NUMBER TUBE | ASSEMBLY PART NUMBER TAPE & REEL | CKT SIZE | DIM A | DIM B | DIM C | DIM D | DIM F | KAPTON TAPE |
|---------------------------|----------------------------------|----------|-------|-------|-------|-------|-------|-------------|
| ----                      | 151013-2096                      | 16       | 16.85 | 23.05 | 14.00 | 19.15 | 21.25 | YES         |
| ----                      | 151013-2076                      | 16       | 16.85 | 23.05 | 14.00 | 19.15 | 21.25 | NO          |
| 151013-3020               | ----                             | 20       | 20.85 | 27.05 | 18.00 | 23.15 | 25.25 | NO          |
| 151013-3520               | 151013-3580                      | 20       | 20.85 | 27.05 | 18.00 | 23.15 | 25.25 | NO          |
| 151013-2520               | 151013-2500                      | 20       | 20.85 | 27.05 | 18.00 | 23.15 | 25.25 | YES         |
|                           | 151013-2580 (A9)                 | 20       | 20.85 | 27.05 | 18.00 | 23.15 | 25.25 | NO          |
| 151013-2220               | 151013-2200                      | 20       | 20.85 | 27.05 | 18.00 | 23.15 | 25.25 | YES         |

NOTE:  
IN TABLE HIGHLIGHTED F.G PART FOLLOWS PART LEGENDS FOR LENOVO & INTEL

| ASSEMBLY PART NUMBER TUBE | CKT SIZE | DIM A | DIM B | DIM C | DIM D PIN LENGTH | KAPTON TAPE |
|---------------------------|----------|-------|-------|-------|------------------|-------------|
| 151013-6508               | 08       | 8.85  | 15.05 | 6.00  | 2.1              | YES         |

|   |   |            |                   |                   |  |
|---|---|------------|-------------------|-------------------|--|
| <b>SYMBOLS</b><br>DIMENSION UNITS: mm<br>SCALE: 1:1<br>GENERAL TOLERANCES (UNLESS SPECIFIED):<br>ANGULAR TOL ± 3.0°<br>4 PLACES ±<br>3 PLACES ±<br>2 PLACES ± 0.25<br>1 PLACE ±<br>0 PLACES ±<br>DRAFT WHERE APPLICABLE MUST REMAIN WITHIN DIMENSIONS<br>THIRD ANGLE PROJECTION<br>DRAWING: A3-SIZE<br>SERIES: 151013 | THIS DRAWING CONTAINS INFORMATION THAT IS PROPRIETARY TO MOLEX ELECTRONIC TECHNOLOGIES, LLC AND SHOULD NOT BE USED WITHOUT WRITTEN PERMISSION |            | CURRENT REV DESC: |                   | <br>2MM PITCH MILLIGRID BMI VERTICAL HEADER<br>PRODUCT CUSTOMER DRAWING<br>DOCUMENT NUMBER: SD-151013-0001<br>DOC TYPE: PSD<br>DOC PART: 000<br>REVISION: A9<br>MATERIAL NUMBER: SEE CHART<br>CUSTOMER: GENERAL MARKET<br>SHEET NUMBER: 3 OF 3 |
|   | EC NO: 729808   |            | 2022/08/01        |                   |  |
|   | DRWN: DANUSA  |            | 2022/11/24        |                   |  |
|   | CHK'D: DANUSA   |            | 2022/11/24        |                   |  |
| APPR: MRAMAKRISHNA  |   | 2022/11/24 |                   | INITIAL REVISION: |  |
| DRWN: GMENARLY  |   | 2014/05/02 |                   | DRWING            |  |
| APPR: KHLIM   |   | 2014/06/30 |                   | SERIES            |  |