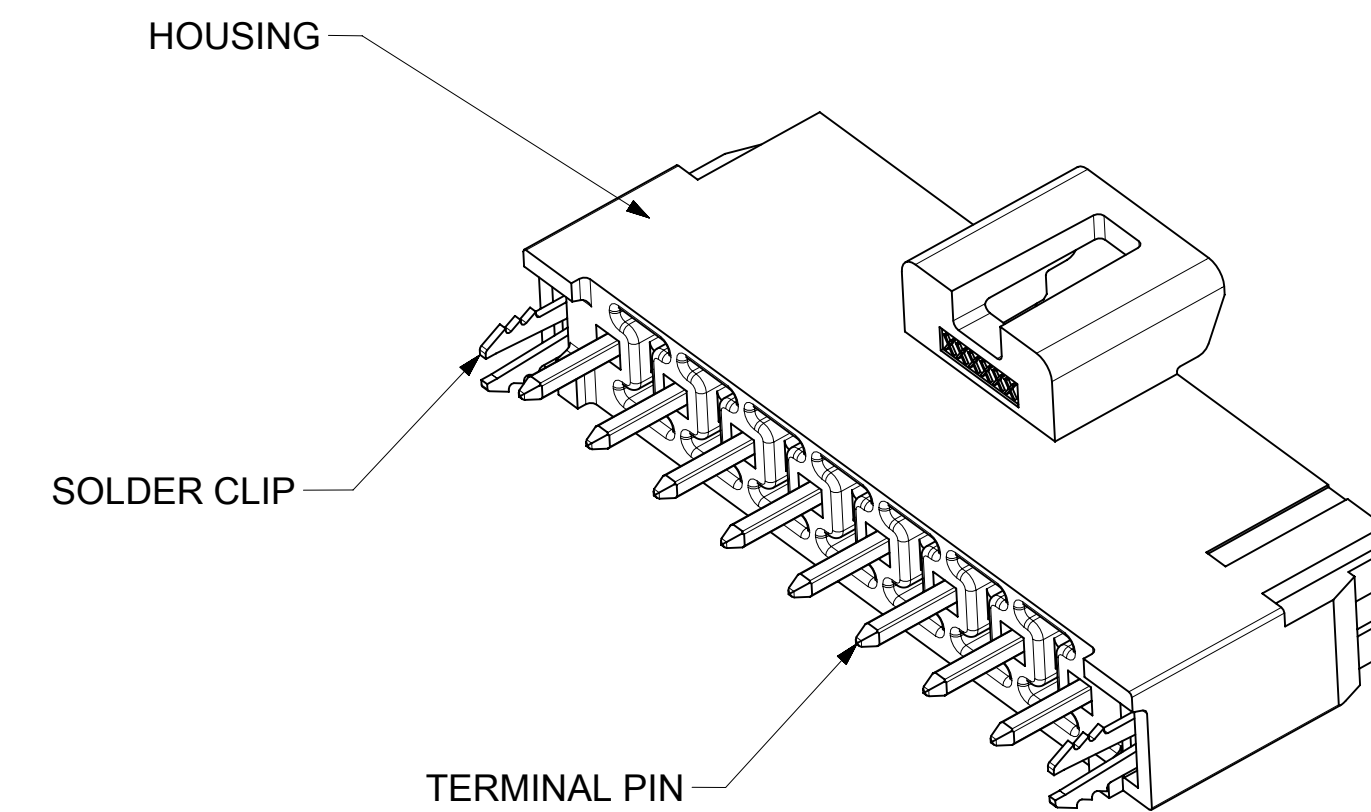
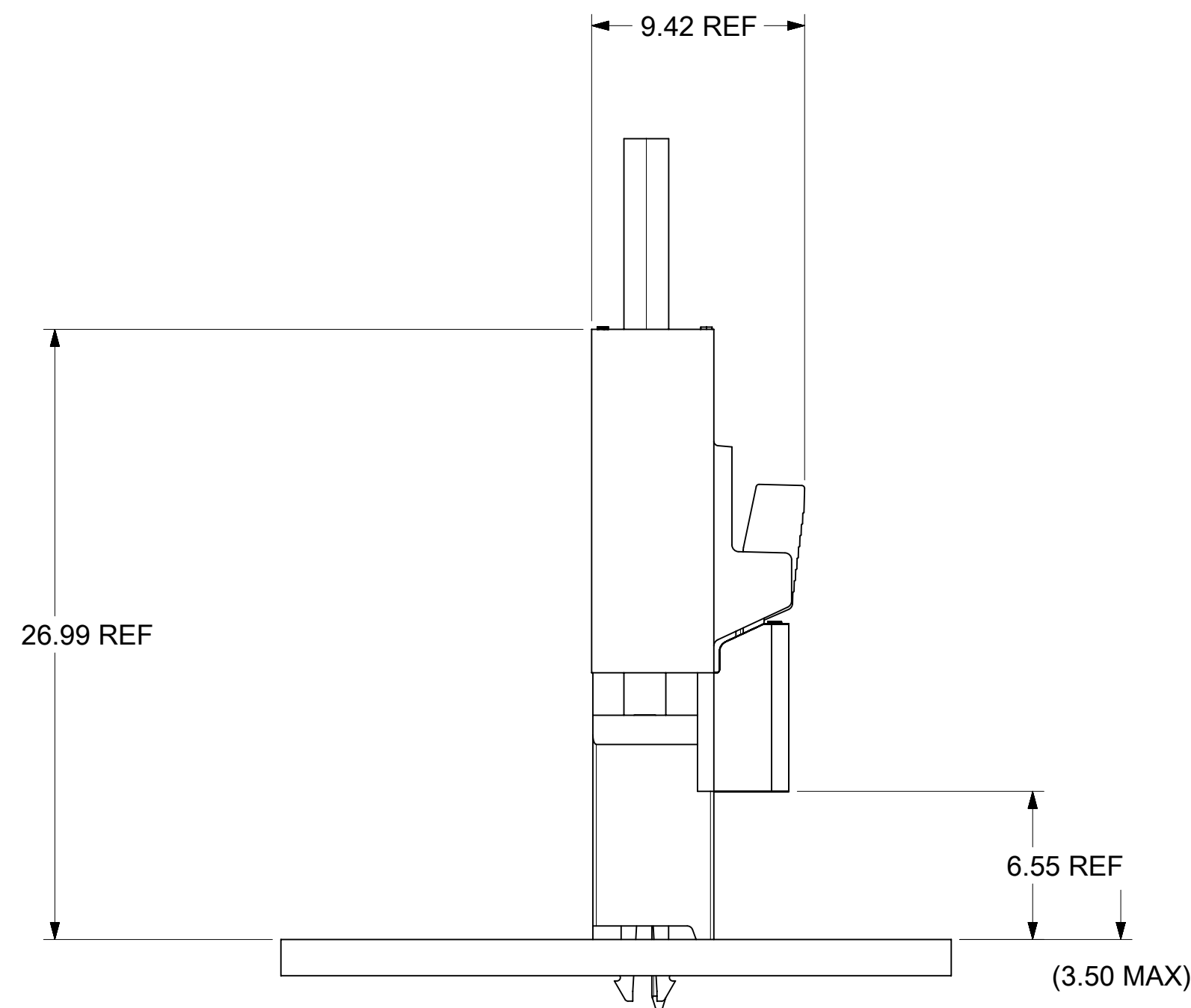


NOTES:

- MATERIAL :  
HOUSING  
OPTION 1: LCP BLACK, UL94 V-0  
OPTION 2: LCP NATURAL, UL94 V-0  
TERMINAL: COPPER ALLOY
- PLATING FINISH:  
OPTION 1 - 1.5µm(60µin)-2.5µm(100µin) TIN OVER  
1.25µm(50µin)-2.5µm(100µin) NICKEL OVERALL  
OPTION 2 - 0.35µm(15µin) GOLD CONTACT AREA,  
1.5µm(60µin)-2.5µm(100µin) TIN TAIL AREA OVER  
1.25µm(50µin)-2.5µm(100µin) NICKEL OVERALL  
OPTION 3 - 0.70µm(30µin) GOLD CONTACT AREA,  
1.5µm(60µin)-2.5µm(100µin) TIN TAIL AREA OVER  
1.25µm(50µin)-2.5µm(100µin) NICKEL OVERALL
- PARTS TO BE PACKAGED PER PK-172287-9001
- PRODUCT SPECIFICATION PS-172323-0001
- PART MATES WITH MOLEX RECEPTACLE HOUSING 172256 AND 172260
- PARTS CONFORM TO CLASS "C" REQUIREMENTS OF COSMETIC SPECIFICATION PS-45499-002
- DISCOLORATION IN THE BANDOLIER AREA OF THE PIN IS INHERENT TO THE PLATING PROCESS AND IS DUE TO THE MASKING EFFECT OF THE CARRIER. THIS DISCOLORATION IS IN A NON-FUNCTIONAL AREA OF THE PIN AND WILL NOT AFFECT THE PERFORMANCE OF THE HEADER ASSEMBLY.
- APPLICATION SPECIFICATION: AS-172323-0001



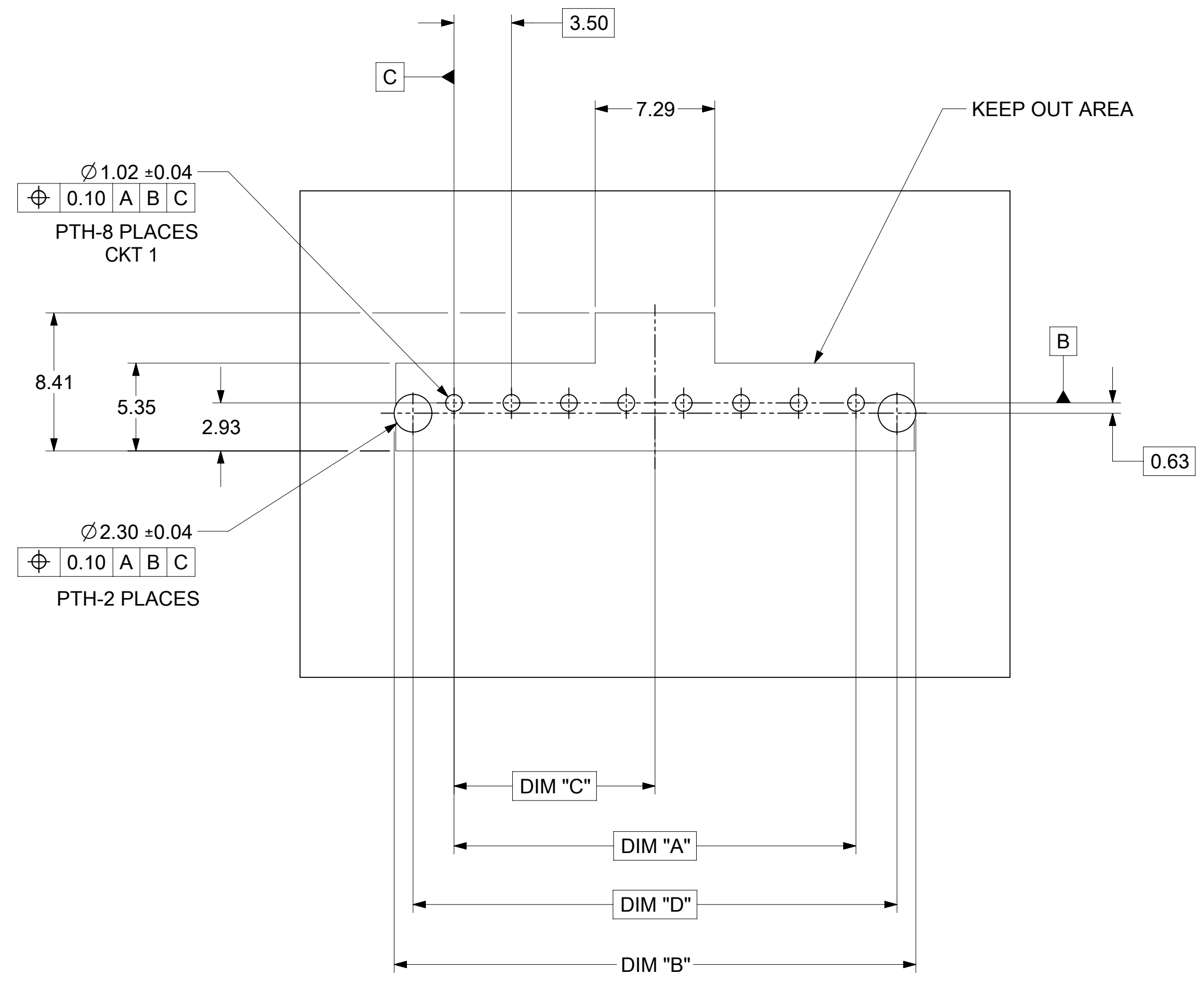
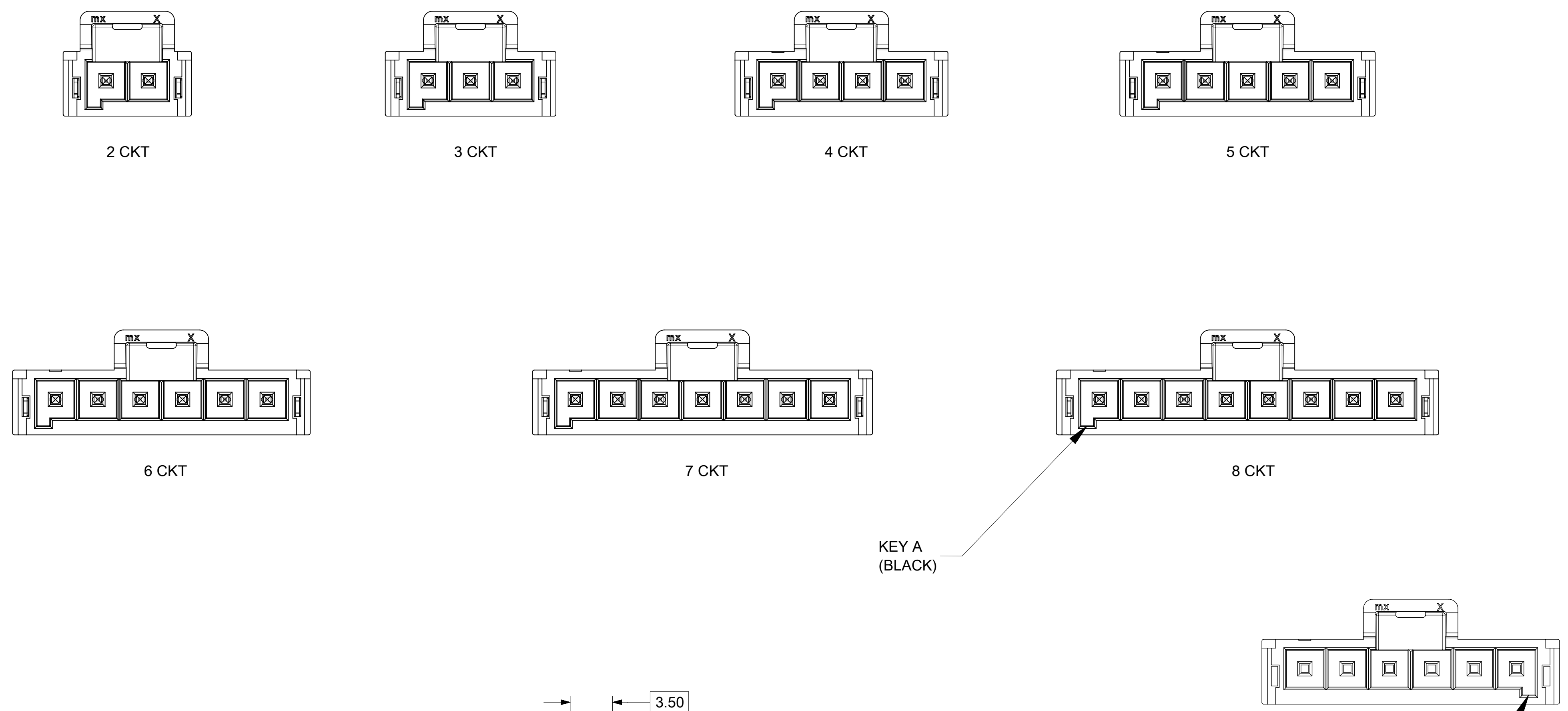
THIS DRAWING CONTAINS INFORMATION THAT IS PROPRIETARY TO MOLEX ELECTRONIC TECHNOLOGIES, LLC AND SHOULD NOT BE USED WITHOUT WRITTEN PERMISSION									
DIMENSION UNITS		SCALE		CURRENT REV DESC:					
mm		NTS							
GENERAL TOLERANCES (UNLESS SPECIFIED)									
ANGULAR TOL				± °					
4 PLACES				±					
3 PLACES				±					
2 PLACES				± 0.25					
1 PLACE				± 0.5					
0 PLACES				±					
DRAFT WHERE APPLICABLE MUST REMAIN WITHIN DIMENSIONS				THIRD ANGLE PROJECTION		DRAWING		SERIES	
						D-SIZE		172287	
				MATERIAL NUMBER		CUSTOMER		SHEET NUMBER	
				SEE TABLE		GENERAL MARKET		1 OF 2	

**molex**

ULTRA-FIT VERT HEAD ASSY  
2-8 CKTS SINGLE ROW WITH SOLDER CLIP

PRODUCT CUSTOMER DRAWING

DOCUMENT NUMBER	DOC TYPE	DOC PART	REVISION
SD-172287-1000	PSD	000	B6



NOTE: DATUM -A- IS ON THE COMPONENT SIDE PCB

TIN PLATING							
PART NO.	COLOR	CIRCUIT SIZE	KEY OPTION	DIM A	DIM B	DIM C	DIM D
172287-1102	BLACK	2	KEY A	3.50	10.60	1.75	8.50
172287-1103	BLACK	3	KEY A	7.00	14.10	3.50	12.00
172287-1104	BLACK	4	KEY A	10.50	17.60	5.25	15.50
172287-1105	BLACK	5	KEY A	14.00	21.10	7.00	19.00
172287-1106	BLACK	6	KEY A	17.50	24.60	8.75	22.50
172287-1107	BLACK	7	KEY A	21.00	28.10	10.50	26.00
172287-1108	BLACK	8	KEY A	24.50	31.60	12.25	29.50
172287-2102	NATURAL	2	KEY B	3.50	10.60	1.75	8.50
172287-2103	NATURAL	3	KEY B	7.00	14.10	3.50	12.00
172287-2104	NATURAL	4	KEY B	10.50	17.60	5.25	15.50
172287-2105	NATURAL	5	KEY B	14.00	21.10	7.00	19.00
172287-2106	NATURAL	6	KEY B	17.50	24.60	8.75	22.50
172287-2107	NATURAL	7	KEY B	21.00	28.10	10.50	26.00
172287-2108	NATURAL	8	KEY B	24.50	31.60	12.25	29.50

15 MICROINCH GOLD PLATING							
PART NO.	COLOR	CIRCUIT SIZE	KEY OPTION	DIM A	DIM B	DIM C	DIM D
172287-1202	BLACK	2	KEY A	3.50	10.60	1.75	8.50
172287-1203	BLACK	3	KEY A	7.00	14.10	3.50	12.00
172287-1204	BLACK	4	KEY A	10.50	17.60	5.25	15.50
172287-1205	BLACK	5	KEY A	14.00	21.10	7.00	19.00
172287-1206	BLACK	6	KEY A	17.50	24.60	8.75	22.50
172287-1207	BLACK	7	KEY A	21.00	28.10	10.50	26.00
172287-1208	BLACK	8	KEY A	24.50	31.60	12.25	29.50
172287-2202	NATURAL	2	KEY B	3.50	10.60	1.75	8.50
172287-2203	NATURAL	3	KEY B	7.00	14.10	3.50	12.00
172287-2204	NATURAL	4	KEY B	10.50	17.60	5.25	15.50
172287-2205	NATURAL	5	KEY B	14.00	21.10	7.00	19.00
172287-2206	NATURAL	6	KEY B	17.50	24.60	8.75	22.50
172287-2207	NATURAL	7	KEY B	21.00	28.10	10.50	26.00
172287-2208	NATURAL	8	KEY B	24.50	31.60	12.25	29.50

30 MICROINCH GOLD PLATING							
PART NO.	COLOR	CIRCUIT SIZE	KEY OPTION	DIM A	DIM B	DIM C	DIM D
172287-1302	BLACK	2	KEY A	3.50	10.60	1.75	8.50
172287-1303	BLACK	3	KEY A	7.00	14.10	3.50	12.00
172287-1304	BLACK	4	KEY A	10.50	17.60	5.25	15.50
172287-1305	BLACK	5	KEY A	14.00	21.10	7.00	19.00
172287-1306	BLACK	6	KEY A	17.50	24.60	8.75	22.50
172287-1307	BLACK	7	KEY A	21.00	28.10	10.50	26.00
172287-1308	BLACK	8	KEY A	24.50	31.60	12.25	29.50
172287-2302	NATURAL	2	KEY B	3.50	10.60	1.75	8.50
172287-2303	NATURAL	3	KEY B	7.00	14.10	3.50	12.00
172287-2304	NATURAL	4	KEY B	10.50	17.60	5.25	15.50
172287-2305	NATURAL	5	KEY B	14.00	21.10	7.00	19.00
172287-2306	NATURAL	6	KEY B	17.50	24.60	8.75	22.50
172287-2307	NATURAL	7	KEY B	21.00	28.10	10.50	26.00
172287-2308	NATURAL	8	KEY B	24.50	31.60	12.25	29.50

THIS DRAWING CONTAINS INFORMATION THAT IS PROPRIETARY TO MOLEX ELECTRONIC TECHNOLOGIES, LLC AND SHOULD NOT BE USED WITHOUT WRITTEN PERMISSION

DIMENSION UNITS	SCALE	CURRENT REV DESC:	
mm	NTS		
GENERAL TOLERANCES (UNLESS SPECIFIED)			
ANGULAR TOL	± °		
4 PLACES	±		
3 PLACES	±		
2 PLACES	± 0.25		
1 PLACE	± 0.5		
0 PLACES	±		
DRAFT WHERE APPLICABLE MUST REMAIN WITHIN DIMENSIONS		THIRD ANGLE PROJECTION	DRAWING
			D-SIZE
		SERIES	172287
		MATERIAL NUMBER	SEE TABLE
		CUSTOMER	GENERAL MARKET
		SHEET NUMBER	2 OF 2

ULTRA-FIT VERT HEAD ASSY  
2-8 CKTS SINGLE ROW WITH SOLDER CLIP

PRODUCT CUSTOMER DRAWING

DOCUMENT NUMBER: **SD-172287-1000**    DOC TYPE: PSD    DOC PART: 000    REVISION: B6

EC NO: 717248    2022/08/05  
 DRWN: LEOW  
 CHK'D: XQZHANG    2022/08/15  
 APPR: XQZHANG    2022/08/15

INITIAL REVISION:  
 DRWN: DROSCA    2014/03/03  
 APPR: JCOMERCI    2014/04/24