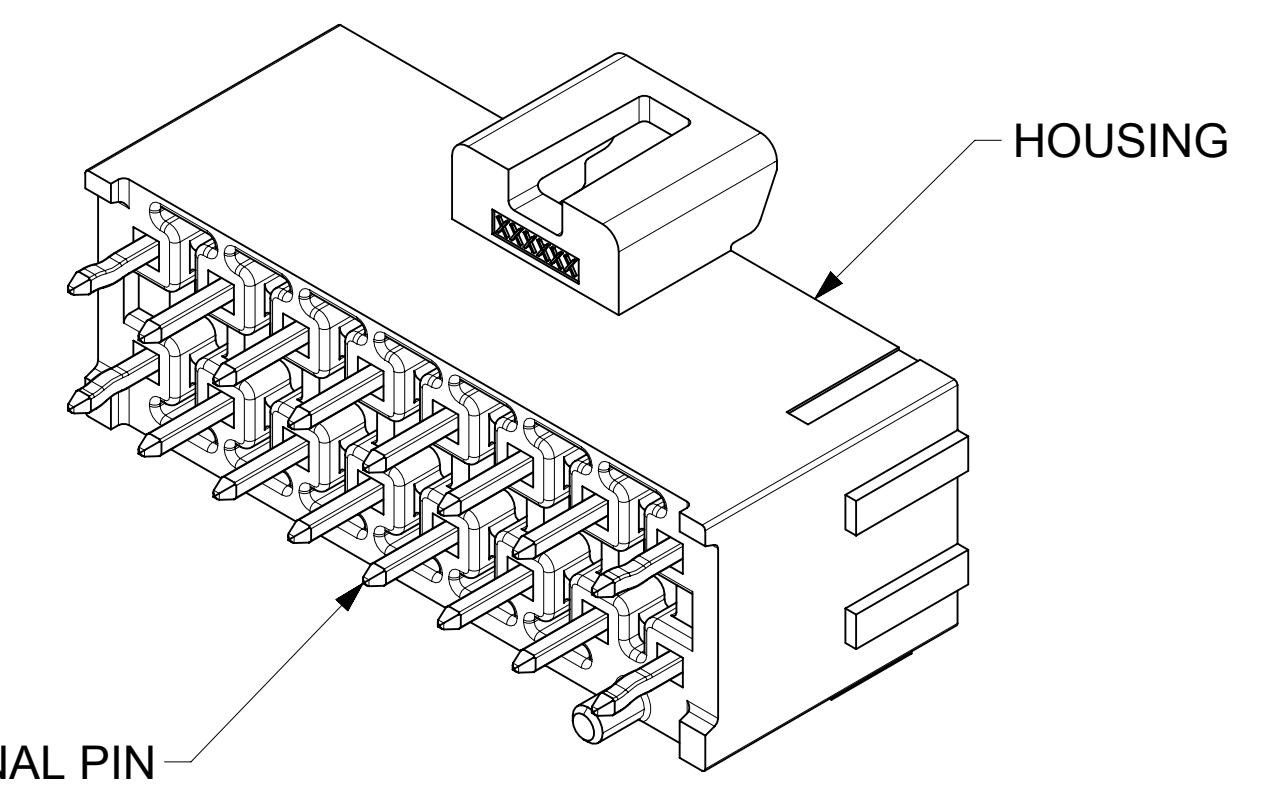
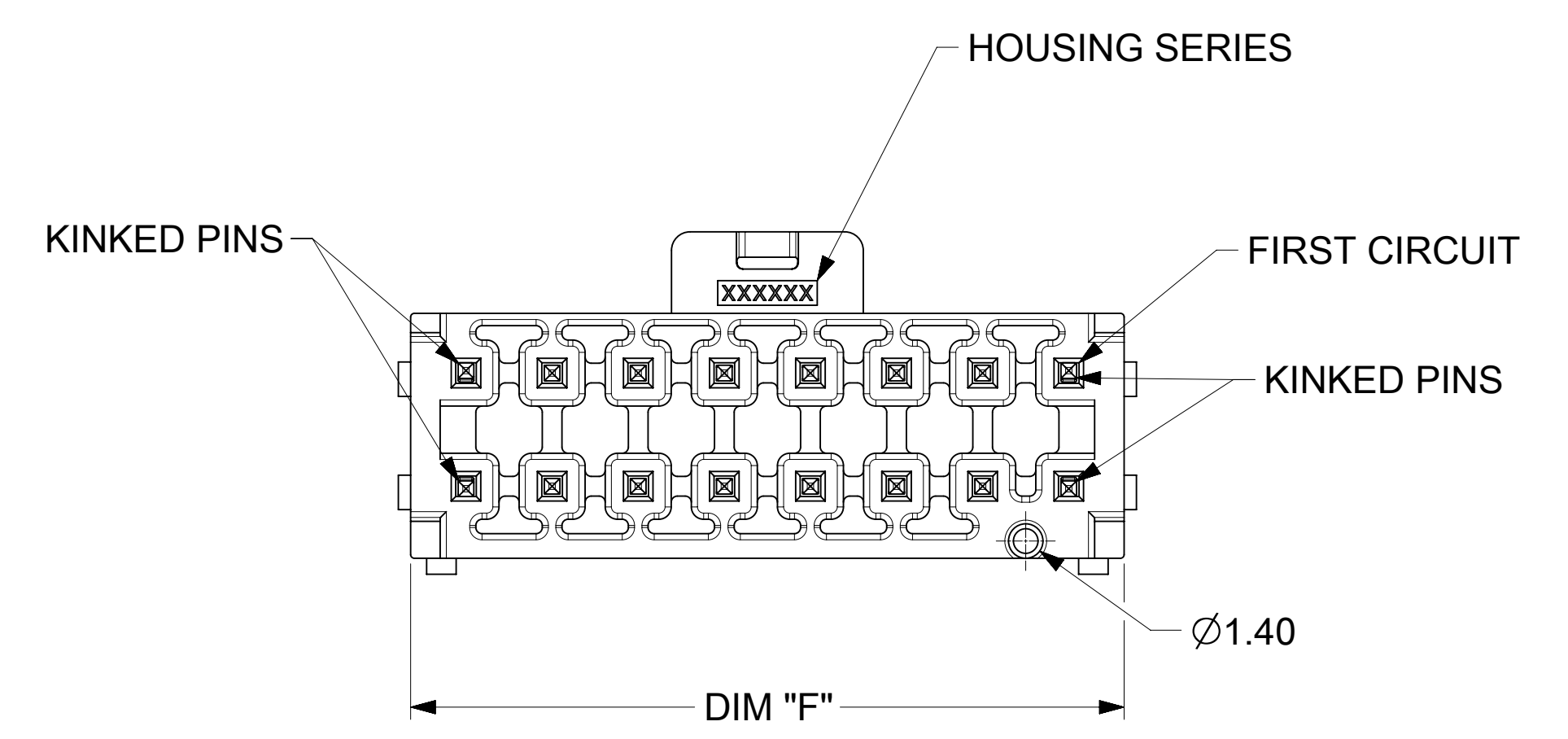
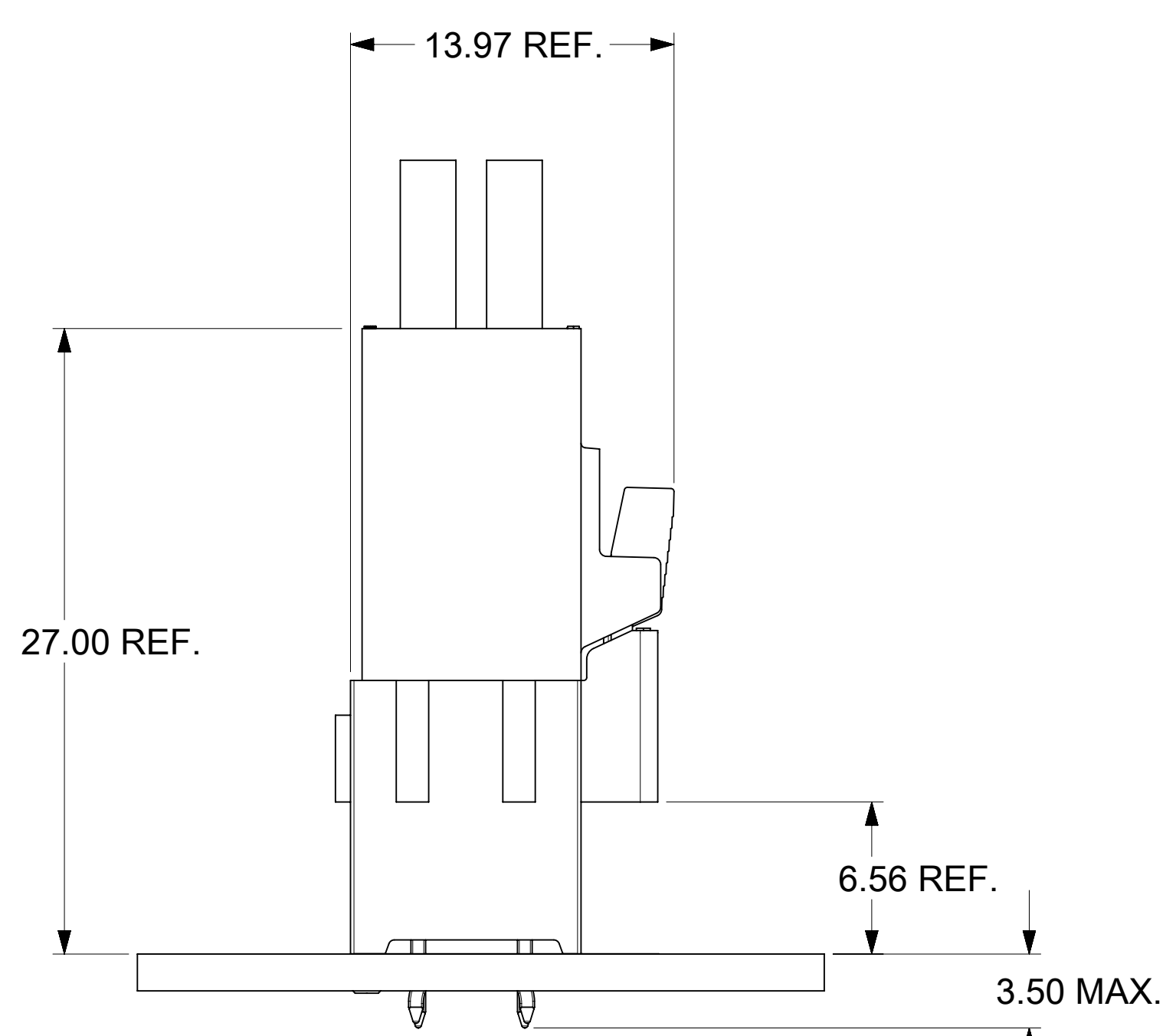


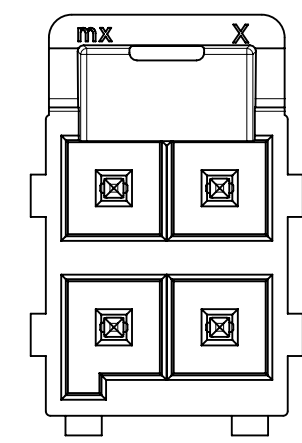
SECTION Y-Y
SCALE 8:1



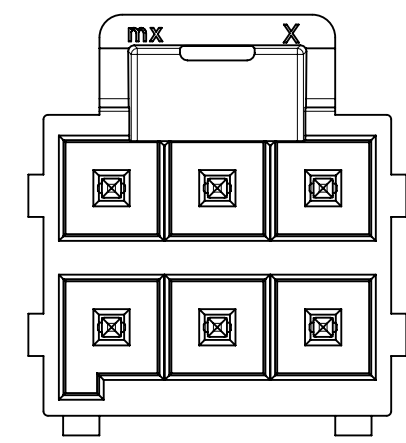
- NOTES:
- MATERIAL :
HOUSING
OPTION 1: LCP BLACK, UL94 V-0
OPTION 2: LCP NATURAL, UL94 V-0
TERMINAL: COPPER ALLOY
 - PLATING FINISH:
OPTION 1 - 1.52µm(60µin)-2.54µm(100µin) TIN OVER,
1.27µm(50µin)-2.54µm(100µin) NICKEL OVERALL,
OPTION 2 - 0.38µm(15µin) GOLD CONTACT AREA,
1.52µm(60µin)-2.54µm(100µin) TIN TAIL AREA OVER,
1.27µm(50µin)-2.54µm(100µin) NICKEL OVERALL.
OPTION 3 - 0.76µm(30µin) GOLD CONTACT AREA,
1.52µm(60µin)-2.54µm(100µin) TIN TAIL AREA OVER,
1.27µm(50µin)-2.54µm(100µin) NICKEL OVERALL.
 - PACKAGE SPECIFICATION REFER TO CHART IN SHEET 3.
 - PRODUCT SPECIFICATION PS-172323-0001.
 - PART MATES WITH MOLEX RECEPTACLE HOUSING 172258 AND 172262.
 - PART CONFORMS TO CLASS "C" REQUIREMENTS OF SPECIFICATION PS-45499-002 WITH 0.13 MM MAXIMUM FLASH ALLOWED IN CORE HOLES AND FRONT SURFACE.
 - DISCOLORATION IN THE BANDOLIER AREA OF THE PIN IS INHERENT TO THE PLATING PROCESS AND IS DUE TO THE MASKING EFFECT OF THE CARRIER. THIS DISCOLORATION IS IN A NON-FUNCTIONAL AREA OF THE PIN AND WILL NOT AFFECT THE PERFORMANCE OF THE HEADER ASSEMBLY.
 - APPLICATION SPECIFICATION: AS-172323-0001



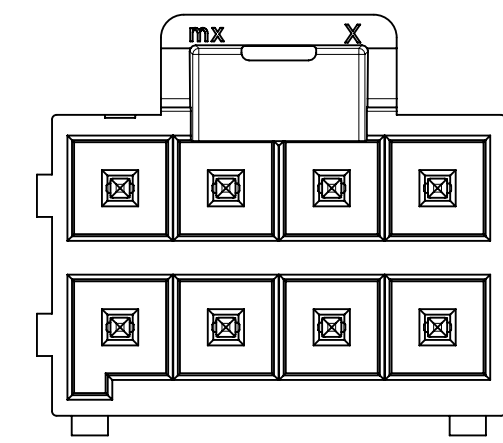
FUNCTIONAL SYMBOLS FA = 0 FE = 0 FP = 0	THIS DRAWING CONTAINS INFORMATION THAT IS PROPRIETARY TO MOLEX ELECTRONIC TECHNOLOGIES, LLC AND SHOULD NOT BE USED WITHOUT WRITTEN PERMISSION																				
	DIMENSION UNITS	SCALE	CURRENT REV DESC:																		
	mm	4:1																			
	GENERAL TOLERANCES (UNLESS SPECIFIED)			EC NO: 693485 DRWN: GLLI CHK'D: XQZHANG APPR: XQZHANG							2022/01/21 2022/01/26 2022/01/26										
ANGULAR TOL ± °			INITIAL REVISION:							DOCUMENT NUMBER		DOC TYPE	DOC PART	REVISION							
4 PLACES ±			DRWN: DROSCA APPR: JCOMERCI							2014/03/04 2014/04/24		SD-172298-1000									
3 PLACES ±			DRAFT WHERE APPLICABLE MUST REMAIN WITHIN DIMENSIONS							THIRD ANGLE PROJECTION		DRAWING		SERIES		MATERIAL NUMBER		CUSTOMER		SHEET NUMBER	
2 PLACES ± 0.25										D-SIZE		172298		GENERAL MARKET		1 OF 3					
1 PLACE ± 0.5																					
0 PLACES ±																					



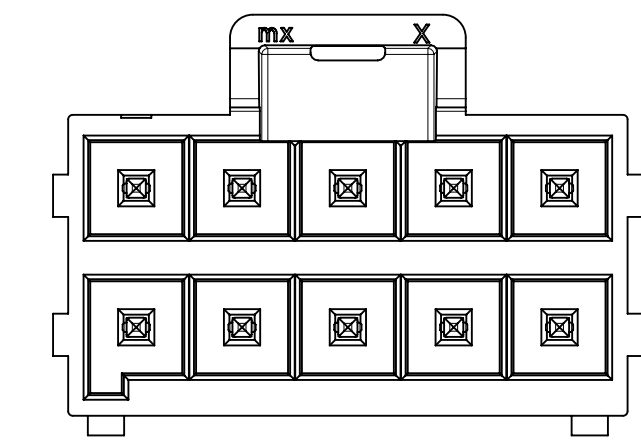
4 CKT



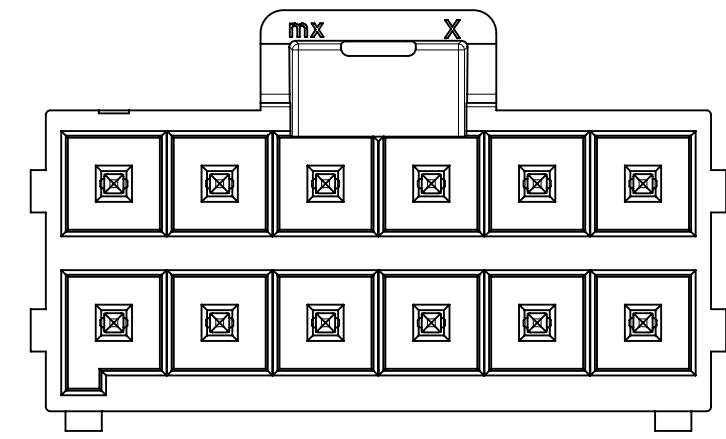
6 CKT



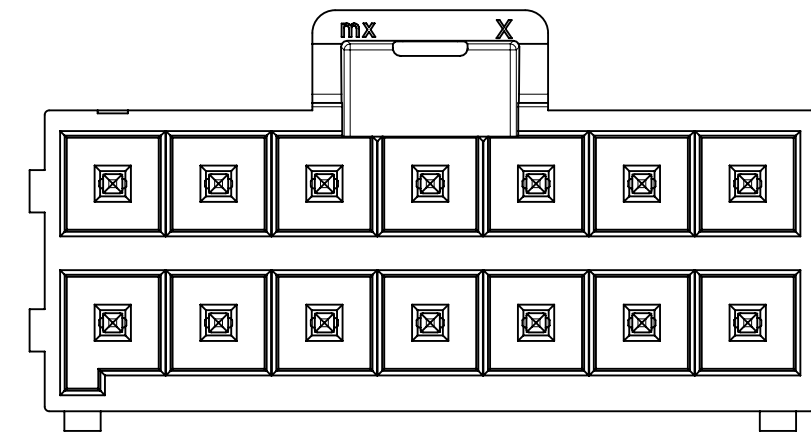
8 CKT



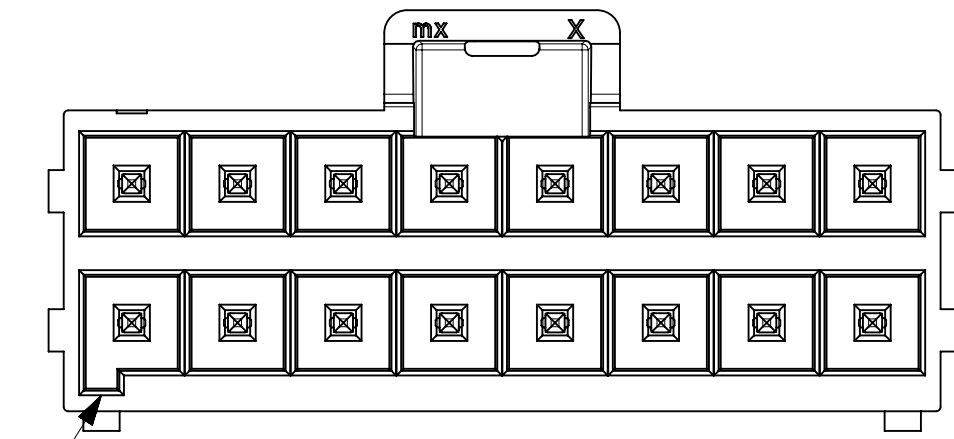
10 CKT



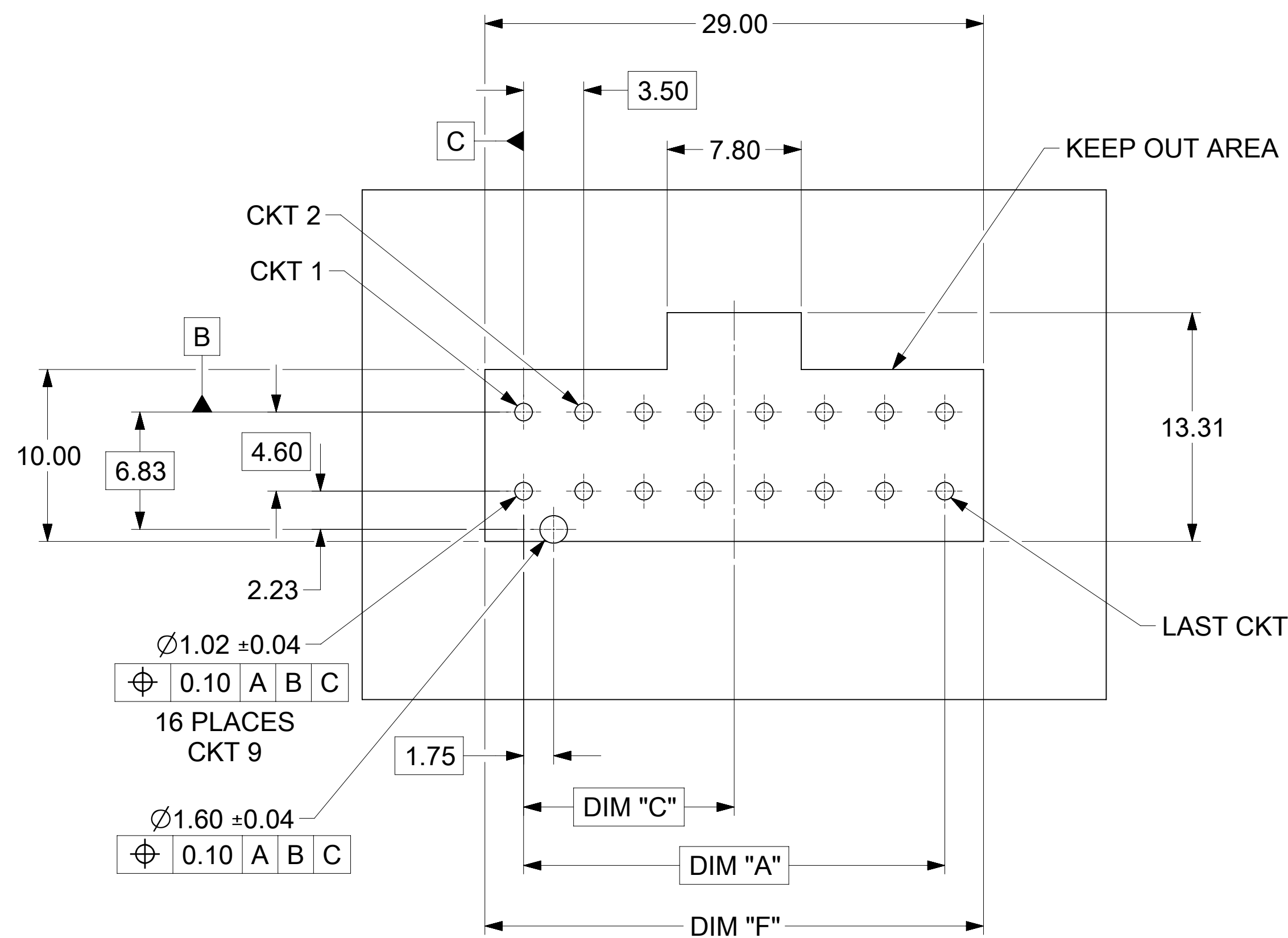
12 CKT



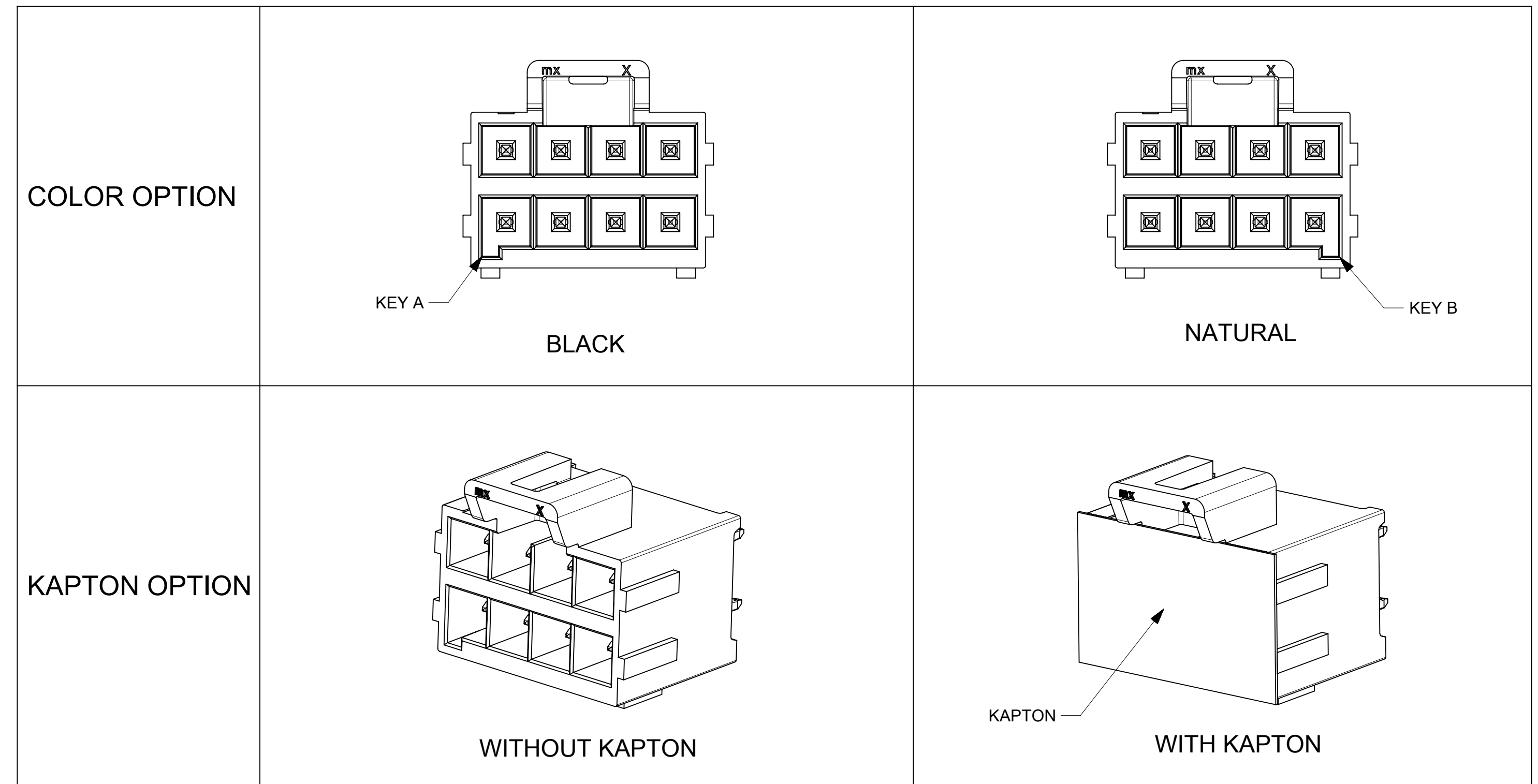
14 CKT



16 CKT



NOTE: DATUM -A- IS ON PCB COMPONENT SIDE



FUNCTIONAL SYMBOLS FA = 0 FC = 0 FD = 0	THIS DRAWING CONTAINS INFORMATION THAT IS PROPRIETARY TO MOLEX ELECTRONIC TECHNOLOGIES, LLC AND SHOULD NOT BE USED WITHOUT WRITTEN PERMISSION		CURRENT REV DESC:		
	DIMENSION UNITS mm	SCALE 4:1			
DIVISIONAL SYMBOLS	GENERAL TOLERANCES (UNLESS SPECIFIED)		EC NO: 693485		2022/01/21 2022/01/26 2022/01/26
	ANGULAR TOL ± °		DRWN: GLLI		
	4 PLACES ±	CHK'D: XQZHANG		2014/03/04	
	3 PLACES ±	APPR: XQZHANG		2014/04/24	
	2 PLACES ± 0.25	INITIAL REVISION:		SD-172298-1000	
1 PLACE ± 0.5	DRWN: DROSCA		PSD 000 D1		
0 PLACES ±	APPR: JCOMERCI		GENERAL MARKET		
DRAFT WHERE APPLICABLE MUST REMAIN WITHIN DIMENSIONS		THIRD ANGLE PROJECTION	DRAWING D-SIZE	SERIES 172298	SHEET NUMBER 2 OF 3

TIN PLATING								COLOR	PACKAGING SPEC.
PART NO.	KAPTON OPTION	CIRCUIT SIZE	KEY OPTION	DIM A	DIM F	DIM C			
172298-1104	WITHOUT	4	KEY A	3.50	8.00	1.75	BLACK	TRAY PK-172298-9001	
172298-1106	WITHOUT	6	KEY A	7.00	11.50	3.50			
172298-1108	WITHOUT	8	KEY A	10.50	15.00	5.25			
172298-1110	WITHOUT	10	KEY A	14.00	18.50	7.00			
172298-1112	WITHOUT	12	KEY A	17.50	22.00	8.75			
172298-1114	WITHOUT	14	KEY A	21.00	25.50	10.50			
172298-1116	WITHOUT	16	KEY A	24.50	29.00	12.25			
172298-2104	WITHOUT	4	KEY B	3.50	8.00	1.75			
172298-2106	WITHOUT	6	KEY B	7.00	11.50	3.50			
172298-2108	WITHOUT	8	KEY B	10.50	15.00	5.25			
172298-2110	WITHOUT	10	KEY B	14.00	18.50	7.00			
172298-2112	WITHOUT	12	KEY B	17.50	22.00	8.75			
172298-2114	WITHOUT	14	KEY B	21.00	25.50	10.50			
172298-2116	WITHOUT	16	KEY B	24.50	29.00	12.25			
172298-7104	WITH	4	KEY A	3.50	8.00	1.75	BLACK	TAPE REEL 1722981000-PK	
172298-7106	WITH	6	KEY A	7.00	11.50	3.50			
172298-7108	WITH	8	KEY A	10.50	15.00	5.25			
172298-7110	WITH	10	KEY A	14.00	18.50	7.00			
172298-7112	WITH	12	KEY A	17.50	22.00	8.75			
172298-7114	WITH	14	KEY A	21.00	25.50	10.50			
172298-7116	WITH	16	KEY A	24.50	29.00	12.25			
172298-8104	WITHOUT	4	KEY A	3.50	8.00	1.75			
172298-8106	WITHOUT	6	KEY A	7.00	11.50	3.50			
172298-8108	WITHOUT	8	KEY A	10.50	15.00	5.25			
172298-8110	WITHOUT	10	KEY A	14.00	18.50	7.00			
172298-8112	WITHOUT	12	KEY A	17.50	22.00	8.75			
172298-8114	WITHOUT	14	KEY A	21.00	25.50	10.50			
172298-8116	WITHOUT	16	KEY A	24.50	29.00	12.25			
172298-3104	WITH	4	KEY B	3.50	8.00	1.75	NATURAL		
172298-3106	WITH	6	KEY B	7.00	11.50	3.50			
172298-3108	WITH	8	KEY B	10.50	15.00	5.25			
172298-3110	WITH	10	KEY B	14.00	18.50	7.00			
172298-3112	WITH	12	KEY B	17.50	22.00	8.75			
172298-3114	WITH	14	KEY B	21.00	25.50	10.50			
172298-3116	WITH	16	KEY B	24.50	29.00	12.25			
172298-4104	WITHOUT	4	KEY B	3.50	8.00	1.75			
172298-4106	WITHOUT	6	KEY B	7.00	11.50	3.50			
172298-4108	WITHOUT	8	KEY B	10.50	15.00	5.25			
172298-4110	WITHOUT	10	KEY B	14.00	18.50	7.00			
172298-4112	WITHOUT	12	KEY B	17.50	22.00	8.75			
172298-4114	WITHOUT	14	KEY B	21.00	25.50	10.50			
172298-4116	WITHOUT	16	KEY B	24.50	29.00	12.25			

15 MICROINCH GOLD PLATING								COLOR	PACKAGING SPEC.
PART NO.	KAPTON OPTION	CIRCUIT SIZE	KEY OPTION	DIM A	DIM F	DIM C			
172298-1204	WITHOUT	4	KEY A	3.50	8.00	1.75	BLACK	TRAY PK-172298-9001	
172298-1206	WITHOUT	6	KEY A	7.00	11.50	3.50			
172298-1208	WITHOUT	8	KEY A	10.50	15.00	5.25			
172298-1210	WITHOUT	10	KEY A	14.00	18.50	7.00			
172298-1212	WITHOUT	12	KEY A	17.50	22.00	8.75			
172298-1214	WITHOUT	14	KEY A	21.00	25.50	10.50			
172298-1216	WITHOUT	16	KEY A	24.50	29.00	12.25			
172298-2204	WITHOUT	4	KEY B	3.50	8.00	1.75			
172298-2206	WITHOUT	6	KEY B	7.00	11.50	3.50			
172298-2208	WITHOUT	8	KEY B	10.50	15.00	5.25			
172298-2210	WITHOUT	10	KEY B	14.00	18.50	7.00			
172298-2212	WITHOUT	12	KEY B	17.50	22.00	8.75			
172298-2214	WITHOUT	14	KEY B	21.00	25.50	10.50			
172298-2216	WITHOUT	16	KEY B	24.50	29.00	12.25			
172298-7204	WITH	4	KEY A	3.50	8.00	1.75	BLACK	TAPE REEL 1722981000-PK	
172298-7206	WITH	6	KEY A	7.00	11.50	3.50			
172298-7208	WITH	8	KEY A	10.50	15.00	5.25			
172298-7210	WITH	10	KEY A	14.00	18.50	7.00			
172298-7212	WITH	12	KEY A	17.50	22.00	8.75			
172298-7214	WITH	14	KEY A	21.00	25.50	10.50			
172298-7216	WITH	16	KEY A	24.50	29.00	12.25			
172298-8204	WITHOUT	4	KEY A	3.50	8.00	1.75			
172298-8206	WITHOUT	6	KEY A	7.00	11.50	3.50			
172298-8208	WITHOUT	8	KEY A	10.50	15.00	5.25			
172298-8210	WITHOUT	10	KEY A	14.00	18.50	7.00			
172298-8212	WITHOUT	12	KEY A	17.50	22.00	8.75			
172298-8214	WITHOUT	14	KEY A	21.00	25.50	10.50			
172298-8216	WITHOUT	16	KEY A	24.50	29.00	12.25			
172298-3204	WITH	4	KEY B	3.50	8.00	1.75	NATURAL		
172298-3206	WITH	6	KEY B	7.00	11.50	3.50			
172298-3208	WITH	8	KEY B	10.50	15.00	5.25			
172298-3210	WITH	10	KEY B	14.00	18.50	7.00			
172298-3212	WITH	12	KEY B	17.50	22.00	8.75			
172298-3214	WITH	14	KEY B	21.00	25.50	10.50			
172298-3216	WITH	16	KEY B	24.50	29.00	12.25			
172298-4204	WITHOUT	4	KEY B	3.50	8.00	1.75			
172298-4206	WITHOUT	6	KEY B	7.00	11.50	3.50			
172298-4208	WITHOUT	8	KEY B	10.50	15.00	5.25			
172298-4210	WITHOUT	10	KEY B	14.00	18.50	7.00			
172298-4212	WITHOUT	12	KEY B	17.50	22.00	8.75			
172298-4214	WITHOUT	14	KEY B	21.00	25.50	10.50			
172298-4216	WITHOUT	16	KEY B	24.50	29.00	12.25			

30 MICROINCH GOLD PLATING								COLOR	PACKAGING SPEC.
PART NO.	KAPTON OPTION	CIRCUIT SIZE	KEY OPTION	DIM A	DIM F	DIM C			
172298-1304	WITHOUT	4	KEY A	3.50	8.00	1.75	BLACK	TRAY PK-172298-9001	
172298-1306	WITHOUT	6	KEY A	7.00	11.50	3.50			
172298-1308	WITHOUT	8	KEY A	10.50	15.00	5.25			
172298-1310	WITHOUT	10	KEY A	14.00	18.50	7.00			
172298-1312	WITHOUT	12	KEY A	17.50	22.00	8.75			
172298-1314	WITHOUT	14	KEY A	21.00	25.50	10.50			
172298-1316	WITHOUT	16	KEY A	24.50	29.00	12.25			
172298-2304	WITHOUT	4	KEY B	3.50	8.00	1.75			
172298-2306	WITHOUT	6	KEY B	7.00	11.50	3.50			
172298-2308	WITHOUT	8	KEY B	10.50	15.00	5.25			
172298-2310	WITHOUT	10	KEY B	14.00	18.50	7.00			
172298-2312	WITHOUT	12	KEY B	17.50	22.00	8.75			
172298-2314	WITHOUT	14	KEY B	21.00	25.50	10.50			
172298-2316	WITHOUT	16	KEY B	24.50	29.00	12.25			
172298-7304	WITH	4	KEY A	3.50	8.00	1.75	BLACK	TAPE REEL 1722981000-PK	
172298-7306	WITH	6	KEY A	7.00	11.50	3.50			
172298-7308	WITH	8	KEY A	10.50	15.00	5.25			
172298-7310	WITH	10	KEY A	14.00	18.50	7.00			
172298-7312	WITH	12	KEY A	17.50	22.00	8.75			
172298-7314	WITH	14	KEY A	21.00	25.50	10.50			
172298-7316	WITH	16	KEY A	24.50	29.00	12.25			
172298-8304	WITHOUT	4	KEY A	3.50	8.00	1.75			
172298-8306	WITHOUT	6	KEY A	7.00	11.50	3.50			
172298-8308	WITHOUT	8	KEY A	10.50	15.00	5.25			
172298-8310	WITHOUT	10	KEY A	14.00	18.50	7.00			
172298-8312	WITHOUT	12	KEY A	17.50	22.00	8.75			
172298-8314	WITHOUT	14	KEY A	21.00	25.50	10.50			
172298-8316	WITHOUT	16	KEY A	24.50	29.00	12.25			
172298-3304	WITH	4	KEY B	3.50	8.00	1.75	NATURAL		
172298-3306	WITH	6	KEY B	7.00	11.50	3.50			
172298-3308	WITH	8	KEY B	10.50	15.00	5.25			
172298-3310	WITH	10	KEY B	14.00	18.50	7.00			
172298-3312	WITH	12	KEY B	17.50	22.00	8.75			
172298-3314	WITH	14	KEY B	21.00	25.50	10.50			
172298-3316	WITH	16	KEY B	24.50	29.00	12.25			
172298-4304	WITHOUT	4	KEY B	3.50	8.00	1.75			
172298-4306	WITHOUT	6	KEY B	7.00	11.50	3.50			
172298-4308	WITHOUT	8	KEY B	10.50	15.00	5.25			
172298-4310	WITHOUT	10	KEY B	14.00	18.50	7.00			
172298-4312	WITHOUT	12	KEY B	17.50	22.00	8.75			
172298-4314	WITHOUT	14	KEY B	21.00	25.50	10.50			
172298-4316	WITHOUT	16	KEY B	24.50	29.00	12.25			

FUNCTIONAL SYMBOLS										THIS DRAWING CONTAINS INFORMATION THAT IS PROPRIETARY TO MOLEX ELECTRONIC TECHNOLOGIES, LLC AND SHOULD NOT BE USED WITHOUT WRITTEN PERMISSION									
FA = 0					mm					SCALE 1:1					CURRENT REV DESC:				
FC = 0					GENERAL TOLERANCES (UNLESS SPECIFIED)					ANGULAR TOL ± °					EC NO: 693485				
FD = 0					4 PLACES ±					3 PLACES ±					DRWN: GLLI 2022/01/21				
DIVISIONAL SYMBOLS					2 PLACES ± 0.25					1 PLACE ± 0.5					CHK'D: XQZHANG 2022/01/26				
					0 PLACES ±					INITIAL REVISION:					APPR: XQZHANG 2022/01/26				
					DRAFT WHERE APPLICABLE MUST REMAIN WITHIN DIMENSIONS					THIRD ANGLE PROJECTION					DRWN: DROSCA 2014/03/04				
					DRAWING D-SIZE					SERIES 172298					APPR: JCOMERCI 2014/04/24				
DOCUMENT STATUS P1										RELEASE DATE 2022/01/26 13:35:15									
SD-172298-1000										PSD 000 D1									
GENERAL MARKET										SHEET NUMBER 3 OF 3									