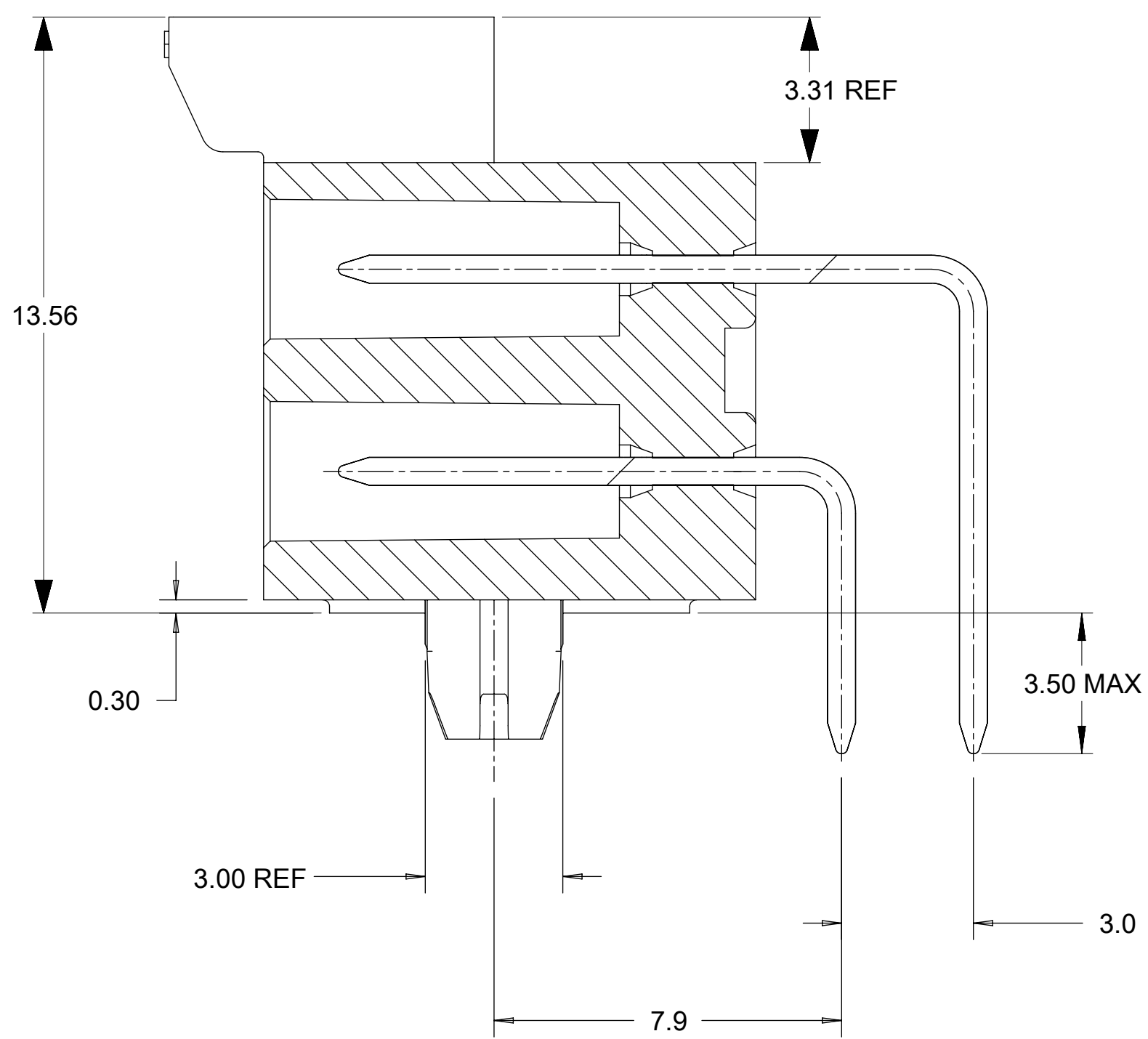
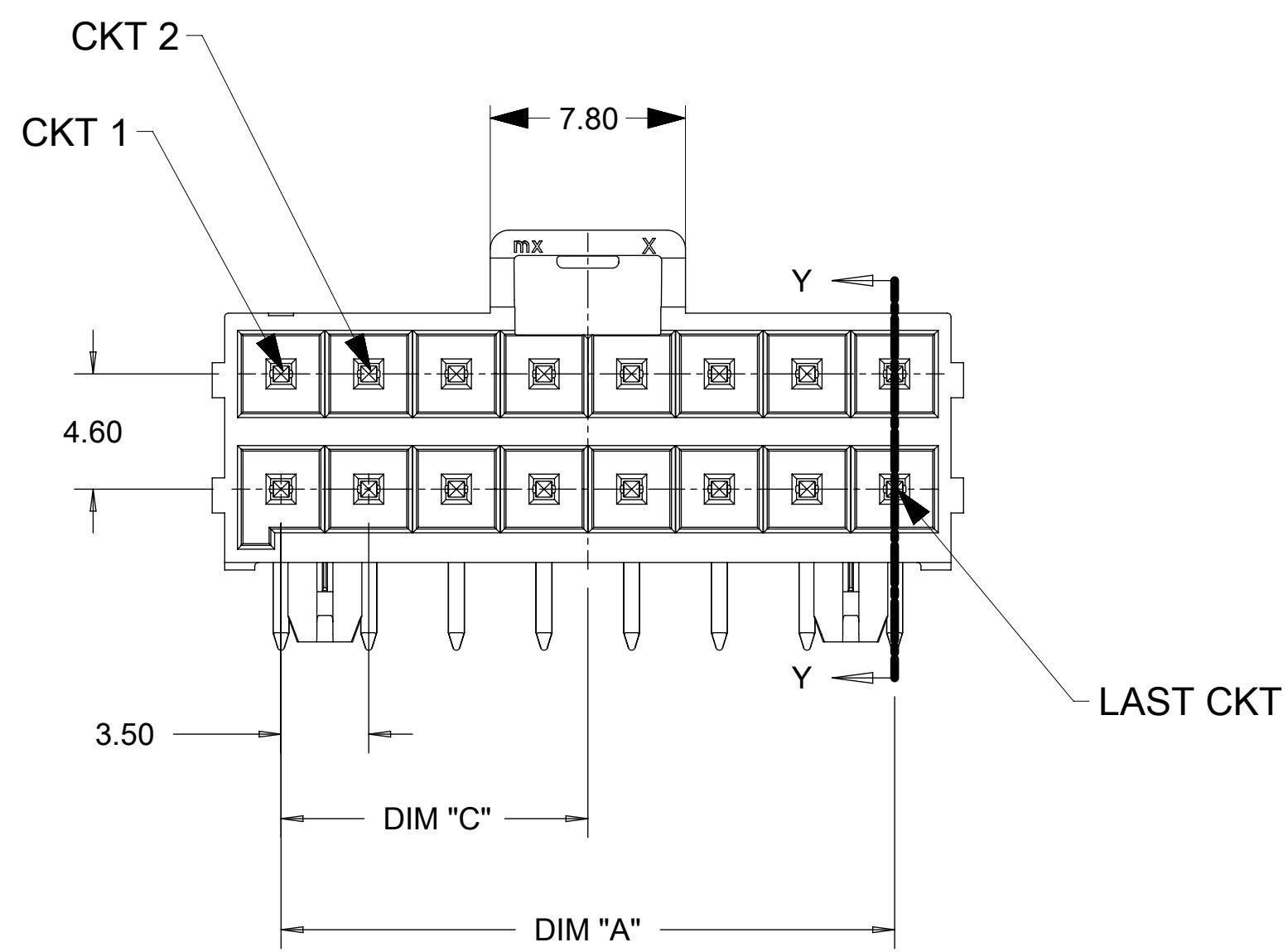
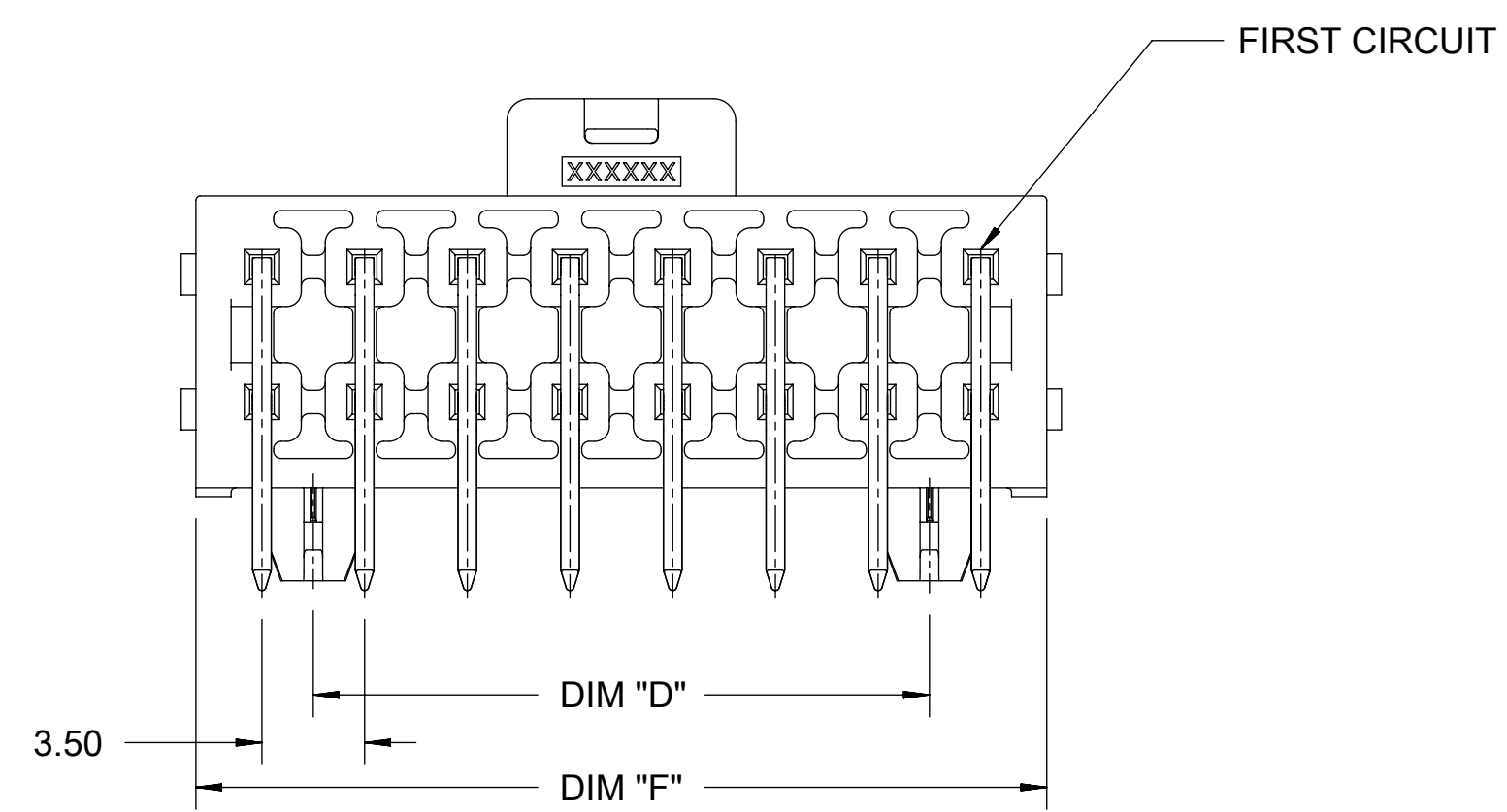


FIRST CIRCUIT MARK
(NOT SHOWING ON 4
AND 6 CIRCUITS SERIES)

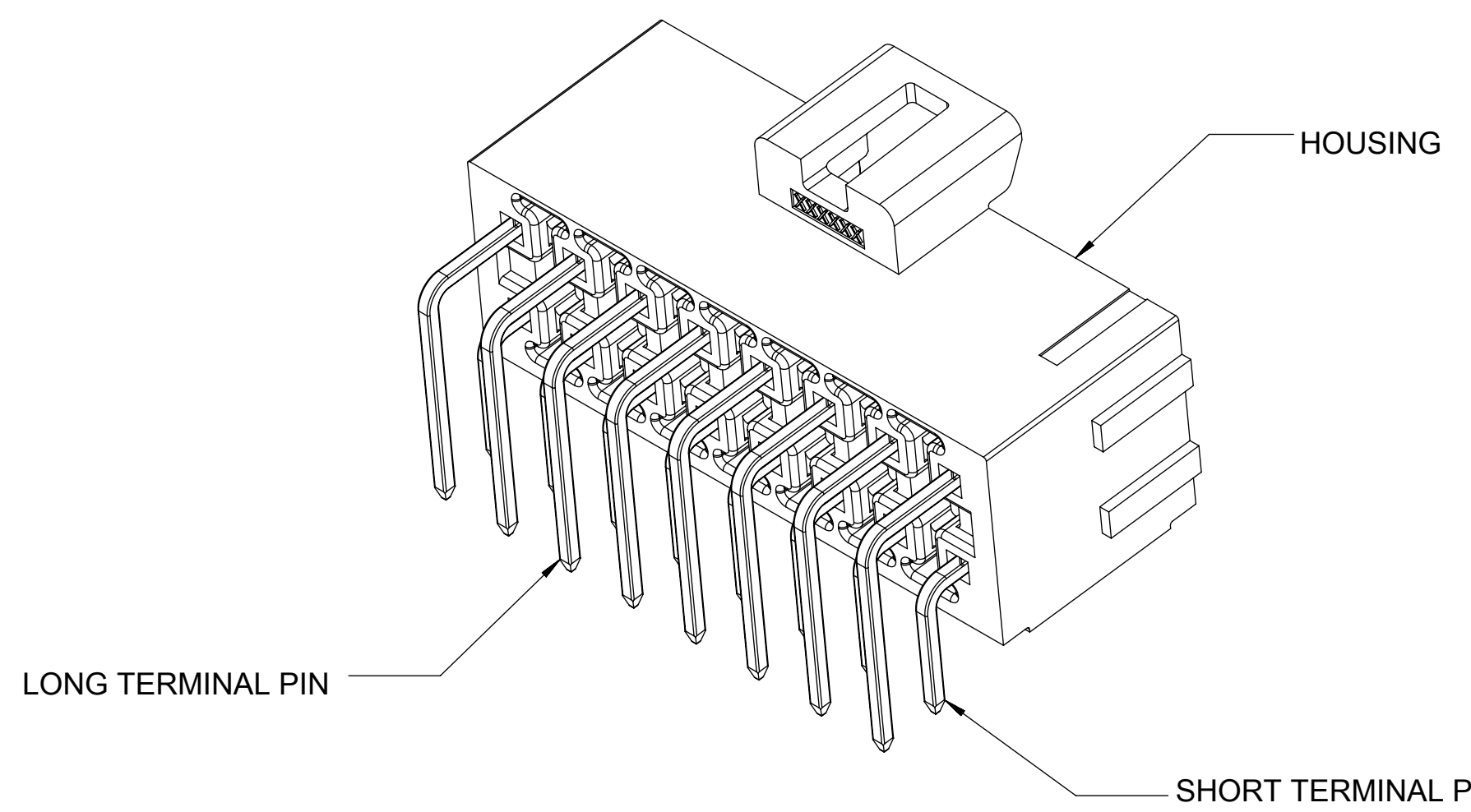
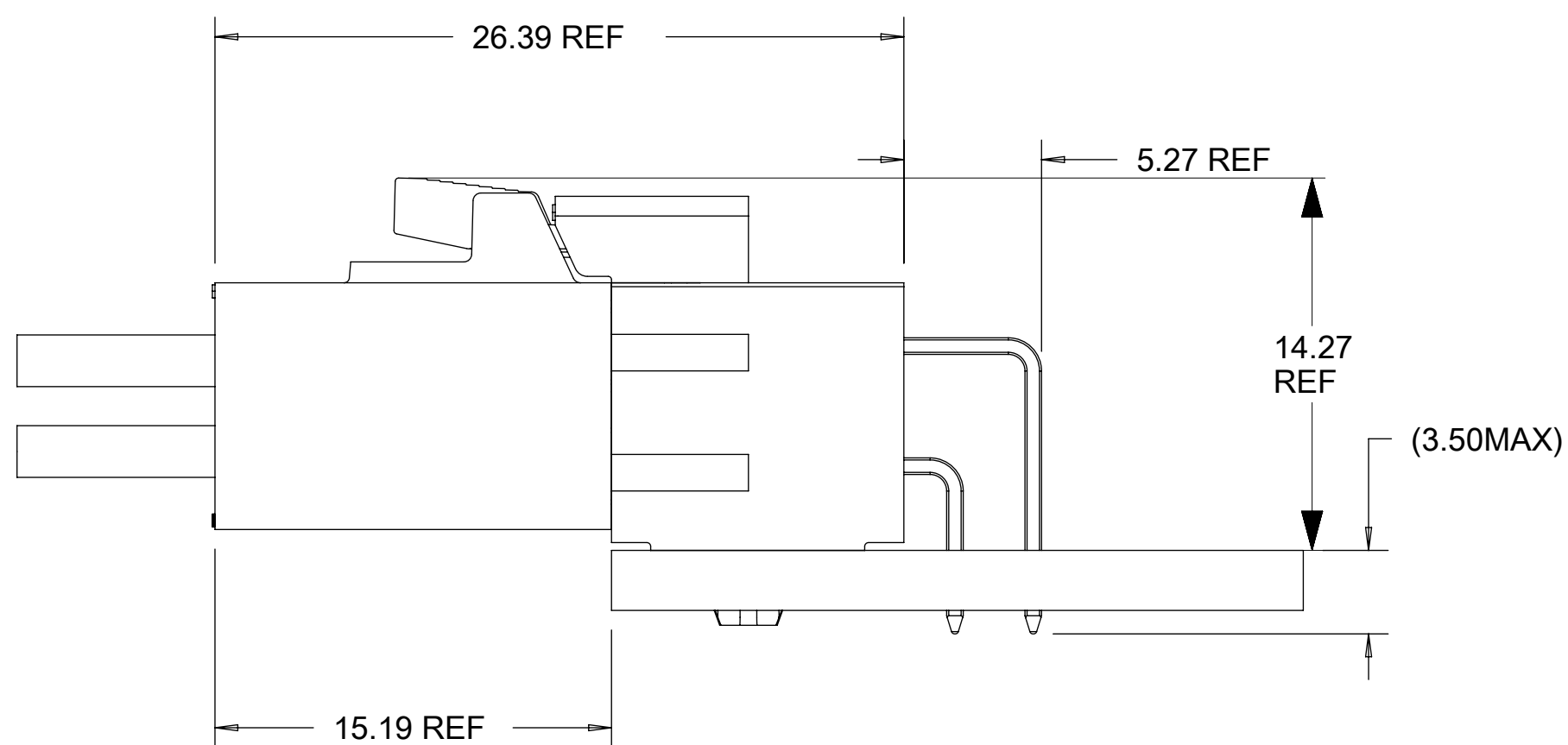


SECTION Y-Y
SCALE 8:1



NOTES:

- MATERIAL :
HOUSING
OPTION 1: LCP BLACK, UL94 V-0
OPTION 2: LCP NATURAL, UL94 V-0
TERMINAL: COPPER ALLOY
- PLATING FINISH:
OPTION 1 - 1.5µm(60µin)-2.5µm(100µin) TIN OVER
1.25µm(50µin)-2.5µm(100µin) NICKEL OVERALL
OPTION 2 - 0.35µm(15µin) GOLD CONTACT AREA,
1.5µm(60µin)-2.5µm(100µin) TIN TAIL AREA OVER
1.25µm(50µin)-2.5µm(100µin) NICKEL OVERALL
OPTION 3 - 0.70µm(30µin) GOLD CONTACT AREA,
1.5µm(60µin)-2.5µm(100µin) TIN TAIL AREA OVER
1.25µm(50µin)-2.5µm(100µin) NICKEL OVERALL
- PARTS TO BE PACKAGED PER 1723161114-PK.
- PRODUCT SPECIFICATION PS-172323-0001
- PART MATES WITH MOLEX RECEPTACLE HOUSING 172258 AND 172262
- PART CONFORMS TO CLASS "C" REQUIREMENTS OF SPECIFICATION PS-45499-002 WITH 0.13 MM MAXIMUM FLASH ALLOWED IN CORE HOLES AND FRONT SURFACE.
- DISCOLORATION IN THE BANDOLIER AREA OF THE PIN IS INHERENT TO THE PLATING PROCESS AND IS DUE TO THE MASKING EFFECT OF THE CARRIER. THIS DISCOLORATION IS IN A NON-FUNCTIONAL AREA OF THE PIN AND WILL NOT AFFECT THE PERFORMANCE OF THE HEADER ASSEMBLY.
- ASSEMBLY SPECIFICATION: AS-172323-0001.



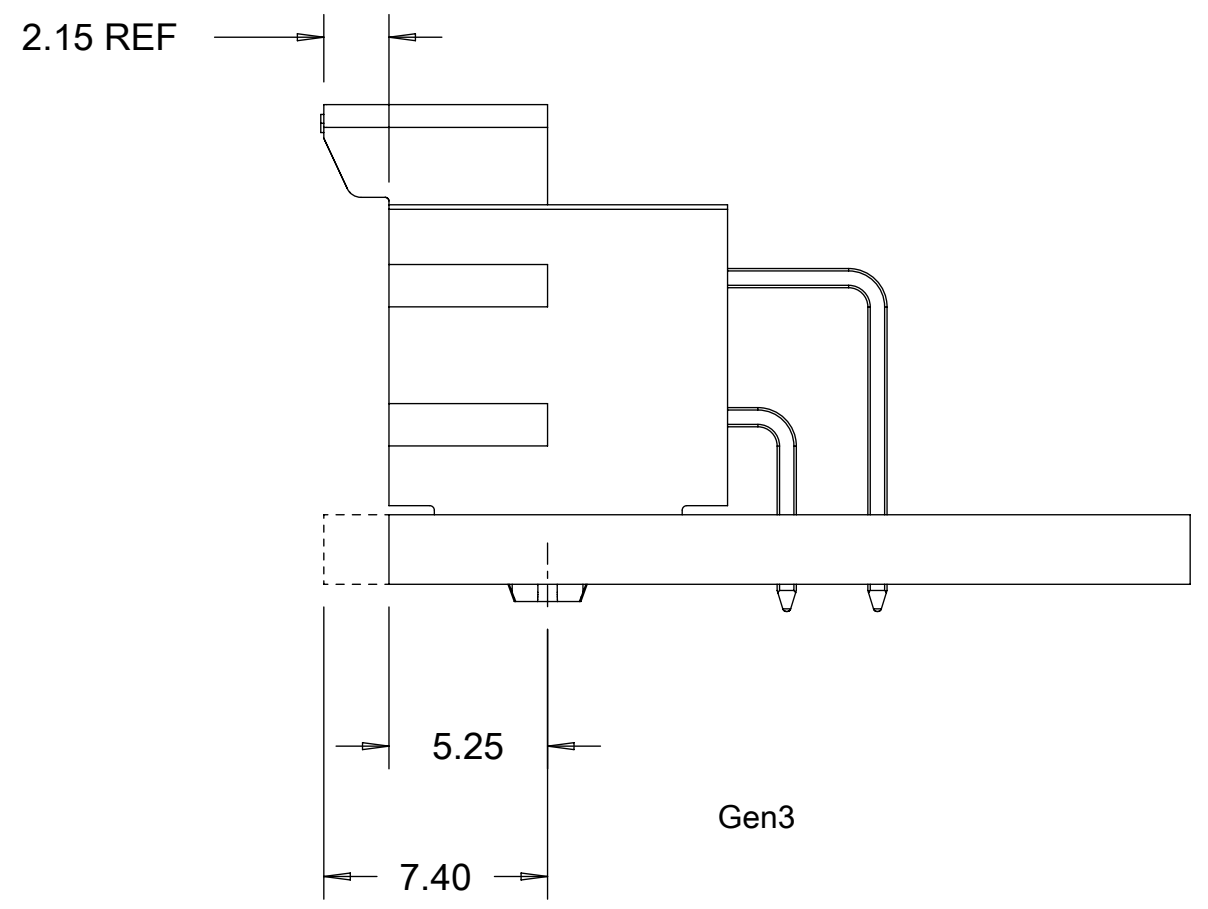
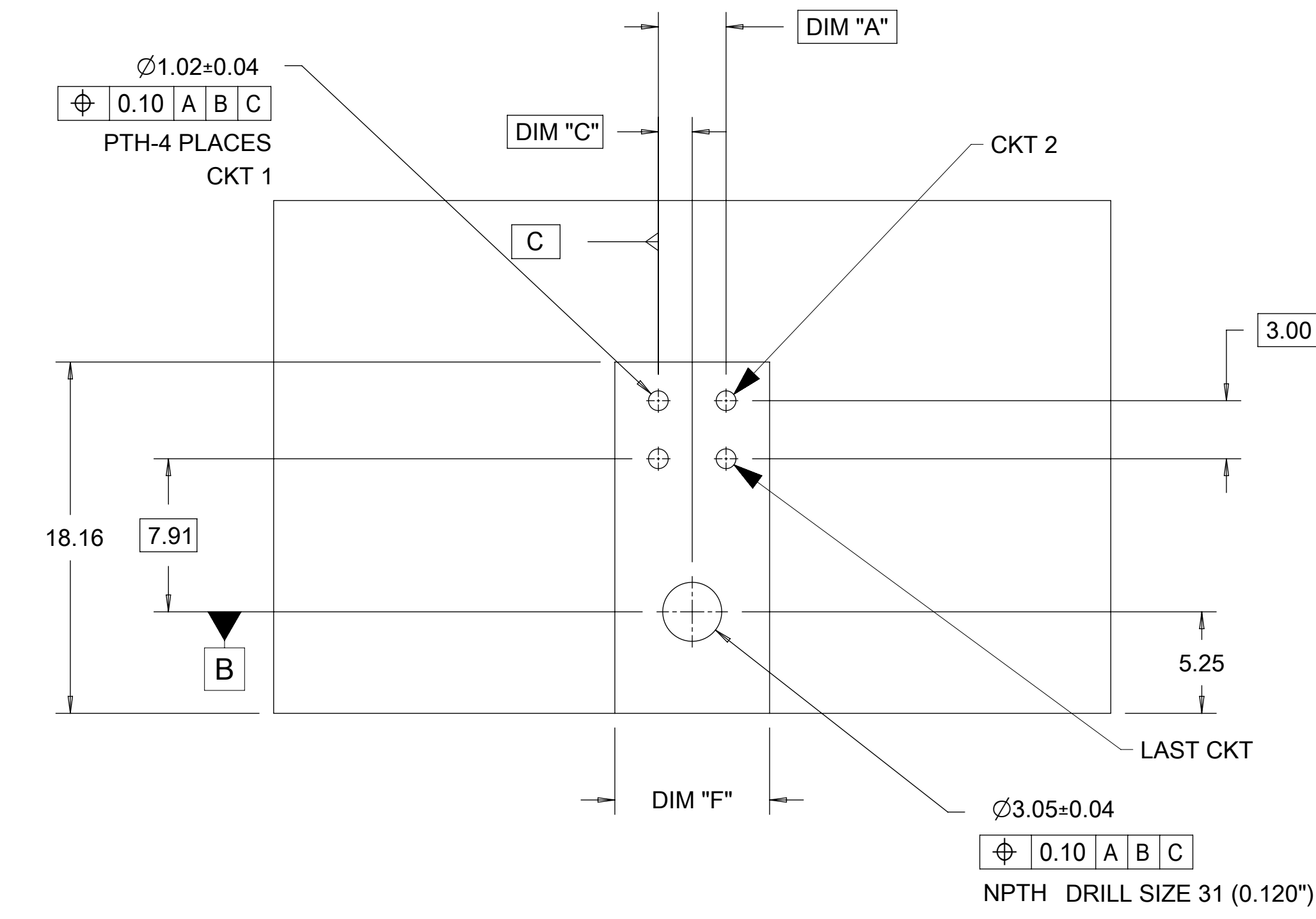
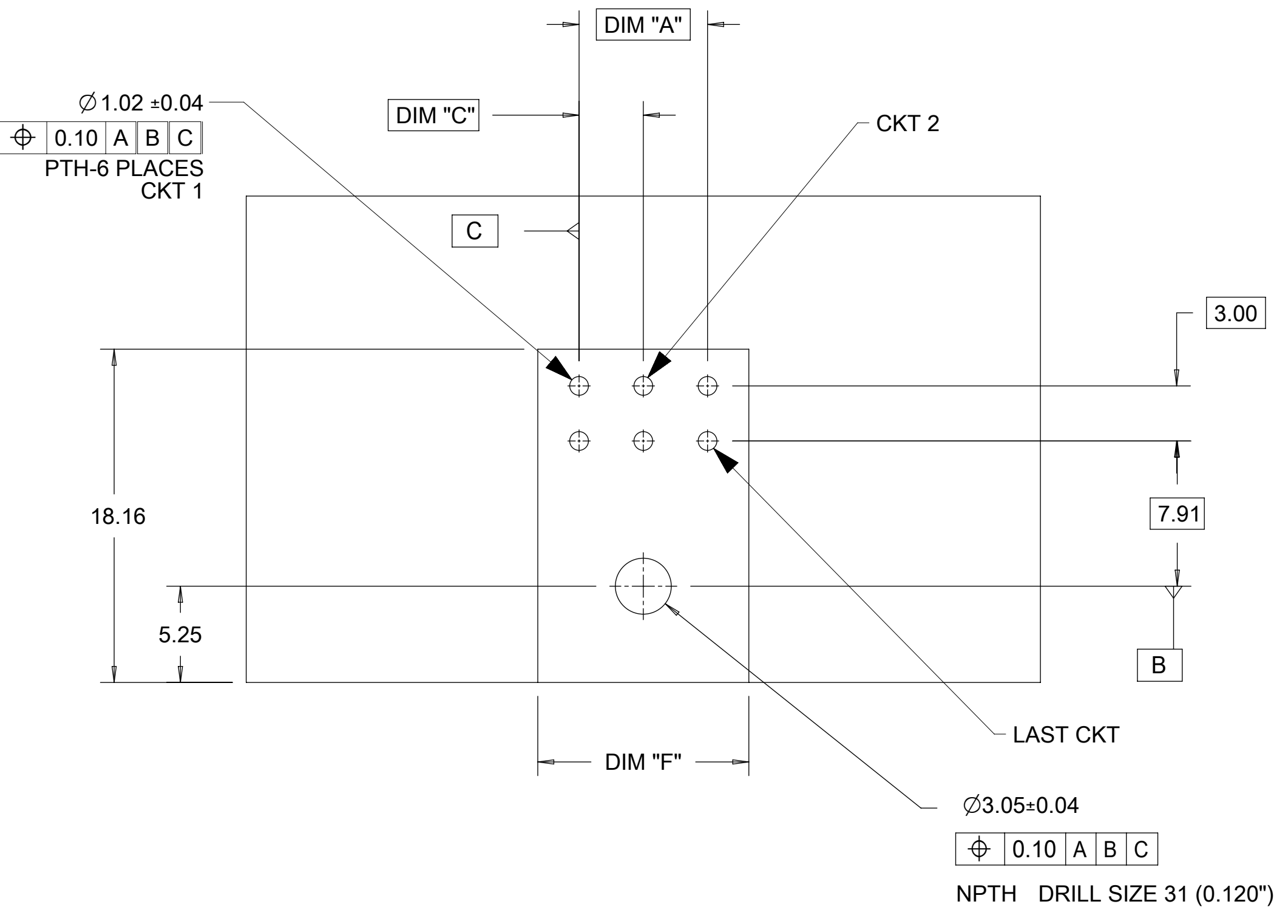
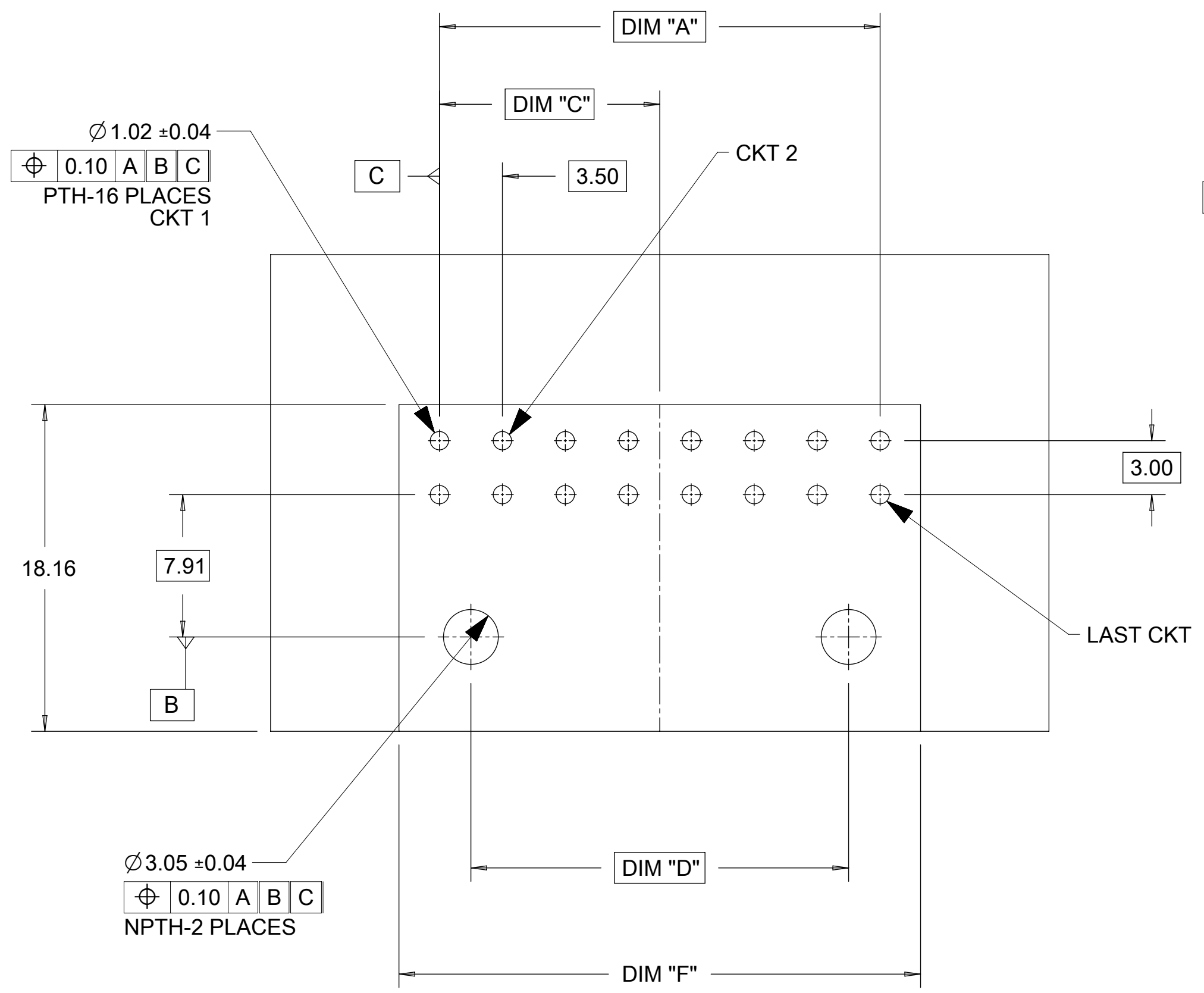
THIS DRAWING CONTAINS INFORMATION THAT IS PROPRIETARY TO MOLEX ELECTRONIC TECHNOLOGIES, LLC AND SHOULD NOT BE USED WITHOUT WRITTEN PERMISSION									
DIMENSION UNITS	SCALE	CURRENT REV DESC: REMOVED OBSOLETE PART NUMBER AS PER PCN#510805.							
mm	1:1								
GENERAL TOLERANCES (UNLESS SPECIFIED)									
ANGULAR TOL	± °								
4 PLACES	±	EC NO: 720125							
3 PLACES	±	DRWN: SANTHN	2022/09/05						
2 PLACES	± 0.25	CHK'D: GGA	2022/09/07						
1 PLACE	± 0.5	APPR: GGA	2022/09/07						
0 PLACES	±	INITIAL REVISION:							
DRAFT WHERE APPLICABLE MUST REMAIN WITHIN DIMENSIONS		DRWN: DROSCA	2014/03/06						
		APPR: JCOMERCI	2014/04/24						
THIRD ANGLE PROJECTION	DRAWING	SERIES	MATERIAL NUMBER	CUSTOMER	SHEET NUMBER				
	D-SIZE	172316	SEE TABLE	GENERAL MARKET	1 OF 3				

molex

ULTRA-FIT R/A HEADER
4-16 CKTS DUAL ROW

PRODUCT CUSTOMER DRAWING

DOCUMENT NUMBER: **SD-172316-1000** DOC TYPE: PSD DOC PART: 000 REVISION: F7



OPTION 1: LATCH FLUSH WITH PCB EDGE
OPTION 2: HOUSING BODY FLUSH WITH PCB EDGE

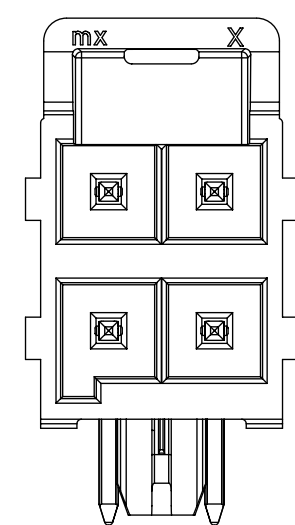
NOTE: DATUM -A- IS ON COMPONENT SIDE PCB

15 MICROINCH GOLD PLATING							
PART NO.	COLOR	CIRCUIT SIZE	KEY OPTION	DIM A	DIM F	DIM C	DIM D
172316-2206	NATURAL	6	KEY B	7.00	11.50	3.50	0.00
172316-2210	NATURAL	10	KEY B	14.00	18.50	7.00	10.50
172316-2216	NATURAL	16	KEY B	24.50	29.00	12.25	21.00

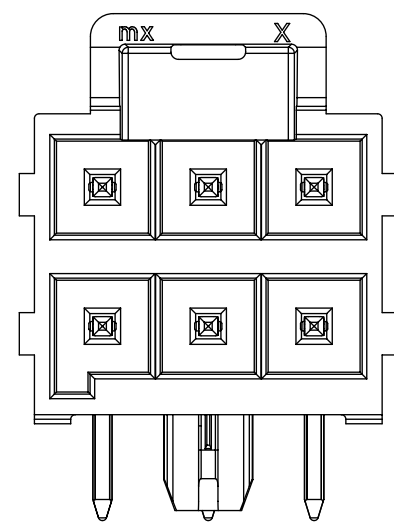
30 MICROINCH GOLD PLATING							
PART NO.	COLOR	CIRCUIT SIZE	KEY OPTION	DIM A	DIM F	DIM C	DIM D
172316-2304	NATURAL	4	KEY B	3.50	8.00	1.75	0.00

THIS DRAWING CONTAINS INFORMATION THAT IS PROPRIETARY TO MOLEX ELECTRONIC TECHNOLOGIES, LLC AND SHOULD NOT BE USED WITHOUT WRITTEN PERMISSION

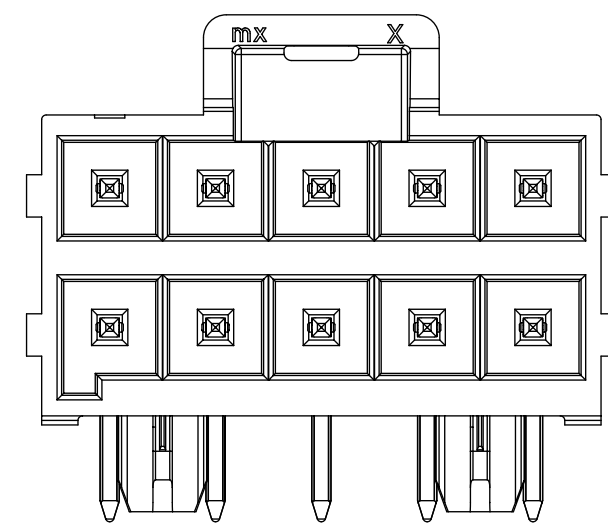
DIMENSION UNITS mm	SCALE 1:1	CURRENT REV DESC: REMOVED OBSOLETE PART NUMBER AS PER PCN#510805.					
GENERAL TOLERANCES (UNLESS SPECIFIED)		EC NO: 720125					
ANGULAR TOL	± °	DRWN: SANTHN 2022/09/05		PRODUCT CUSTOMER DRAWING			
4 PLACES	±	CHK'D: GGA 2022/09/07		DOCUMENT NUMBER			
3 PLACES	±	APPR: GGA 2022/09/07		DOC TYPE			
2 PLACES	± 0.25	INITIAL REVISION:		DOC PART			
1 PLACE	± 0.5	DRWN: DROSCA 2014/03/06		REVISION			
0 PLACES	±	APPR: JCOMERCI 2014/04/24		SD-172316-1000			
DRAFT WHERE APPLICABLE MUST REMAIN WITHIN DIMENSIONS		THIRD ANGLE PROJECTION	DRAWING	SERIES	MATERIAL NUMBER	CUSTOMER	SHEET NUMBER
			D-SIZE	172316	SEE TABLE	GENERAL MARKET	2 OF 3



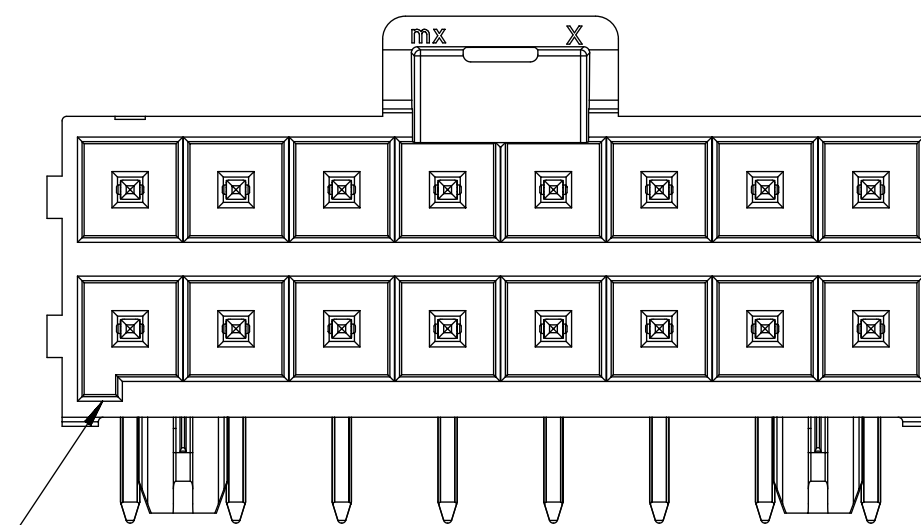
4 CKT



6 CKT

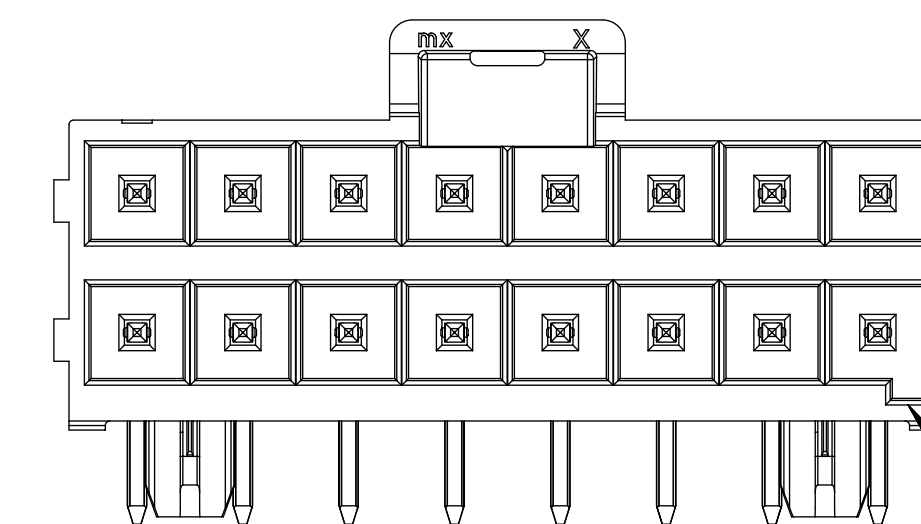


10 CKT



KEY A
(BLACK)

16 CKT



KEY B
(NATURAL)

THIS DRAWING CONTAINS INFORMATION THAT IS PROPRIETARY TO MOLEX ELECTRONIC TECHNOLOGIES, LLC AND SHOULD NOT BE USED WITHOUT WRITTEN PERMISSION																		
DIMENSION UNITS		SCALE		CURRENT REV DESC: REMOVED OBSOLETE PART NUMBER AS PER PCN#510805.						molex								
mm		1:1																
GENERAL TOLERANCES (UNLESS SPECIFIED)				EC NO: 720125 DRWN: SANTHN 2022/09/05 CHK'D: GGA 2022/09/07 APPR: GGA 2022/09/07 INITIAL REVISION: DRWN: DROSCA 2014/03/06 APPR: JCOMERCI 2014/04/24						DOCUMENT NUMBER		DOC TYPE	DOC PART	REVISION				
ANGULAR TOL ± °										SD-172316-1000						PSD	000	F7
4 PLACES ±										PRODUCT CUSTOMER DRAWING								
3 PLACES ±																		
2 PLACES ± 0.25																		
1 PLACE ± 0.5																		
0 PLACES ±																		
DRAFT WHERE APPLICABLE MUST REMAIN WITHIN DIMENSIONS				THIRD ANGLE PROJECTION		DRAWING		SERIES		MATERIAL NUMBER		CUSTOMER		SHEET NUMBER				
						D-SIZE		172316		SEE TABLE		GENERAL MARKET		3 OF 3				

DOCUMENT STATUS	P1	RELEASE DATE	2022/09/07	11:21:12
-----------------	----	--------------	------------	----------