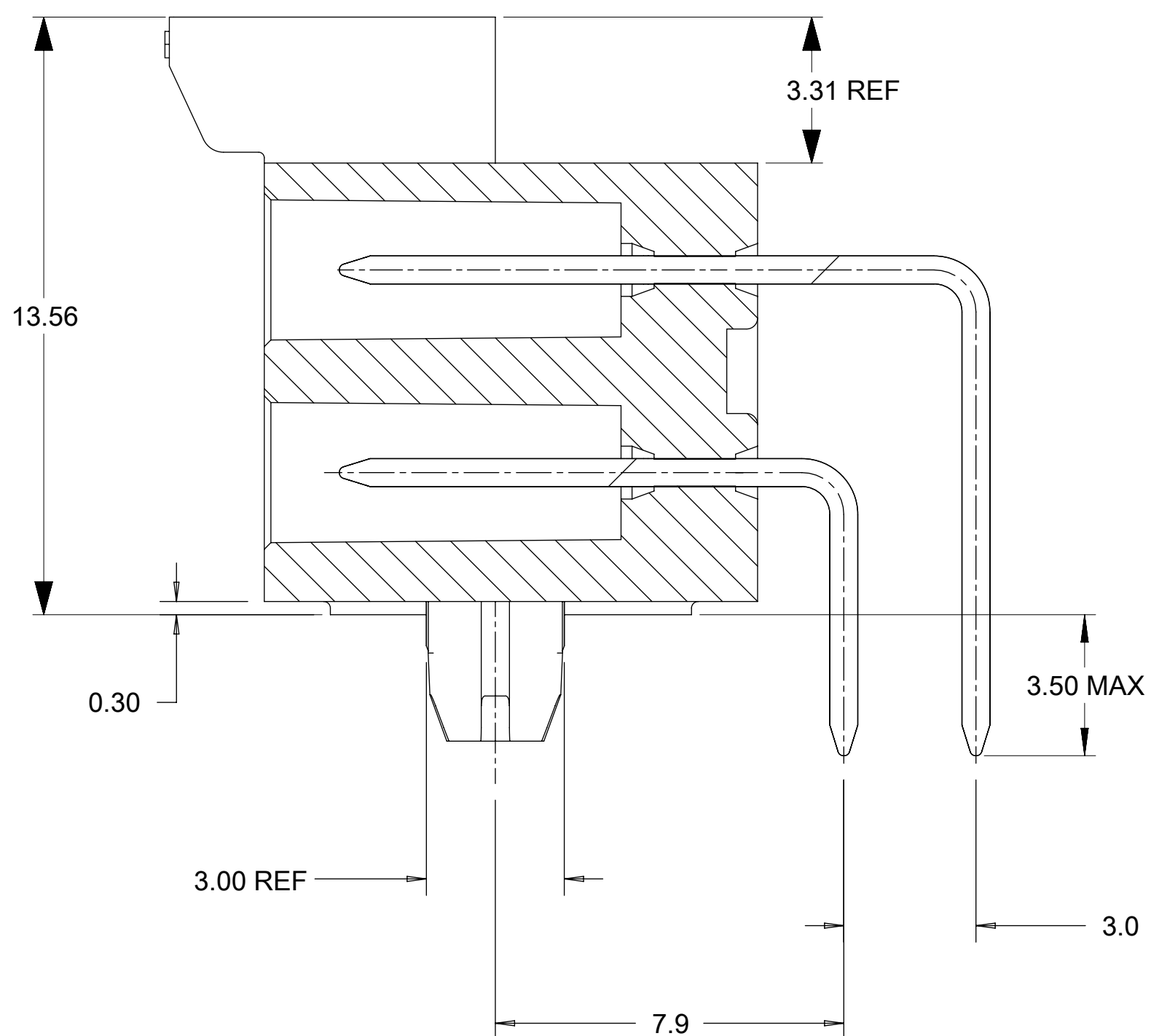
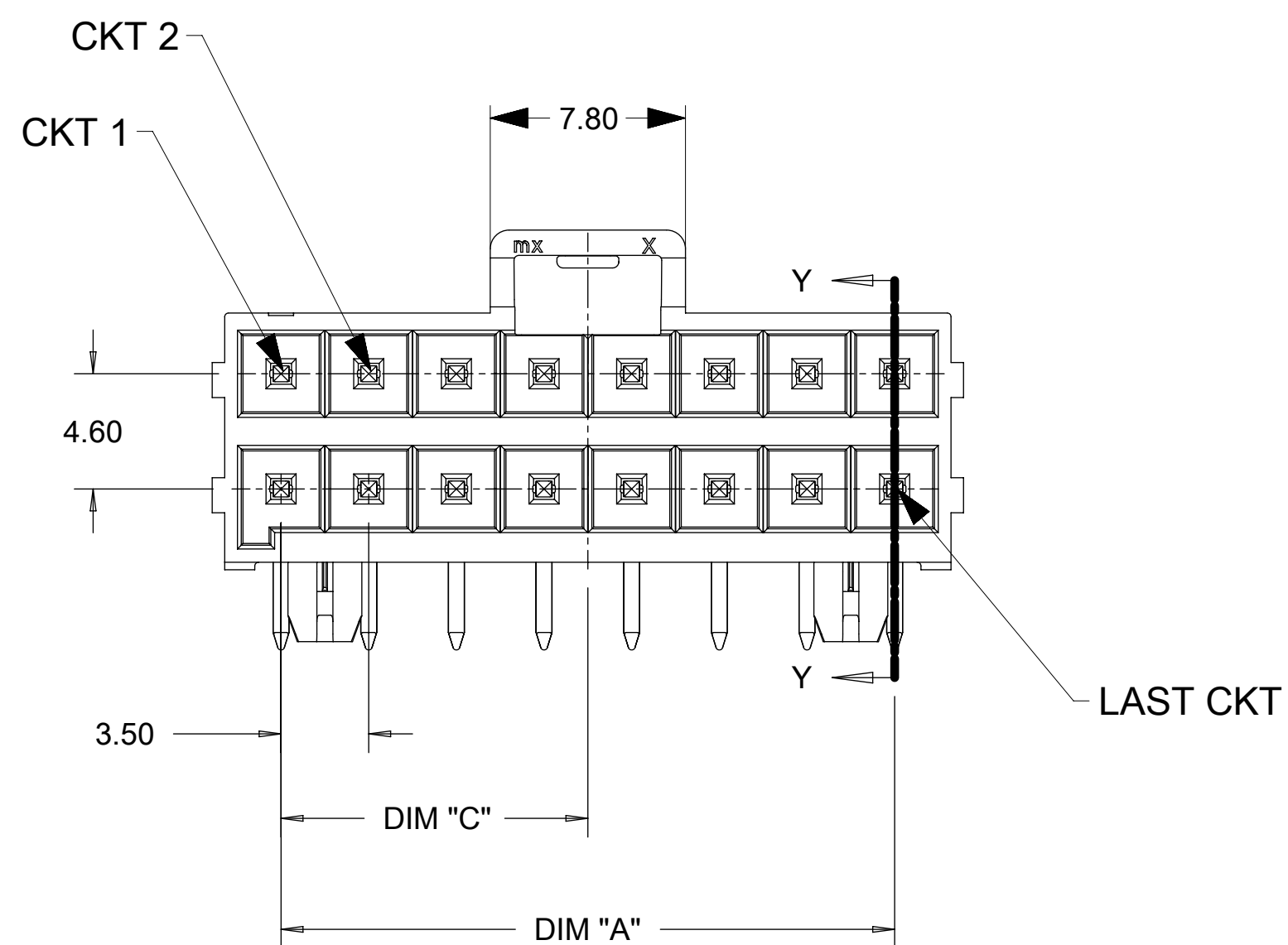
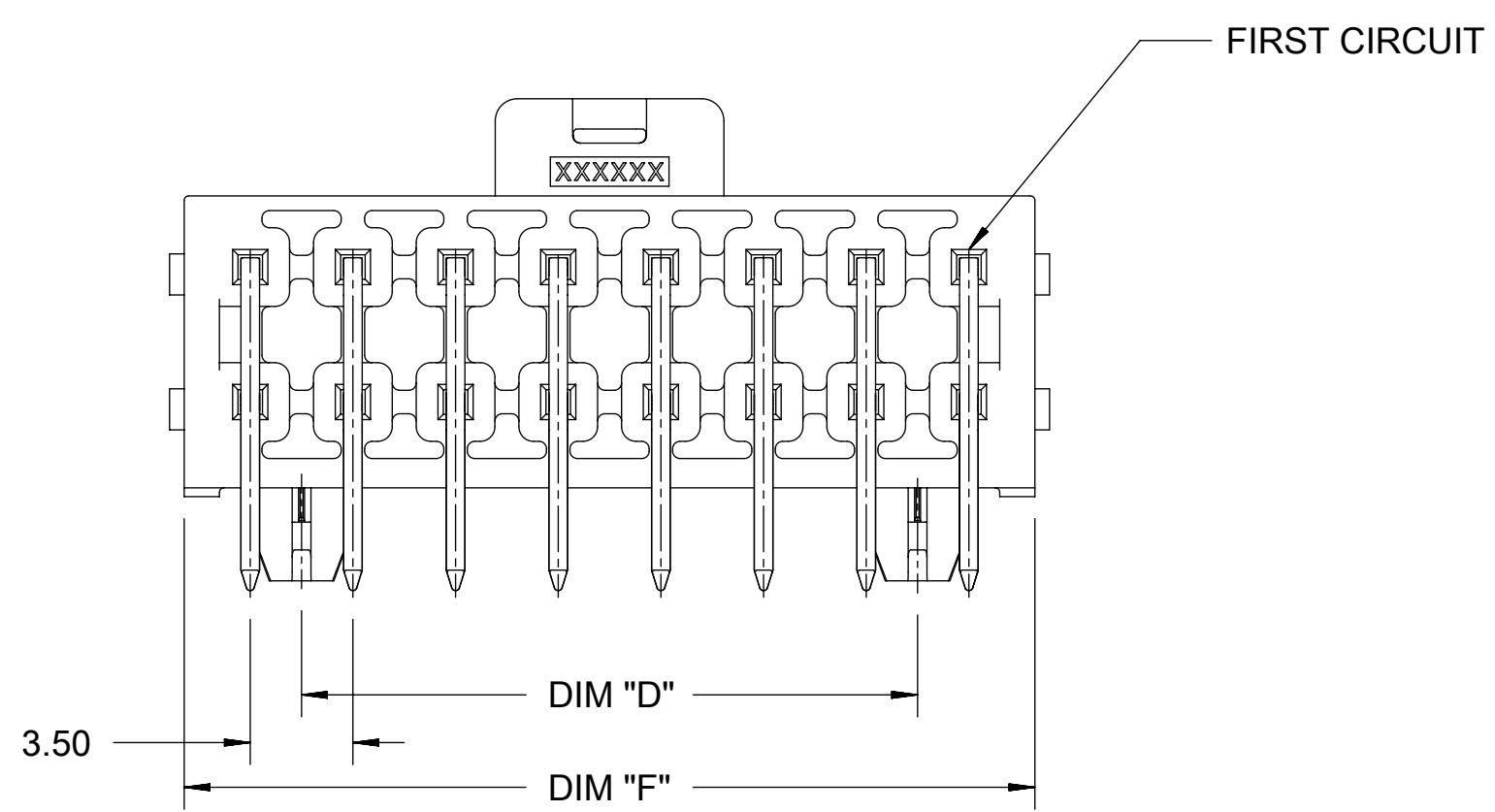


FIRST CIRCUIT MARK
(NOT SHOWING ON 4
AND 6 CIRCUITS SERIES)

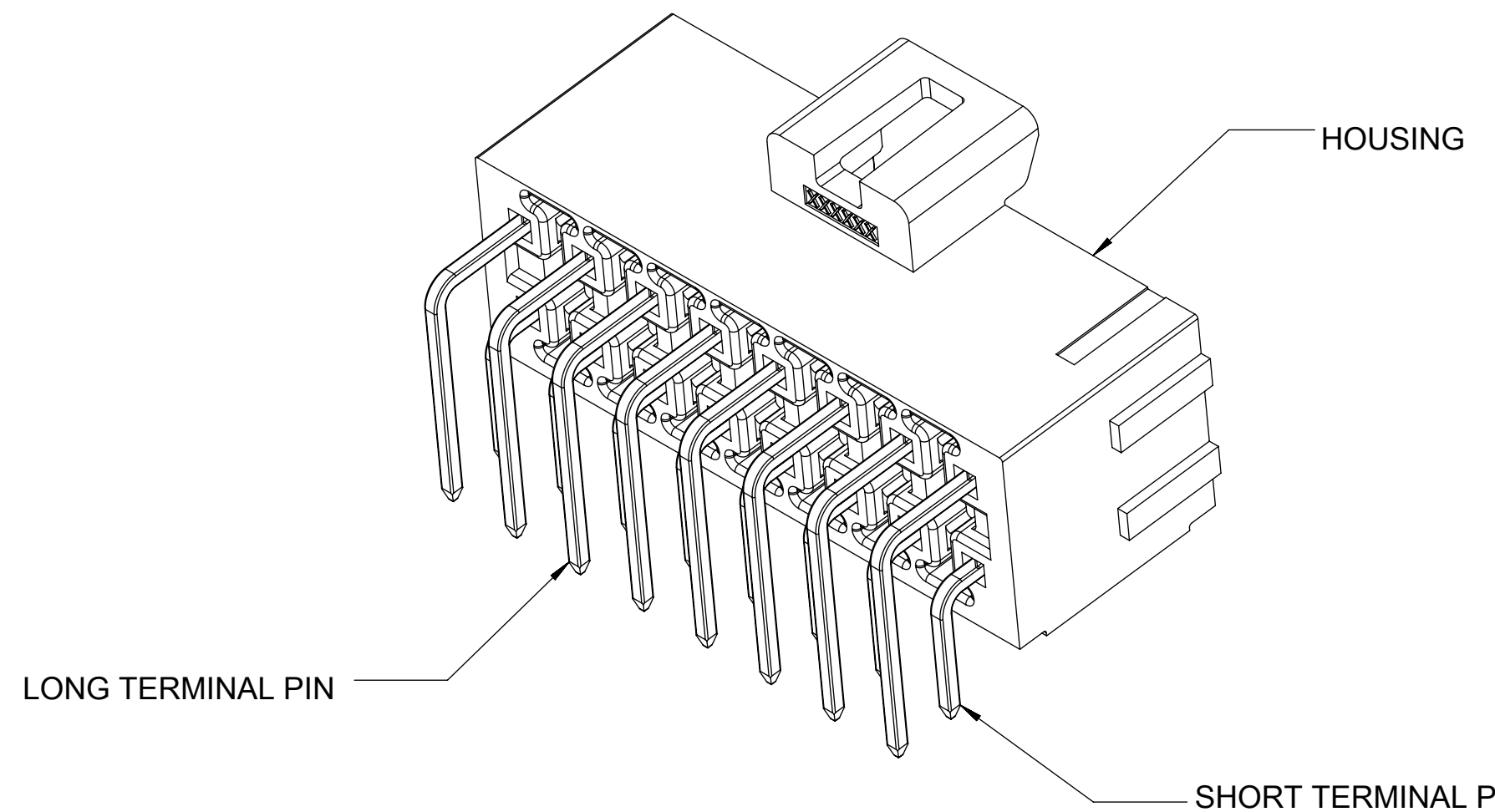
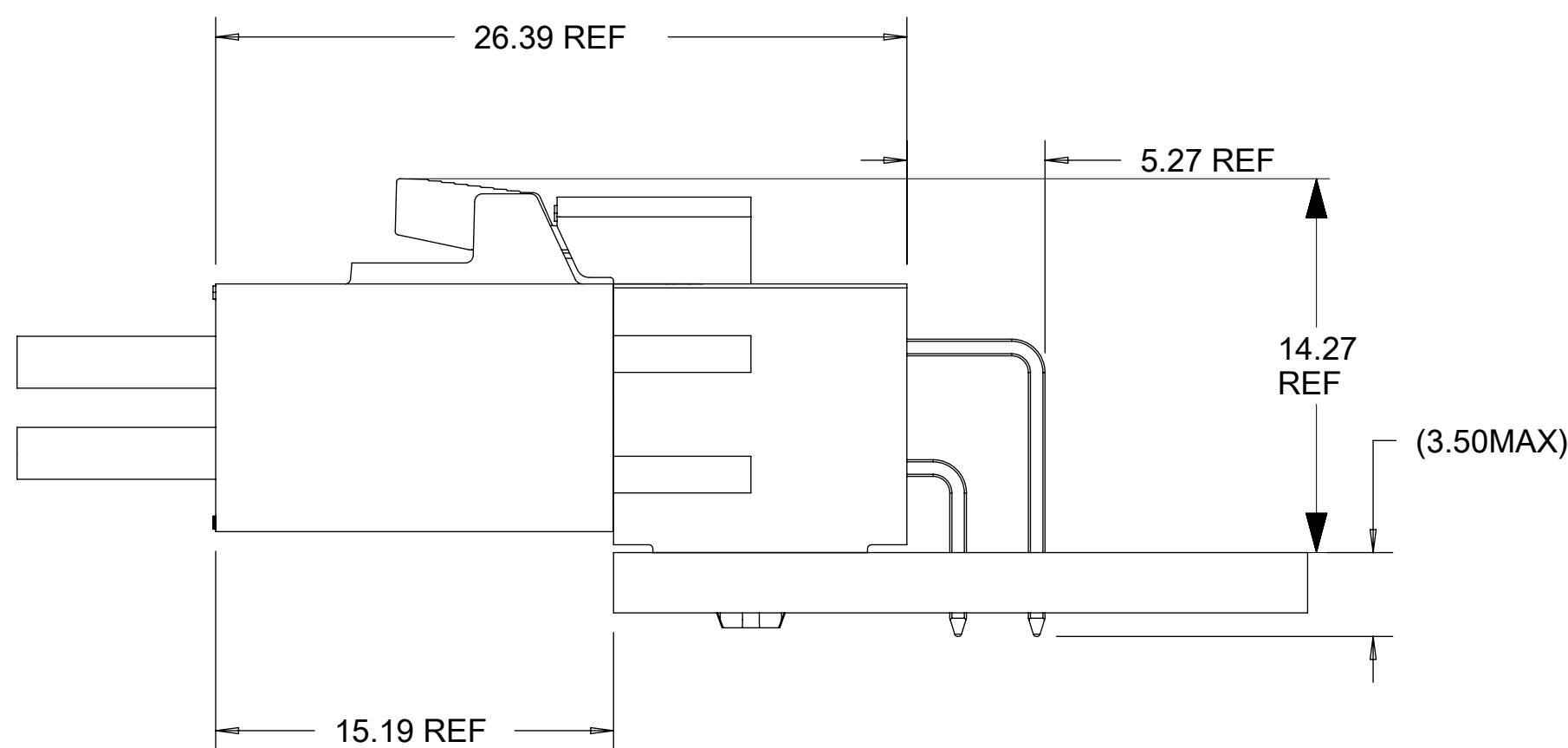


SECTION Y-Y
SCALE 8:1



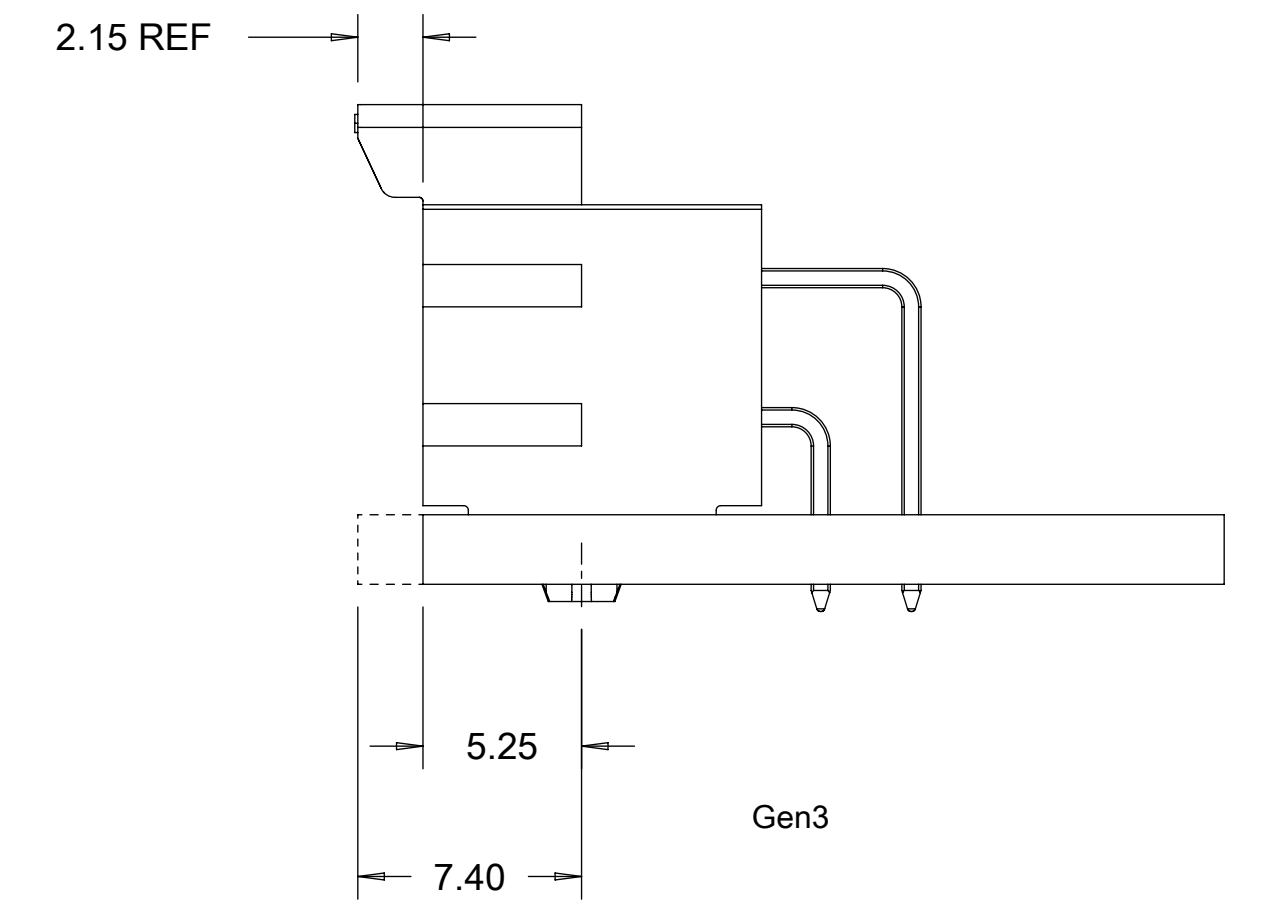
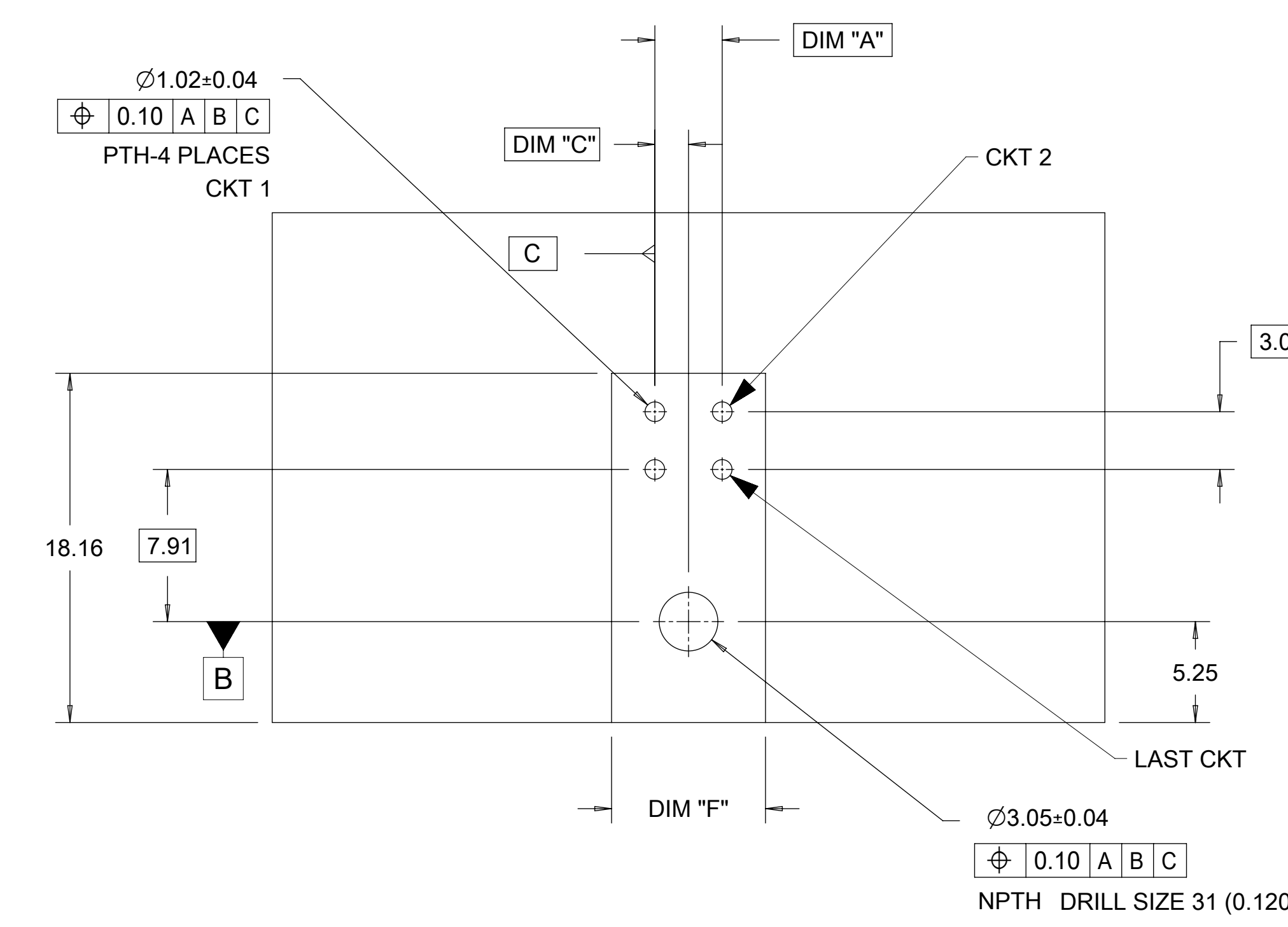
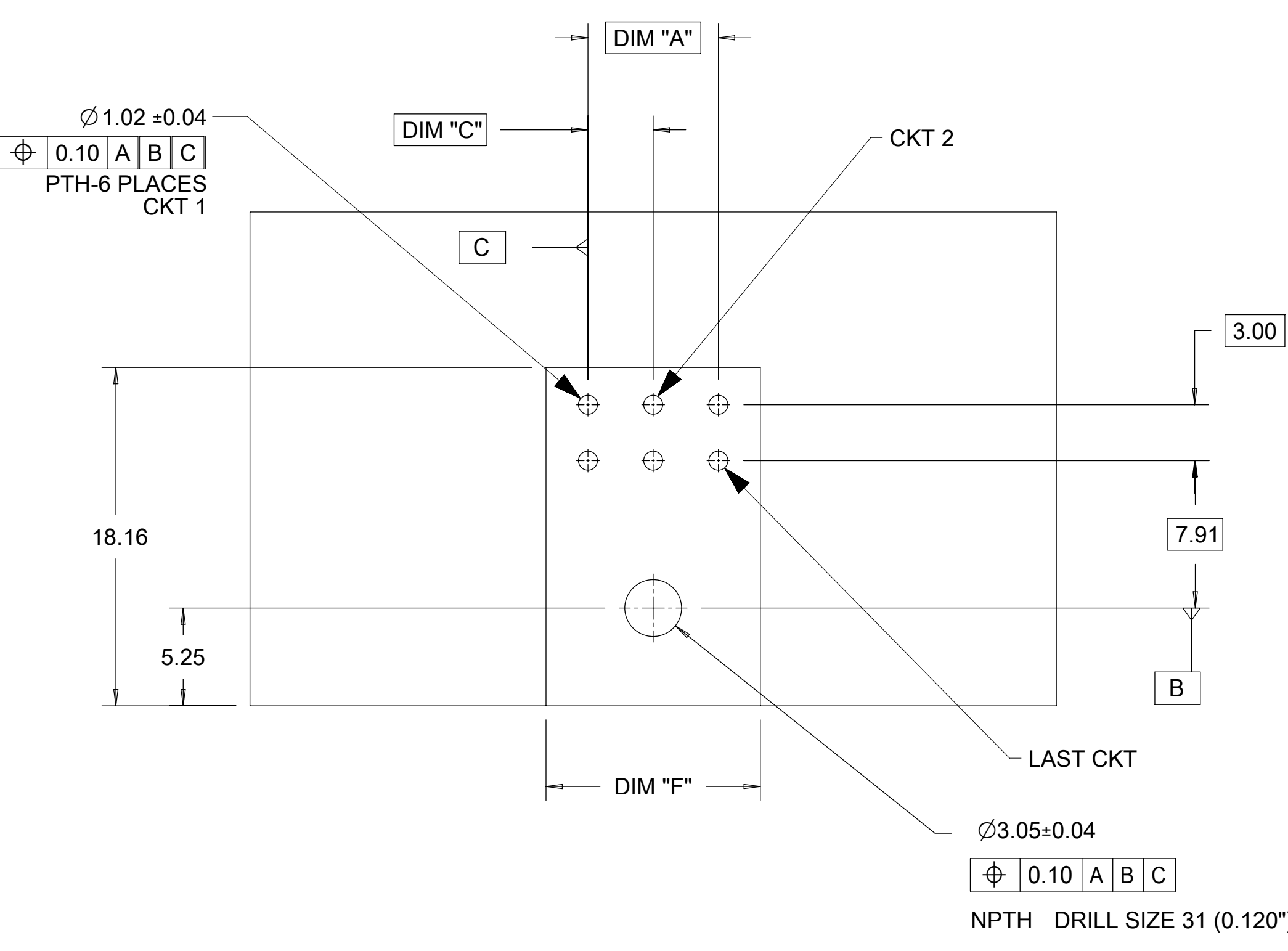
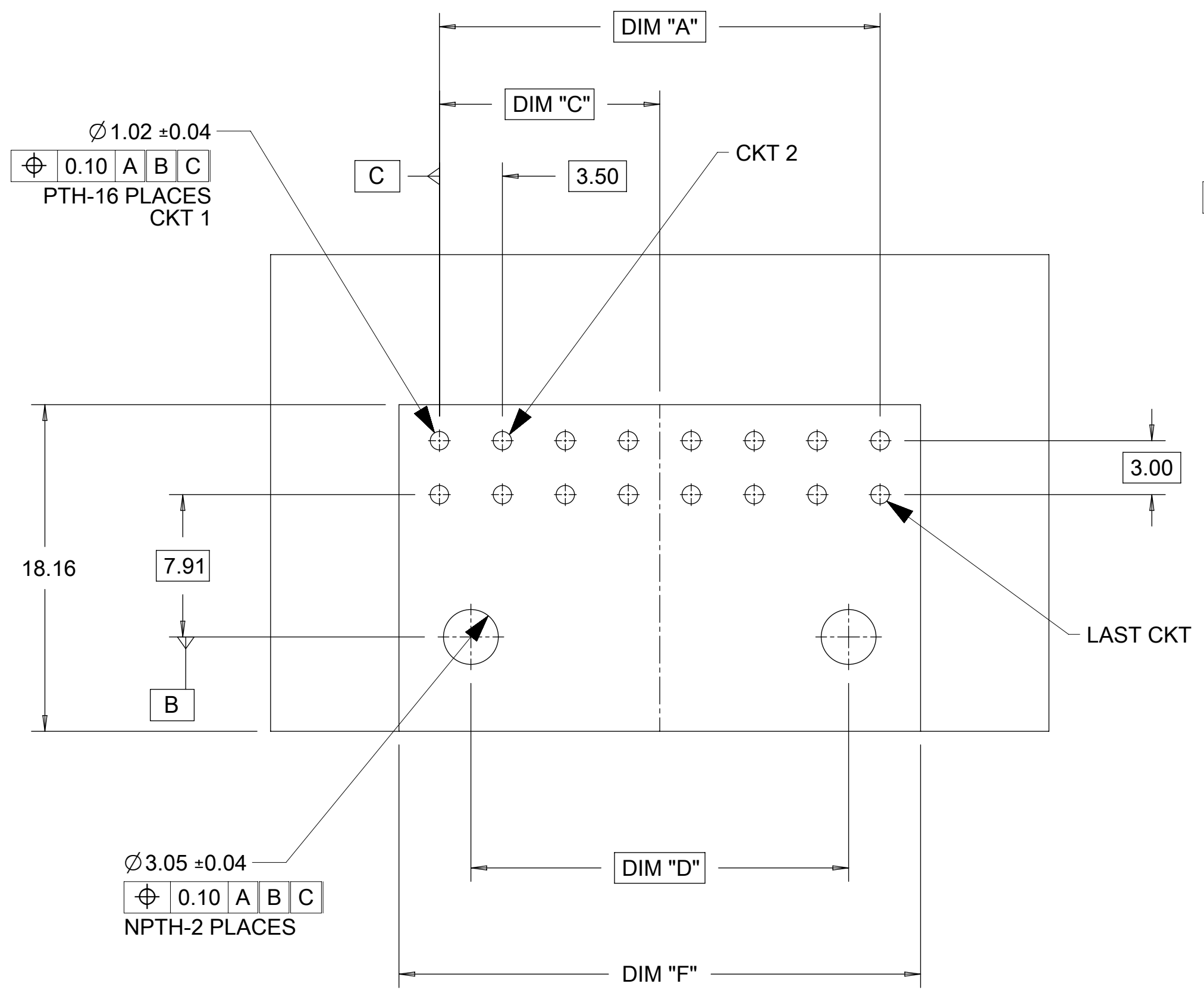
NOTES:

- MATERIAL :
HOUSING
OPTION 1: LCP BLACK, UL94 V-0
OPTION 2: LCP NATURAL, UL94 V-0
TERMINAL: COPPER ALLOY
- PLATING FINISH:
OPTION 1 - 1.5µm(60µin)-2.5µm(100µin) TIN OVER
1.25µm(50µin)-2.5µm(100µin) NICKEL OVERALL
OPTION 2 - 0.35µm(15µin) GOLD CONTACT AREA,
1.5µm(60µin)-2.5µm(100µin) TIN TAIL AREA OVER
1.25µm(50µin)-2.5µm(100µin) NICKEL OVERALL
OPTION 3 - 0.70µm(30µin) GOLD CONTACT AREA,
1.5µm(60µin)-2.5µm(100µin) TIN TAIL AREA OVER
1.25µm(50µin)-2.5µm(100µin) NICKEL OVERALL
- PARTS TO BE PACKAGED PER 1723161114-PK.
- PRODUCT SPECIFICATION PS-172323-0001
- PART MATES WITH MOLEX RECEPTACLE HOUSING 172258 AND 172262
- PART CONFORMS TO CLASS "C" REQUIREMENTS OF SPECIFICATION PS-45499-002 WITH 0.13 MM MAXIMUM FLASH ALLOWED IN CORE HOLES AND FRONT SURFACE.
- DISCOLORATION IN THE BANDOLIER AREA OF THE PIN IS INHERENT TO THE PLATING PROCESS AND IS DUE TO THE MASKING EFFECT OF THE CARRIER. THIS DISCOLORATION IS IN A NON-FUNCTIONAL AREA OF THE PIN AND WILL NOT AFFECT THE PERFORMANCE OF THE HEADER ASSEMBLY.
- ASSEMBLY SPECIFICATION: AS-172323-0001.



THIS DRAWING CONTAINS INFORMATION THAT IS PROPRIETARY TO MOLEX ELECTRONIC TECHNOLOGIES, LLC AND SHOULD NOT BE USED WITHOUT WRITTEN PERMISSION											
DIMENSION UNITS	SCALE	CURRENT REV DESC: REMOVED OBSOLETE PART NUMBER AS PER PCN#510805.									
mm	1:1										
GENERAL TOLERANCES (UNLESS SPECIFIED)		EC NO: 720125		2022/09/05		ULTRA-FIT R/A HEADER 4-16 CKTS DUAL ROW					
ANGULAR TOL	± °	DRWN: SANTHN		2022/09/07							
4 PLACES	±	CHK'D: GGA		2022/09/07		PRODUCT CUSTOMER DRAWING					
3 PLACES	±	APPR: GGA		2022/09/07							
2 PLACES	± 0.25	INITIAL REVISION:				DOCUMENT NUMBER SD-172316-1000					
1 PLACE	± 0.5	DRWN: DROSCA		2014/03/06						DOC TYPE	
0 PLACES	±	APPR: JCOMERCI		2014/04/24		PSD		000		F7	
DRAFT WHERE APPLICABLE MUST REMAIN WITHIN DIMENSIONS		THIRD ANGLE PROJECTION		DRAWING		SERIES		MATERIAL NUMBER		CUSTOMER	
				D-SIZE		172316		SEE TABLE		GENERAL MARKET	
										SHEET NUMBER	
										1 OF 3	

DOCUMENT STATUS	P1	RELEASE DATE	2022/09/07	11:21:12
-----------------	----	--------------	------------	----------



OPTION 1: LATCH FLUSH WITH PCB EDGE
OPTION 2: HOUSING BODY FLUSH WITH PCB EDGE

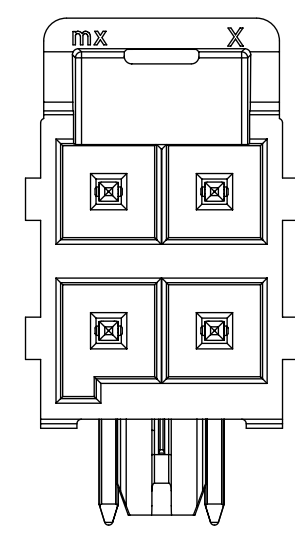
NOTE: DATUM -A- IS ON COMPONENT SIDE PCB

15 MICROINCH GOLD PLATING							
PART NO.	COLOR	CIRCUIT SIZE	KEY OPTION	DIM A	DIM F	DIM C	DIM D
172316-2206	NATURAL	6	KEY B	7.00	11.50	3.50	0.00
172316-2210	NATURAL	10	KEY B	14.00	18.50	7.00	10.50
172316-2216	NATURAL	16	KEY B	24.50	29.00	12.25	21.00

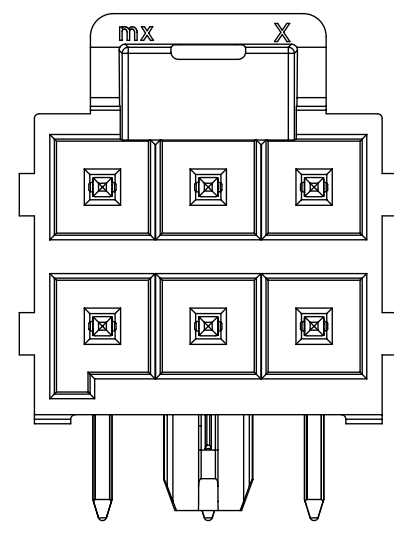
30 MICROINCH GOLD PLATING							
PART NO.	COLOR	CIRCUIT SIZE	KEY OPTION	DIM A	DIM F	DIM C	DIM D
172316-2304	NATURAL	4	KEY B	3.50	8.00	1.75	0.00

THIS DRAWING CONTAINS INFORMATION THAT IS PROPRIETARY TO MOLEX ELECTRONIC TECHNOLOGIES, LLC AND SHOULD NOT BE USED WITHOUT WRITTEN PERMISSION

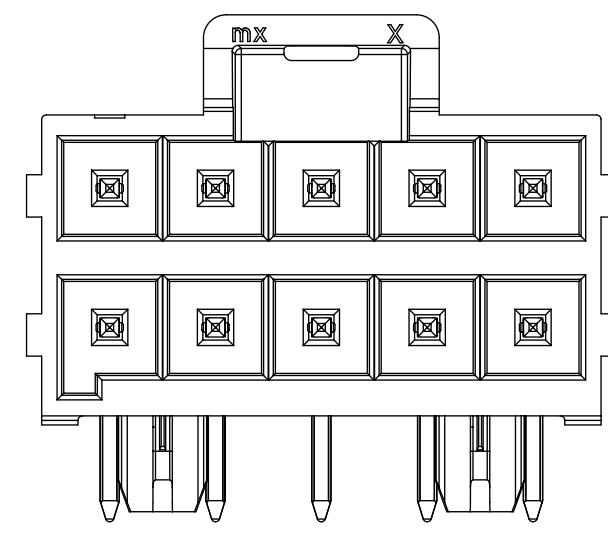
DIMENSION UNITS mm	SCALE 1:1	CURRENT REV DESC: REMOVED OBSOLETE PART NUMBER AS PER PCN#510805.				
GENERAL TOLERANCES (UNLESS SPECIFIED)						
ANGULAR TOL	± °	EC NO: 720125	ULTRA-FIT R/A HEADER 4-16 CKTS DUAL ROW			
4 PLACES	±	DRWN: SANTHN 2022/09/05				
3 PLACES	±	CHK'D: GGA 2022/09/07	PRODUCT CUSTOMER DRAWING			
2 PLACES	± 0.25	APPR: GGA 2022/09/07				
1 PLACE	± 0.5	INITIAL REVISION:	DOCUMENT NUMBER	DOC TYPE	DOC PART	REVISION
0 PLACES	±	DRWN: DROSCA 2014/03/06	SD-172316-1000	PSD	000	F7
DRAFT WHERE APPLICABLE MUST REMAIN WITHIN DIMENSIONS		APPR: JCOMERCI 2014/04/24	MATERIAL NUMBER	CUSTOMER		SHEET NUMBER
		THIRD ANGLE PROJECTION	DRAWING	SERIES	SEE TABLE	
			D-SIZE	172316	GENERAL MARKET	
					2 OF 3	



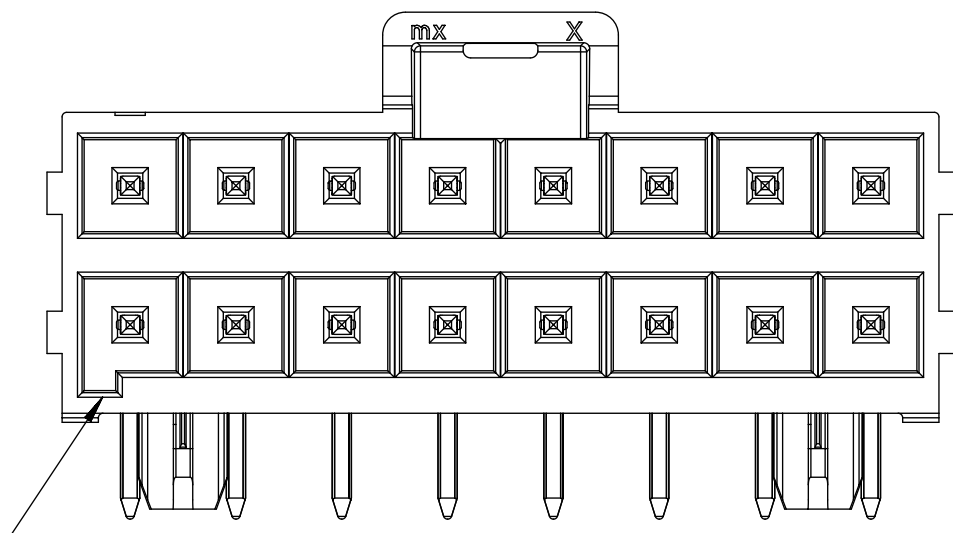
4 CKT



6 CKT

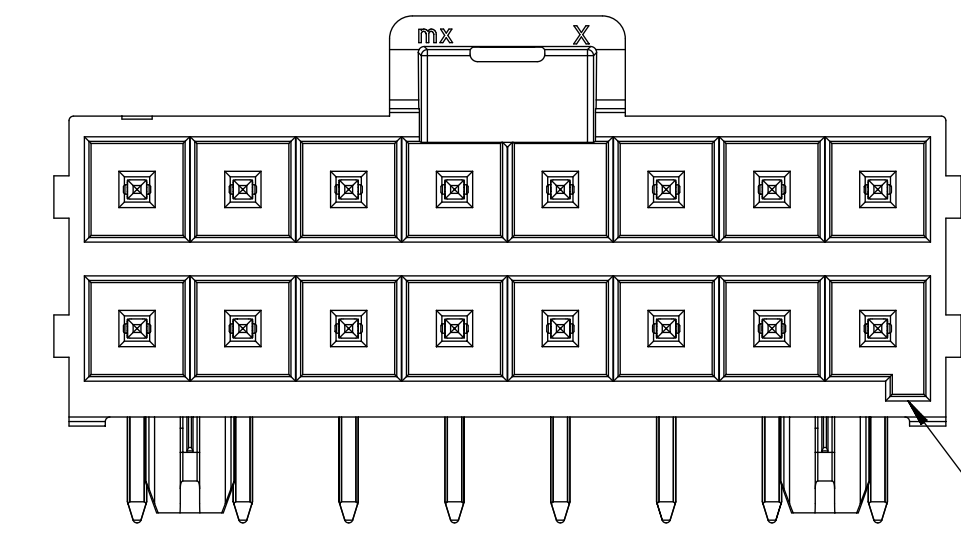


10 CKT


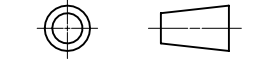


KEY A
(BLACK)

16 CKT



KEY B
(NATURAL)

THIS DRAWING CONTAINS INFORMATION THAT IS PROPRIETARY TO MOLEX ELECTRONIC TECHNOLOGIES, LLC AND SHOULD NOT BE USED WITHOUT WRITTEN PERMISSION											
DIMENSION UNITS	SCALE	CURRENT REV DESC: REMOVED OBSOLETE PART NUMBER AS PER PCN#510805.									
mm	1:1	 ULTRA-FIT R/A HEADER 4-16 CKTS DUAL ROW PRODUCT CUSTOMER DRAWING									
GENERAL TOLERANCES (UNLESS SPECIFIED)											
ANGULAR TOL	± °										
4 PLACES	±										
3 PLACES	±										
2 PLACES	± 0.25										
1 PLACE	± 0.5	EC NO: 720125	DRWN: SANTHN		2022/09/05						
0 PLACES	±	CHK'D: GGA	APPR: GGA		2022/09/07						
DRAFT WHERE APPLICABLE MUST REMAIN WITHIN DIMENSIONS		THIRD ANGLE PROJECTION		DRAWING	SERIES	MATERIAL NUMBER	CUSTOMER	DOCUMENT NUMBER	DOC TYPE	DOC PART	REVISION
				D-SIZE	172316	SEE TABLE	GENERAL MARKET	SD-172316-1000	PSD	000	F7
DOCUMENT STATUS	P1	RELEASE DATE	2022/09/07	11:21:12							