

RoHS COMPLIANT BY EXEMPTION

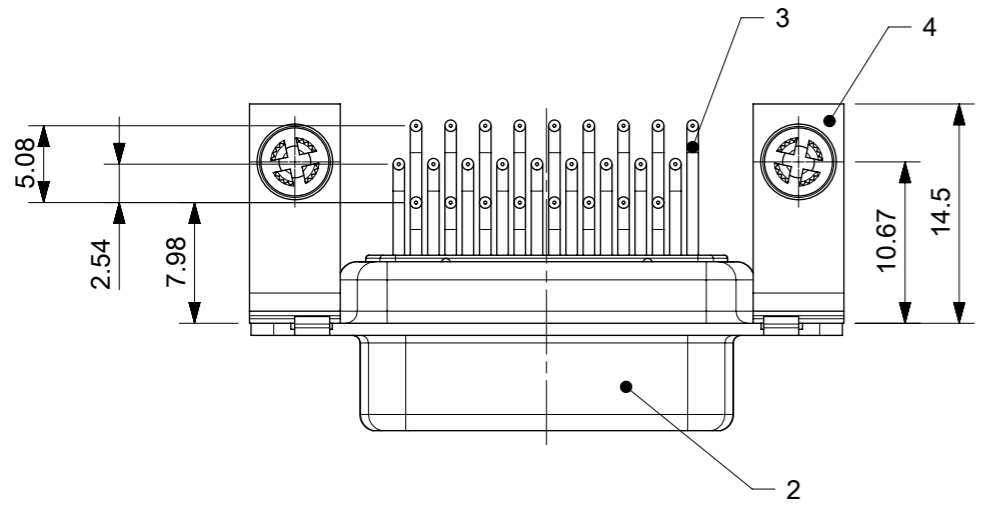


TABLE FOR PART NUMBERS

MOLEX PART#	FCT PART#	X-X	A[mm]	B[mm]	C[mm]	E*[mm]	F*[mm]	NO. OF CONTACTS 1./2./3. ROW	FORMERLY PART NO
1731130157	F15-26S135G0-5979	15-26	39.1	24.7	33.3	Ø1	Ø3	9/9/8	CT15-26S135-5805
1731130158	F25-44S135G0-5979	25-44	53	38.5	47.04			15/15/14	CT25-44S135-5805

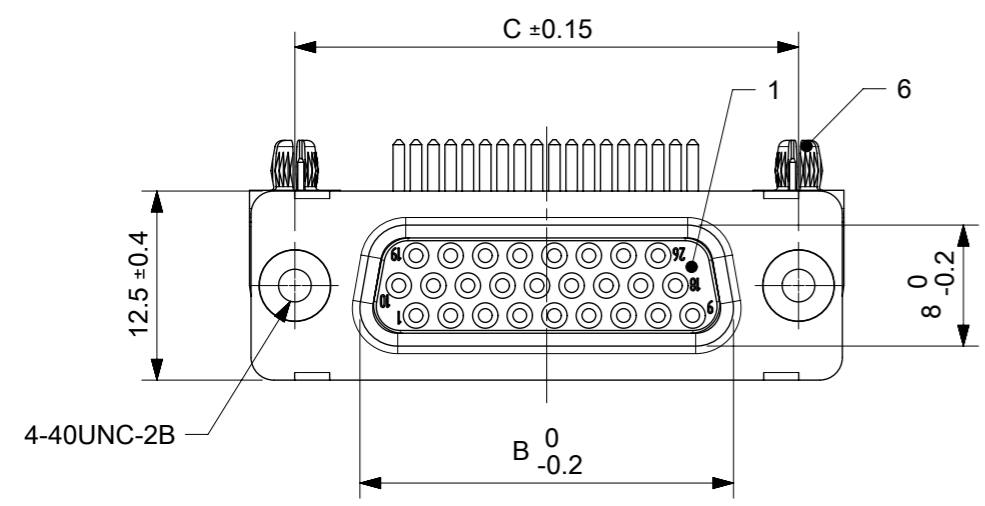
*PCB HOLE PATTERNS, ØE, ØF, ON SUPPLEMENT 1731131003

TABLE FOR GENERAL TOLERANCES

PERMISSIBLE DEVIATIONS FOR BASIC SIZE RANGE				
0.5 UPTO 3	OVER 3 UPTO 6	OVER 6 UPTO 30	OVER 30 UPTO 120	OVER 120 UPTO 400
±0.1	±0.1	±0.2	±0.3	±0.5

X-X NO. OF CONTACTS 09-15, 15-26, 25-44

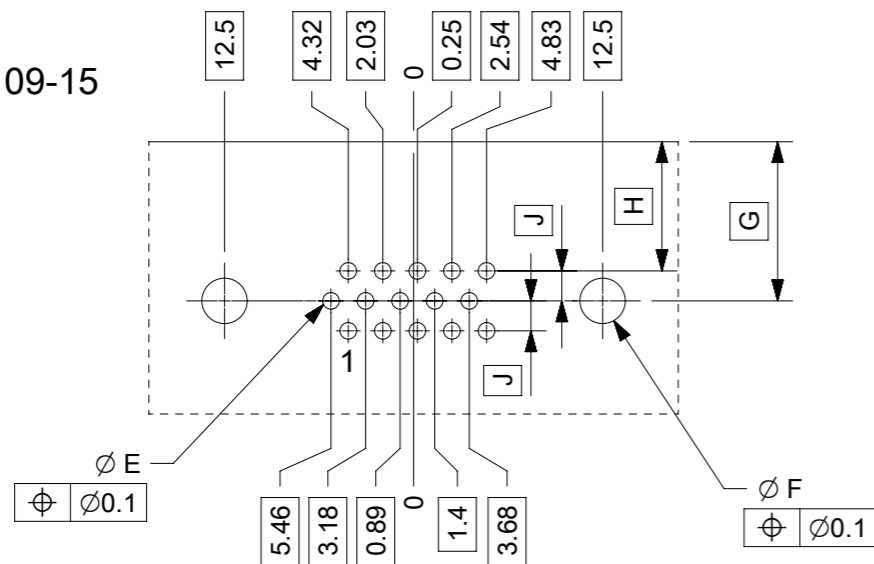
NO.	St.	PART	TYPE DESCRIPTION/MATERIAL	SURFACE PLATING/COLOUR/CLASS
6	2	SNAP-IN RIVET	PCB 1.6mm / BRASS	TIN PLATED
5	2	CLINCH NUT	4-40 / STEEL	TIN PLATED
4	2	BRACKET	F1080-29 / STEEL	TIN PLATED
3	X-X	SIGNAL CONTACT, MACHINED	HS135 / BRASS	0.8µm Au
2	1	SHELL	STEEL	TIN PLATED
1	1	INSULATOR	THERMOPLASTIC, GF	BLACK



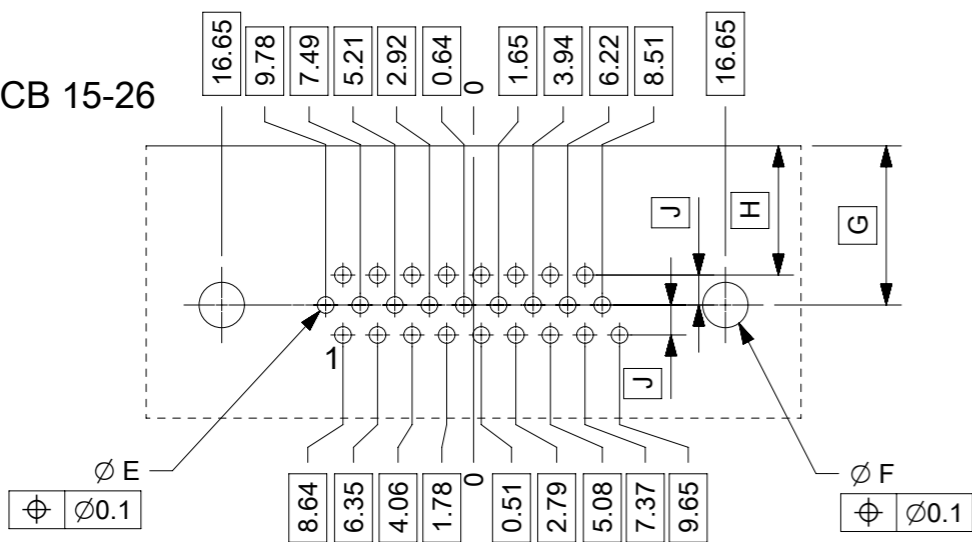
THIS DRAWING CONTAINS INFORMATION THAT IS PROPRIETARY TO MOLEX ELECTRONIC TECHNOLOGIES, LLC AND SHOULD NOT BE USED WITHOUT WRITTEN PERMISSION

DIMENSION UNITS mm	SCALE 2:1	CURRENT REV DESC: OBSOLETE PART NUMBER AS PER PCN#509457.	<p>HPD HIGH DENSITY D-SUB, RIGHT ANGLE PCB CONNECTOR, WITH MACHINED FEMALE SOCKET CONTACTS</p>			
GENERAL TOLERANCES (UNLESS SPECIFIED)		EC NO: 680890				DOCUMENT NUMBER
ANGULAR TOL ± °		DRWN: SANTHN 2021/06/01	1731130156	PSD	000	A2
4 PLACES ±		CHK'D: GGA 2021/11/25				
3 PLACES ±		APPR: GGA 2021/11/25				
2 PLACES ±		INITIAL REVISION:				
1 PLACE ±		DRWN: RLALSANGI 2017/04/14				
0 PLACES ±		APPR: ISHWARG 2017/06/07				
DRAFT WHERE APPLICABLE MUST REMAIN WITHIN DIMENSIONS	THIRD ANGLE PROJECTION	DRAWING	SERIES	MATERIAL NUMBER	CUSTOMER	SHEET NUMBER
		A3-SIZE	173113	SEE TABLE	GENERAL MARKET	1 OF 1

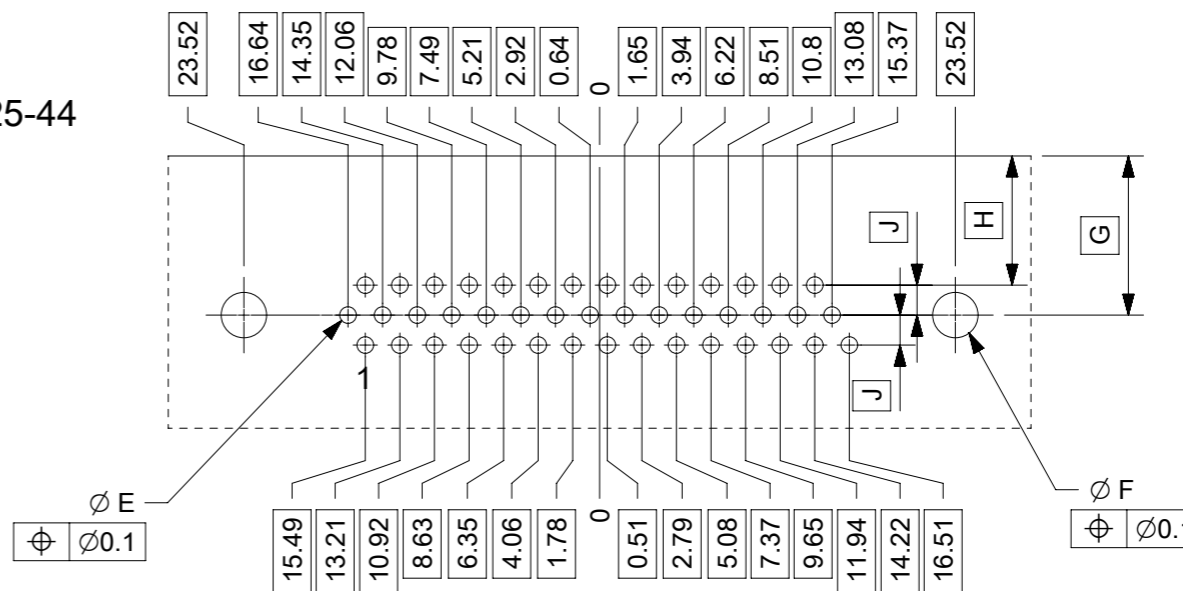
PCB 09-15



PCB 15-26



PCB 25-44



VIEW ON MOUNTING SIDE
 ØE, ØF, G, H, J SEE DATA SHEET INCL. CONNECTOR
 ØF, G CONNECTORS WITH ACCESSORIES ONLY

THIS DRAWING CONTAINS INFORMATION THAT IS PROPRIETARY TO MOLEX ELECTRONIC TECHNOLOGIES, LLC AND SHOULD NOT BE USED WITHOUT WRITTEN PERMISSION												
EC NO: 117803 DRWN: RLALSANGI CHK'D: ISHWARG APPR: ISHWARG	2017/05/12	GENERAL TOLERANCES (UNLESS SPECIFIED)		DIMENSION UNITS	SCALE							
	2017/06/07	ANGULAR TOL ± °		MM	2:1							
	2017/06/07	4 PLACES ±	°	DRWN BY	DATE							
			3 PLACES ±		RLALSANGI	2017/05/12	PCB HOLE PATTERN SOCKET HIGH-DENSITY CONNECTOR RIGHT ANGLED					
			2 PLACES ±		CHK'D BY	DATE						
			1 PLACE ±		ISHWARG	2017/06/07						
		0 PLACES ±		APPR BY	DATE	PRODUCT CUSTOMER DRAWING						
		DRAFT WHERE APPLICABLE MUST REMAIN WITHIN DIMENSIONS		DRAWING SIZE	THIRD ANGLE PROJECTION	SERIES	MATERIAL NUMBER	CUSTOMER				
				A3		173113	NOT APPLICABLE	GENERAL MARKET				
						DOCUMENT NUMBER		DOC TYPE	DOC PART	SHEET NUMBER		
						1731131003		PSD	000	1 OF 1		