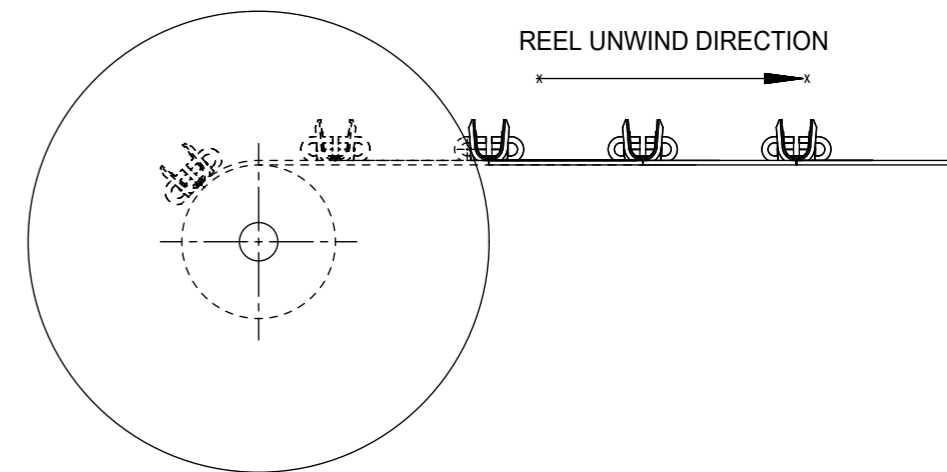
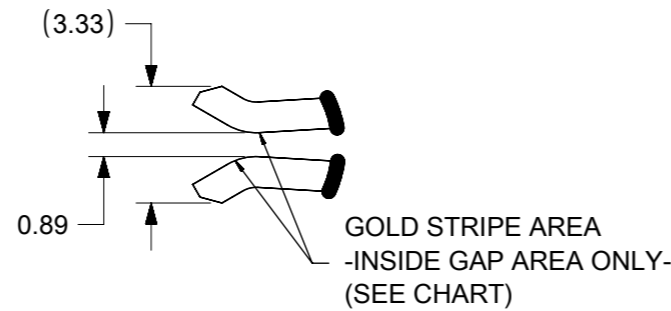
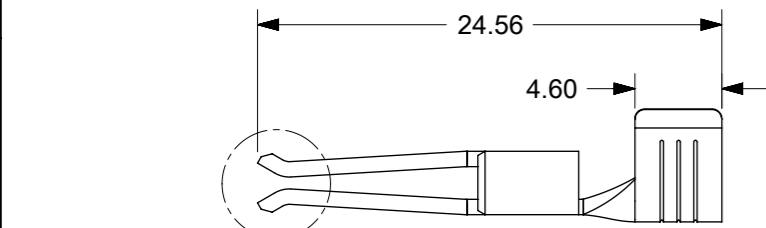
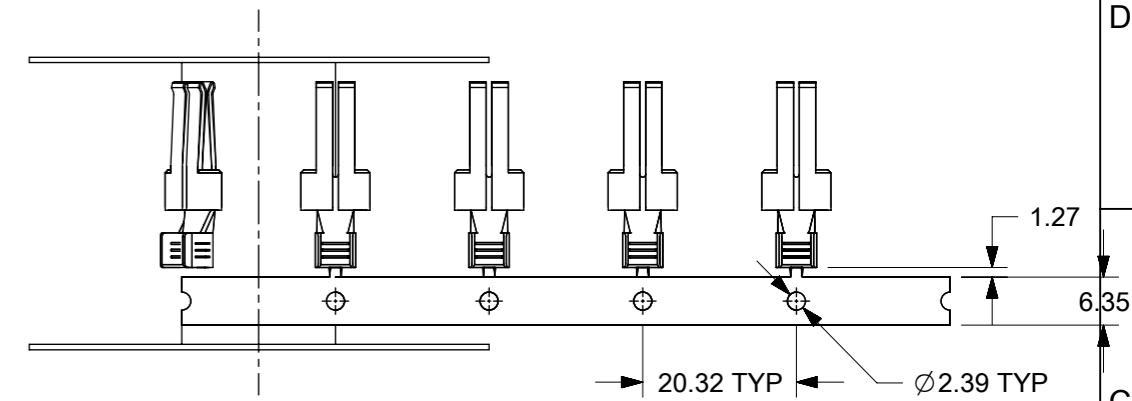
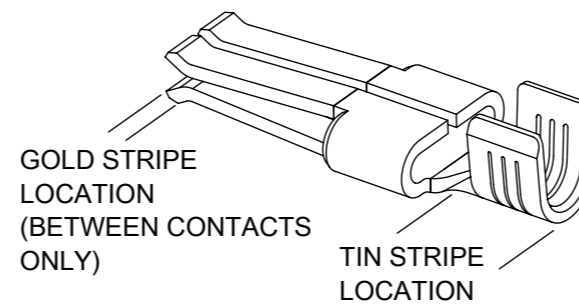
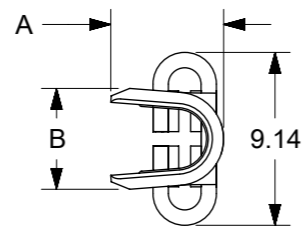
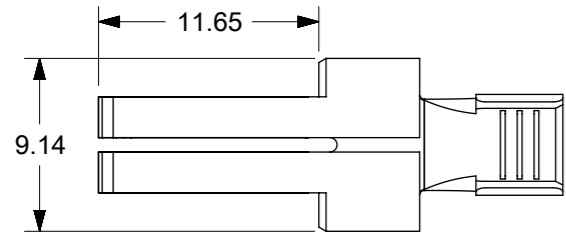


PART NUMBER	PLATING	RECOMMENDED WIRE SIZE	DIM "A" HEIGHT	DIM "B" WIDTH	RECOMMENDED CRIMP APPLICATOR	PACKAGE SIZE
173693-4634	30 " GOLD STRIPE OVER 50 " NICKEL OVERALL WITH 80-130 " SELECT TIN	8 AWG (2) 12 AWG	7.42±0.5	5.84±0.5	63832-6300	1800 PARTS/ REEL
173693-4632		10-12 AWG (2) 14 AWG	5.97±0.5	5.33±0.5	63832-6000	2500 PARTS/ REEL
173693-4636		14-16 AWG (2) 16 AWG (2) 18 AWG	5.20±0.5	5.33±0.5	63832-6100	

NOTES:

1. MATERIAL: COPPER ALLOY 0.81MM THICK
2. FINISH: PER MOLEX PLATING SPECIFICATION ES-88 - SEE CHART
3. FOR CRIMP APPLICATOR SEE CHART
4. FOR CRIMP TOOLING CONTACT MOLEX OR VISIT THE MOLEX WEBSITE WWW.MOLEX.COM
5. STANDARD PACKAGE SIZE: SEE CHART
6. SEE PRODUCT SPECIFICATION: PS-173693-001 FOR MORE INFORMATION
7. PARTS ARE RoHS COMPLIANT
8. FOR CRIMP SET UP INFORMATION SEE MOLEX APPLICATION SPECIFICATION DOCUMENT:
8 AWG - ATS-638326300
10/12 AWG - ATS-638326000
14/16 AWG - ATS-638326100



SEE DETAIL 1

SYMBOLS DIMENSION UNITS: mm SCALE: NTS GENERAL TOLERANCES (UNLESS SPECIFIED): ANGULAR TOL ± 0.5° 4 PLACES ± 3 PLACES ± 2 PLACES ± 0.13 1 PLACE ± 0.25 0 PLACES ± DRAFT WHERE APPLICABLE MUST REMAIN WITHIN DIMENSIONS THIRD ANGLE PROJECTION DRAWING: A3-SIZE SERIES: 173693	THIS DRAWING CONTAINS INFORMATION THAT IS PROPRIETARY TO MOLEX ELECTRONIC TECHNOLOGIES, LLC AND SHOULD NOT BE USED WITHOUT WRITTEN PERMISSION CURRENT REV DESC: ECTR MIGRATION				
	EC NO: 170941 DRWN: JTAN02 2018/01/16 CHK'D: SCHEONG 2018/01/31 APPR: KHLIM 2018/02/07				
	INITIAL REVISION: DRWN: JSCHAFFER 2016/04/15 APPR: BPISZCZOR 2016/10/03		PRODUCT CUSTOMER DRAWING		
	DOCUMENT NUMBER: SD-173693-001 DOC TYPE: PSD DOC PART: 001 REVISION: A1		MATERIAL NUMBER: SEE TABLE CUSTOMER: GENERAL MARKET SHEET NUMBER: 1 OF 1		

DOCUMENT STATUS	P1	RELEASE DATE	2018/02/07	10:05:22
-----------------	----	--------------	------------	----------