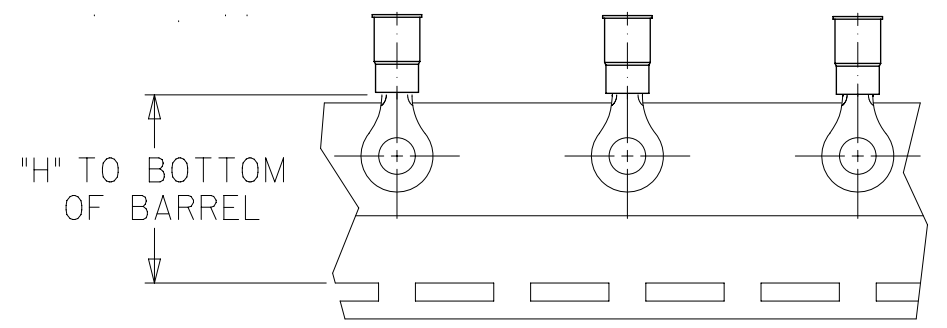
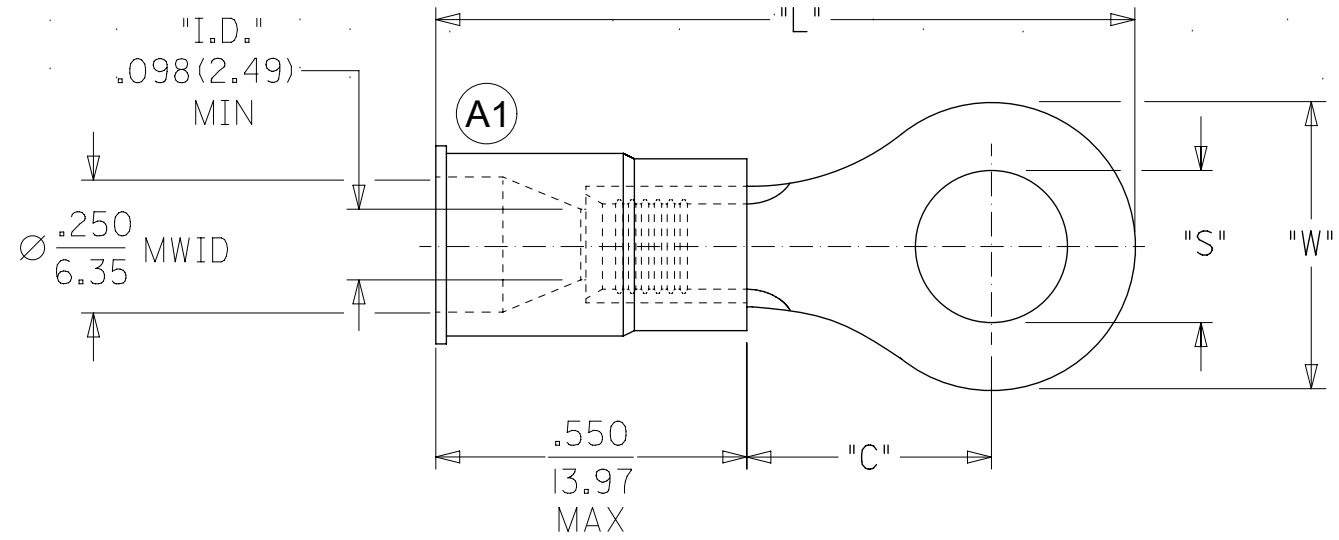
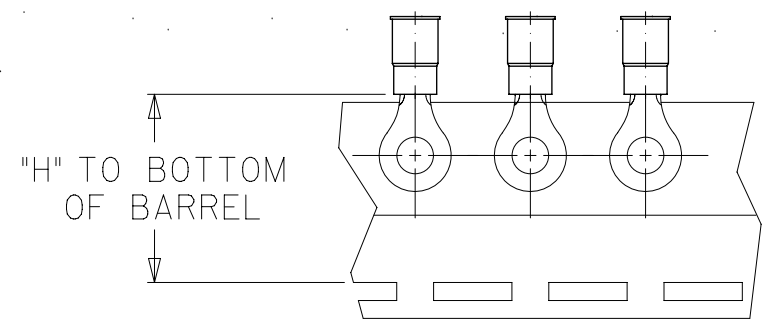


10	9	8	7	6	5	4	3	2	1
MATERIAL NO. LOOSE PIECE	ENG. NO.	MATERIAL NO. TAPE MOUNTED	ENG. NO.	STUD SIZE	±.003 "S"	"W" MAX.	"C" MIN.	"L" MAX.	"H" ±.020/0.51
190540063	B-201-12HDX	190540064	B-201-12HDXT	12	.515 (13.10)	.760 (19.30)	.611 (15.52)	1.571 (39.90)	1.300 (33.02)
----	----	-----	-----	14	.265 (6.73)				
190540066	B-201-38HDX	----	----	38	.390 (9.91)				
----	----	-----	-----	56	.328 (8.33)	.385 (9.78)	.303 (7.70)	1.076 (27.33)	.980 (24.89)
190540070	B-201-76HDX	190540071	B-201-76HDXT	76	.453 (11.51)				
190540090	B-228-06HDX	190540091	B-228-06HDXT	6	.146 (3.71)				
190540092	B-228-08HDX	190540093	B-228-08HDXT	8	.173 (4.39)	.540 (13.72)	.393 (9.98)	1.243 (31.57)	
190540094	B-228-10HDX	190540095	B-228-10HDXT	10	.198 (5.03)				
190540096	B-230-10HDX	190540021	B-230-10HDXT	10	.198 (5.03)				
190540097	B-230-14HDX	190540022	B-230-14HDXT	14	.265 (6.73)	.598 (15.19)	.466 (11.84)	1.347 (34.21)	1.172 (29.77)
190540098	B-230-56HDX	190540099	B-230-56HDXT	56	.328 (8.33)				
----	----	-----	-----	----	----				
190540126	B-240-38HDX	190540127	B-240-38HDXT	38	.390 (9.91)	.598 (15.19)	.466 (11.84)	1.347 (34.21)	1.172 (29.77)
----	----	-----	-----	56	.328 (8.33)				



DOUBLE SPACE ON
B-201-**HDXT
B-240-**HDXT



- A1** NOTE(S):
- MATERIAL:
 - (A). RING TONGUE TERMINAL: COPPER .050 (1.27) REF THK
PLATING: ELECTRO-TIN (.0003 MIN.)
 - (B). INSULATION: MOLDED PVC (YELLOW)
 - MWID: MAXIMUM WIRE INSULATION DIAMETER
 - WIRE SIZE: 16 -14 AWG
1.0 -2.5 MM²
 - "UL" LISTING #E32244
"CSA" LISTING #18689
 - ALL DIMENSIONS IN INCH (MM).
 - PARTS ARE RoHS COMPLIANT.
 - DIMS. SHOWN ARE FOR REFERENCE ONLY.

FUNCTIONAL SYMBOLS FA=0 FE=0 FD=0	THIS DRAWING CONTAINS INFORMATION THAT IS PROPRIETARY TO MOLEX ELECTRONIC TECHNOLOGIES, LLC AND SHOULD NOT BE USED WITHOUT WRITTEN PERMISSION		CURRENT REV DESC: DWG ERROR. FIXED INSUL PROFILE				
	DIMENSION UNITS INCH/MM	SCALE NTS	EC NO: 647871				
	GENERAL TOLERANCES (UNLESS SPECIFIED)		DRWN: DMYRICK 2020/10/26				
	4 PLACES ±		CHK'D: KBURROUGHS 2020/10/27				
DIVISIONAL SYMBOLS	3 PLACES ± 0.25 ± 0.005		APPR: KBURROUGHS 2020/10/27		PRODUCT CUSTOMER DRAWING DOCUMENT NUMBER: SD-19054-001 DOC TYPE: PSD DOC PART: 001 REVISION: A1		
	2 PLACES ± 0.13 ± 0.01		INITIAL REVISION:				
	1 PLACE ±		DRWN:				
	0 PLACES ±		APPR:				
ANGULAR TOL ± °		THIRD ANGLE PROJECTION	DRAWING	SERIES	MATERIAL NUMBER	CUSTOMER	SHEET NUMBER
DRAFT WHERE APPLICABLE MUST REMAIN WITHIN DIMENSIONS			B-SIZE	19054	SEE CHART	GENERAL MARKET	1 OF 1