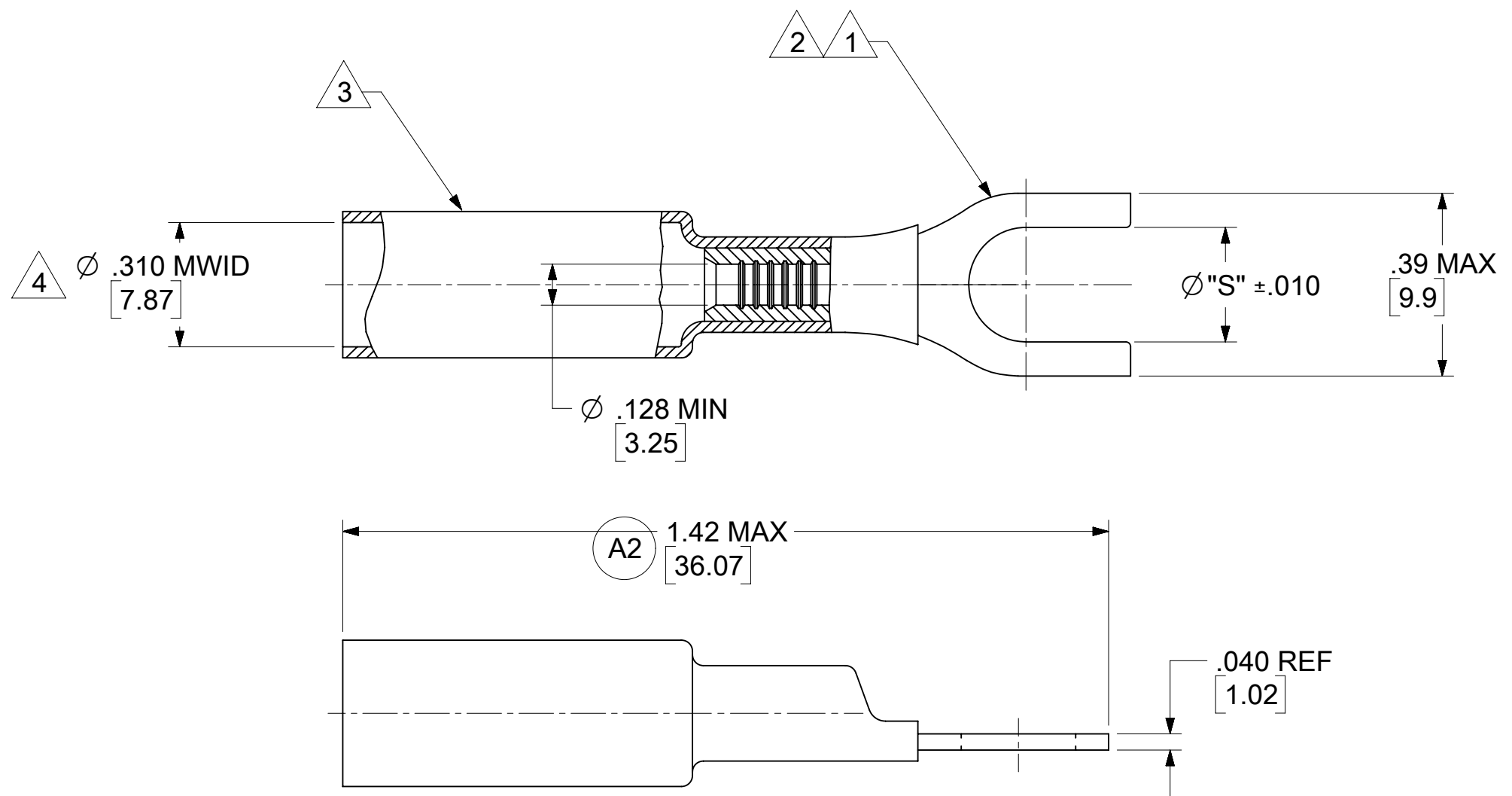


MAT'L NO.	ENG NO.	STUD SIZE	"S" SLOT ±.010 (0.25)
191640069	SC-241-06	#6	.146 (3.71)
191640070	SC-241-08	#8	.173 (4.39)
191640071	SC-241-10	#10	.198 (5.03)



NOTE(S):

- 1 TERMINAL MATERIAL: COPPER ALLOY
- 2 FINISH: ELCTRO TIN PLATE
- 3 INSULATION MATERIAL: HEAT SHRINKABLE TUBING WITH HOTMELT ADHESIVE INNER LINER.  
COLOR: YELLOW
- 4 MWID = MAXIMUM WIRE INSULATION DIAMETER.
- 5. PARTS ARE RoHS COMPLIANT.

THIS DRAWING CONTAINS INFORMATION THAT IS PROPRIETARY TO MOLEX ELECTRONIC TECHNOLOGIES, LLC AND SHOULD NOT BE USED WITHOUT WRITTEN PERMISSION																							
FUNCTIONAL SYMBOLS	DIMENSION UNITS	SCALE	CURRENT REV DESC: OAL DIM: 1.42 WAS 1.39																				
$\nabla_A = 0$	INCH/MM	NTS	<table border="0"> <tr> <td colspan="2">GENERAL TOLERANCES (UNLESS SPECIFIED)</td> </tr> <tr> <td>4 PLACES ±</td> <td>MM INCH</td> </tr> <tr> <td>3 PLACES ±</td> <td>MM INCH</td> </tr> <tr> <td>2 PLACES ±</td> <td>MM INCH</td> </tr> <tr> <td>1 PLACE ±</td> <td>MM INCH</td> </tr> <tr> <td>0 PLACES ±</td> <td>MM INCH</td> </tr> <tr> <td>ANGULAR TOL ± °</td> <td></td> </tr> </table>							GENERAL TOLERANCES (UNLESS SPECIFIED)		4 PLACES ±	MM INCH	3 PLACES ±	MM INCH	2 PLACES ±	MM INCH	1 PLACE ±	MM INCH	0 PLACES ±	MM INCH	ANGULAR TOL ± °	
GENERAL TOLERANCES (UNLESS SPECIFIED)																							
4 PLACES ±	MM INCH																						
3 PLACES ±	MM INCH																						
2 PLACES ±	MM INCH																						
1 PLACE ±	MM INCH																						
0 PLACES ±	MM INCH																						
ANGULAR TOL ± °																							
DIVISIONAL SYMBOLS																							
DRAFT WHERE APPLICABLE MUST REMAIN WITHIN DIMENSIONS			THIRD ANGLE PROJECTION	DRAWING	SERIES	MATERIAL NUMBER	CUSTOMER	DOCUMENT NUMBER	DOC TYPE														
				B-SIZE	19164		GENERAL MARKET	SD-19164-048	PSD														
								DOC PART	REVISION														
								001	A2														
								SHEET NUMBER															
								1 OF 1															