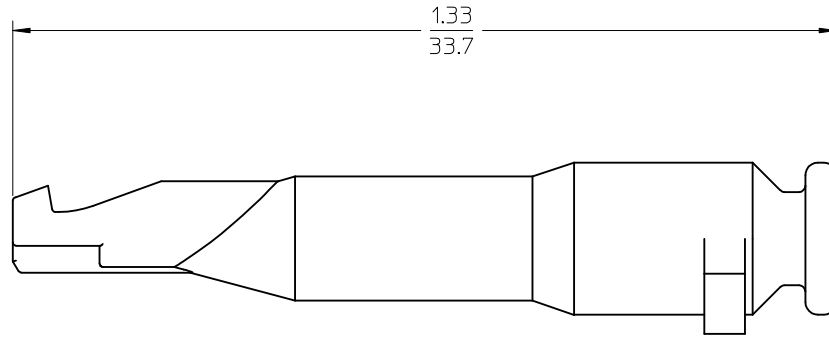
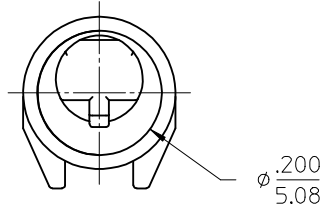
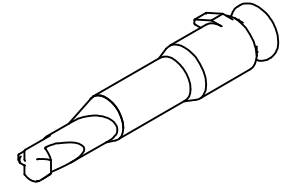


SPRUE ASSY
194310054



SINGLE PART
SCALE 5:1

NOTES:

1. GENERIC MATERIAL NAME: POLYBUTYLENE TEREPHTALATE
MATERIAL ABBREVIATION: PBT
COLOR: NATURAL
GLASS FILLED, UL94 V-0
2. PART IS DESIGNED TO BE USED ON 19432 SERIES REPEACLE ASSEMBLIES.
3. PART IS PACKAGED 144 STRIPS OF 5 IN A 96707-0023 CARTON.
4. MATERIAL IS ROHS COMPLIANT.

UPDATE NOTE 3 EC NO: IPG2013-1943 DRW: WLEUNG 2013/06/19 CHKD: BRUPERT 2013/06/19 APPR: JF MURPHY 2013/07/10	DESCRIPTION REV B	QUALITY SYMBOLS	GENERAL TOLERANCES (UNLESS SPECIFIED)		DIMENSION STYLE		SCALE	DESIGN UNITS	THIRD ANGLE PROJECTION		
		▼=0 ∇=0	mm	INCH	IN/MM		2:1	INCH	MX 150L CIRCUIT PLUG W-T-B, 12-10-8AWG		
			4 PLACES ± ---	± ---	DRAWN BY DATE						
			3 PLACES ± ---	± .010	WLEUNG 2009/10/05						
ANGULAR ± 1°		2 PLACES ± 0.26	± .02	CHECKED BY DATE		MOLEX INCORPORATED MATERIAL NO. 194310054 DOCUMENT NO. SD-19431-054 SHEET NO. 1 OF 1					
DRAFT WHERE APPLICABLE MUST REMAIN WITHIN DIMENSIONS		1 PLACE ± 0.5	± ---	DTITUS 2009/10/05							
				APPROVED BY DATE		THIS DRAWING CONTAINS INFORMATION THAT IS PROPRIETARY TO MOLEX INCORPORATED AND SHOULD NOT BE USED WITHOUT WRITTEN PERMISSION					
				DTITUS 2010/05/07							