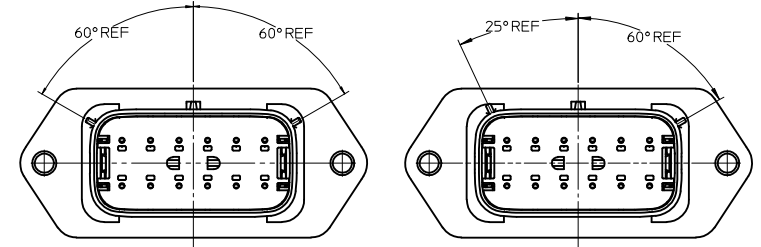
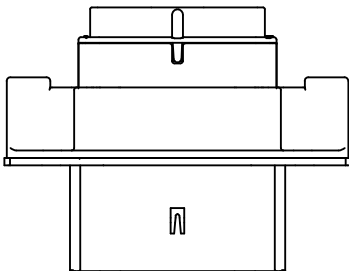
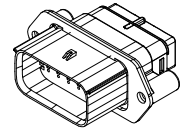
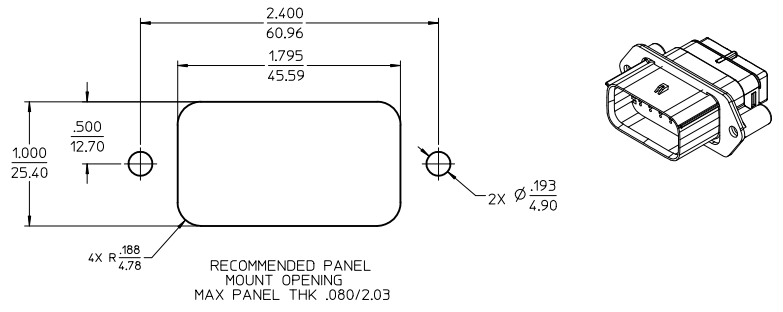
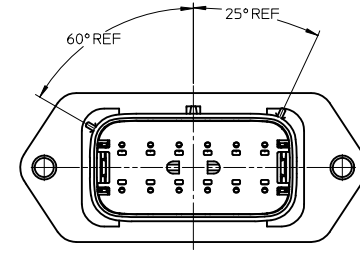
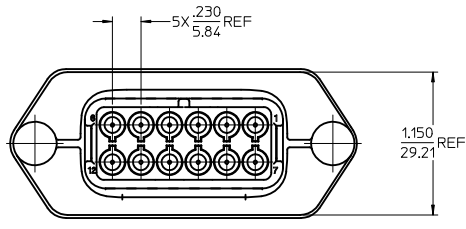
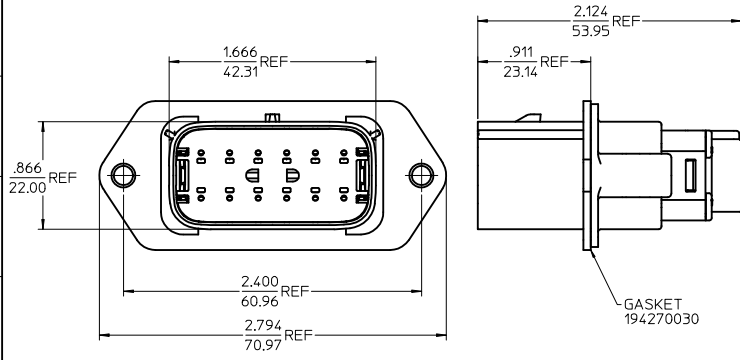


MATERIAL NUMBER	WIRE GAGE	GASKET	KEYING OPTION	COLOR
194351211	16-14	YES	A	BLACK
194351212	22-18	YES	A	BLACK
194351213	16-14	NO	A	BLACK
194351214	22-18	NO	A	BLACK
194351216	16-14	YES	B	GRAY
194351217	22-18	YES	B	GRAY
194351218	16-14	NO	B	GRAY
194351219	22-18	NO	B	GRAY
194351221	16-14	YES	C	BROWN
194351222	22-18	YES	C	BROWN
194351223	16-14	NO	C	BROWN
194351224	22-18	NO	C	BROWN
194351226	16-14	YES	D	GREEN
194351227	22-18	YES	D	GREEN
194351228	16-14	NO	D	GREEN
194351229	22-18	NO	D	GREEN

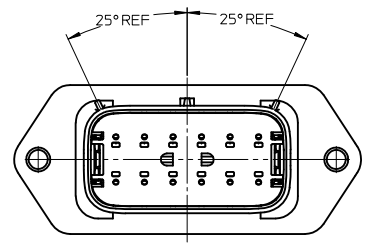


KEY A

KEY B



KEY C



KEY D

NOTES:

- MATERIALS:  
HOUSING: POLYESTER (PBT), GLASS FILLED, UL94 V-0,  
COLOR: SEE CHART.  
SEAL: SILICONE RUBBER.  
GASKET: EPDM RUBBER.
- PRODUCT SPECIFICATION: PS-19417-001.
- PACKAGING SPECIFICATION: PK-19435-001.  
GASKETS, IF REQUIRED FOR THE ASSEMBLIES,  
ARE BULK PACKAGED IN A SEPARATE BAG.
- MATES WITH: 19418 SERIES RECEPTACLE ASSEMBLIES.
- USE CONNECTOR WITH MALE CRIMP TERMINAL: SERIES 19417.
- RECOMMENDED MOUNTING HARDWARE: (2#10 X .62/15.8 LONG PLASTIC  
THREAD CUTTING SCREWS. RECOMMENDED TORQUE: 15-17 IN.-LBS.  
SUGGESTED SOURCE: ITW SHAKEPROOF INDUSTRIAL BOSSCREW OR EQUIVALENT.

<b>UPDATE NOTES</b> EC NO: IPG2012-0303 DRAWN/CHKD: [blank] APPR: OTILUS 2011/10/28 2012/02/28	<b>QUALITY SYMBOLS</b> ▽=0 ▽=0	<b>GENERAL TOLERANCES (UNLESS SPECIFIED):</b>		<b>DIMENSION STYLE</b> IN/MM	<b>SCALE</b> 2:1	<b>DESIGN UNITS</b> INCH	THIRD ANGLE PROJECTION
		4 PLACES ±.--- ±.--- 3 PLACES ±.--- ±.015 2 PLACES ±0.38 ±.--- 1 PLACE ±.--- ±.---	INCH ±.--- ±.015 ±.--- ±.---	DRAWN BY JPAWLICKI	DATE 02/09/05	<b>TITLE</b> 12 WAY SEALED PLUG PANEL MOUNT ASSEMBLY, 22-14 AWG, A-D POLARIZATION	
<b>DRAFT WHERE APPLICABLE MUST REMAIN WITHIN DIMENSIONS</b>		MATERIAL NO. <b>SEE CHART</b>		DOCUMENT NO. <b>SD-19435-012</b>		MOLEX INCORPORATED	
SIZE D THIS DRAWING CONTAINS INFORMATION THAT IS PROPRIETARY TO MOLEX INCORPORATED AND SHOULD NOT BE USED WITHOUT WRITTEN PERMISSION		SHEET NO. 1 OF 1					