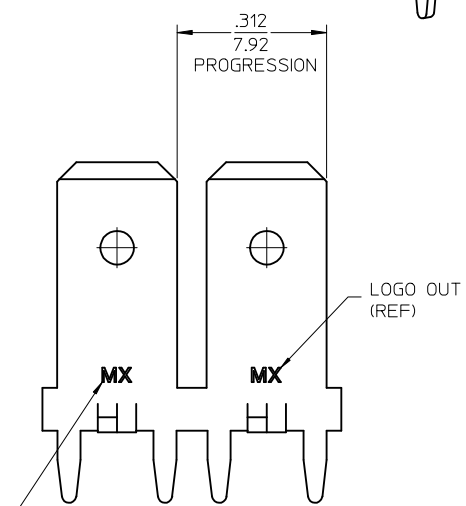
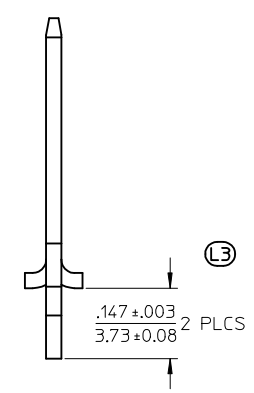
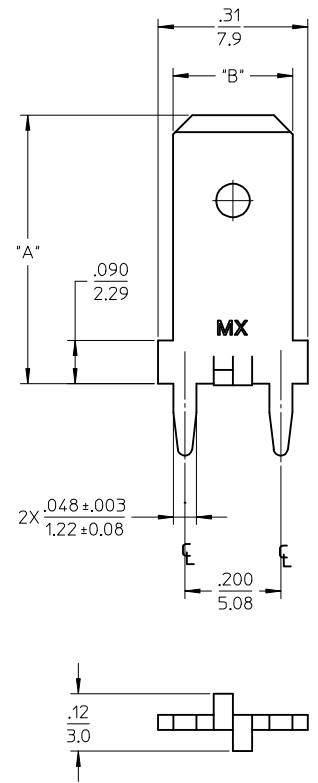
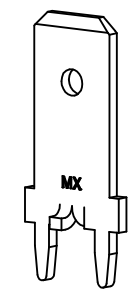
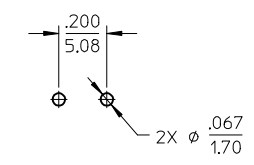
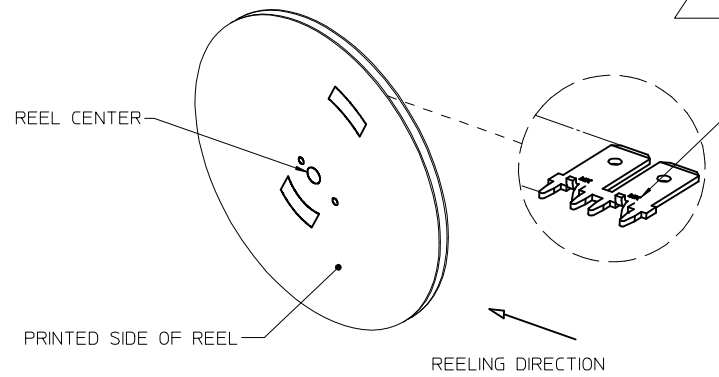


MATERIAL NUMBER	ENGINEERING NUMBER	CARRIER	LOGO ORIENTATION	DIMENSION "A"	DIMENSION "B"
197054003	19705-4003	STRIP	IN	.560/14.22	.250/6.35
197054103	19705-4103	STRIP	IN	.560/14.22	.187/4.75
197054105	19705-4105	STRIP	OUT	.560/14.22	
197054203	19705-4203	STRIP	IN	.405/10.29	.250/6.35
197054204	19705-4204	STRIP	OUT	.405/10.29	
197054001	19705-4001	LOOSE	-	.560/14.22	.250/6.35
197054101	19705-4101	LOOSE	-	.560/14.22	.187/4.75
197054201	19705-4201	LOOSE	-	.405/10.29	.250/6.35

RECOMMENDED PCB HOLE LAYOUT



LOGO OPTIONS: MX, ETC, MX-ETC, OR MXN
MAY ALSO BE UPSIDE-DOWN FOR DIE IDENTIFICATION PURPOSES

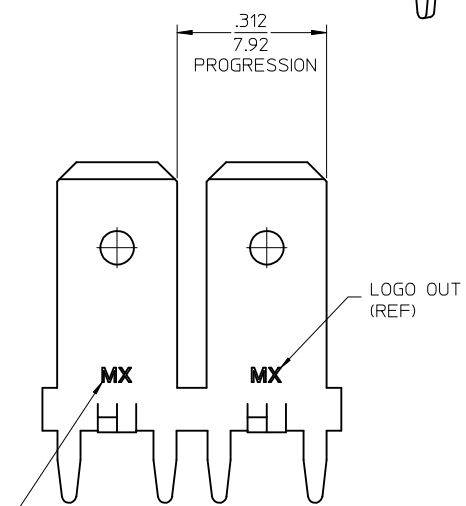
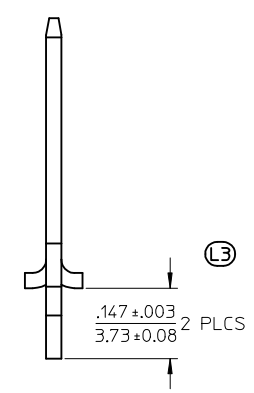
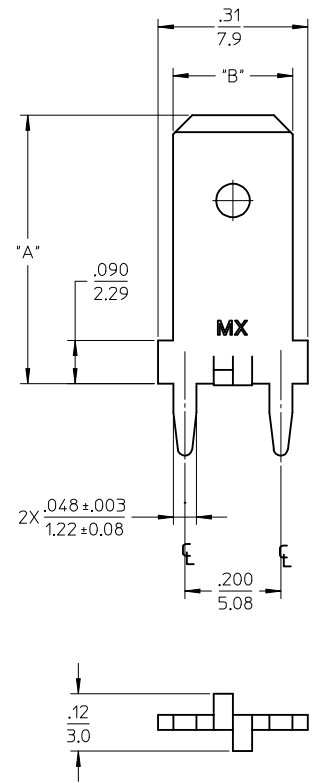
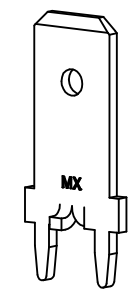
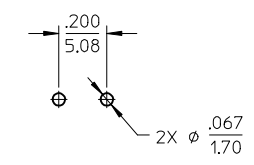


- NOTES:
1. BARE EDGES PERMISSIBLE AT CARRIER CUT OFF.
 2. MATERIAL: BRASS C26000 (.032/0.81) THICK.
 3. TAB CONFORMS TO NEMA SPECIFICATIONS.
 4. ALL DIMENSIONS AND NOTES REFERENCE UNLESS OTHERWISE NOTED.
 5. PLATING: MATTE TIN OVER NICKEL 150μ IN/3.81 μ mm MINIMUM THICKNESS OVER NICKEL 50μ IN/1.25μ mm MINIMUM THICKNESS.
 6. 24" DIAMETER REEL WITH A 1.25" DIAMETER CENTER HOLE.
 7. PART IS RoHS COMPLIANT

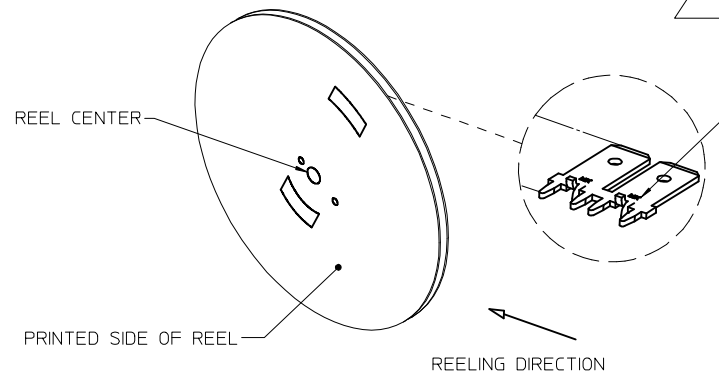
DEL DET1, ADD DIM .147 EC NO: IPG2017-0605 2016/12/15 DRAWING: JASO1 2016/12/15 CHKD: JMACNEIL 2016/12/15 APPR: JMACNEIL 2016/12/20	QUALITY SYMBOLS ▽=0 ▽=0	GENERAL TOLERANCES (UNLESS SPECIFIED)		DIMENSION STYLE IN/MM	SCALE 5:1	DESIGN UNITS INCH	THIRD ANGLE PROJECTION						
		4 PLACES ± --- ± ---	3 PLACES ± --- ± .005	2 PLACES ± 0.13 ± .01	1 PLACE ± 0.25 ± ---	ANGULAR ± 1/2°	DRAWN BY EDB DATE 11/08/96	CHECKED BY JH DATE 11/08/96	APPROVED BY RWD DATE 11/08/96	TITLE QUICK DISCONNECT PCB MOUNTABLE .250 & .187 X .032 TAB	MATERIAL NO. SEE CHART	DOCUMENT NO. SD-19705-400	SHEET NO. 1 OF 1
DRAFT WHERE APPLICABLE MUST REMAIN WITHIN DIMENSIONS		THIS DRAWING CONTAINS INFORMATION THAT IS PROPRIETARY TO MOLEX INCORPORATED AND SHOULD NOT BE USED WITHOUT WRITTEN PERMISSION											

MATERIAL NUMBER	ENGINEERING NUMBER	CARRIER	LOGO ORIENTATION	DIMENSION "A"	DIMENSION "B"
197054003	19705-4003	STRIP	IN	.560/14.22	.250/6.35
197054103	19705-4103	STRIP	IN	.560/14.22	.187/4.75
197054105	19705-4105	STRIP	OUT	.560/14.22	
197054203	19705-4203	STRIP	IN	.405/10.29	.250/6.35
197054204	19705-4204	STRIP	OUT	.405/10.29	
197054001	19705-4001	LOOSE	-	.560/14.22	.250/6.35
197054101	19705-4101	LOOSE	-	.560/14.22	.187/4.75
197054201	19705-4201	LOOSE	-	.405/10.29	.250/6.35

RECOMMENDED PCB HOLE LAYOUT



LOGO OPTIONS: MX, ETC, MX-ETC, OR MXN
MAY ALSO BE UPSIDE-DOWN FOR DIE IDENTIFICATION PURPOSES



- NOTES:
1. BARE EDGES PERMISSIBLE AT CARRIER CUT OFF.
 2. MATERIAL: BRASS C26000 (.032/0.81) THICK.
 3. TAB CONFORMS TO NEMA SPECIFICATIONS.
 4. ALL DIMENSIONS AND NOTES REFERENCE UNLESS OTHERWISE NOTED.
 5. PLATING: MATTE TIN OVER NICKEL 150μ IN/3.81 μ mm MINIMUM THICKNESS OVER NICKEL 50μ IN/1.25μ mm MINIMUM THICKNESS.
 6. 24" DIAMETER REEL WITH A 1.25" DIAMETER CENTER HOLE.
 7. PART IS RoHS COMPLIANT

DEL DET1, ADD DIM .147 EC NO: IPG2017-0605 2016/12/15 DRAWING: JASO1 2016/12/15 CHKD: JMACNEIL 2016/12/15 APPR: JMACNEIL 2016/12/20	QUALITY SYMBOLS ▽=0 ▽=0	GENERAL TOLERANCES (UNLESS SPECIFIED)		DIMENSION STYLE IN/MM		SCALE 5:1	DESIGN UNITS INCH	THIRD ANGLE PROJECTION	
		mm	INCH	DRAWN BY EDB	DATE 11/08/96	QUICK DISCONNECT PCB MOUNTABLE .250 & .187 X .032 TAB MOLEX INCORPORATED DOCUMENT NO. SD-19705-400			
4 PLACES	± ---	± ---	CHECKED BY JH	DATE 11/08/96	SHEET NO. 1 OF 1				
3 PLACES	± ---	± .005	APPROVED BY RWD	DATE 11/08/96					
2 PLACES	± 0.13	± .01	MATERIAL NO. SEE CHART						
1 PLACE	± 0.25	± ---	SIZE C						
ANGULAR		± 1/2°							
DRAFT WHERE APPLICABLE MUST REMAIN WITHIN DIMENSIONS									