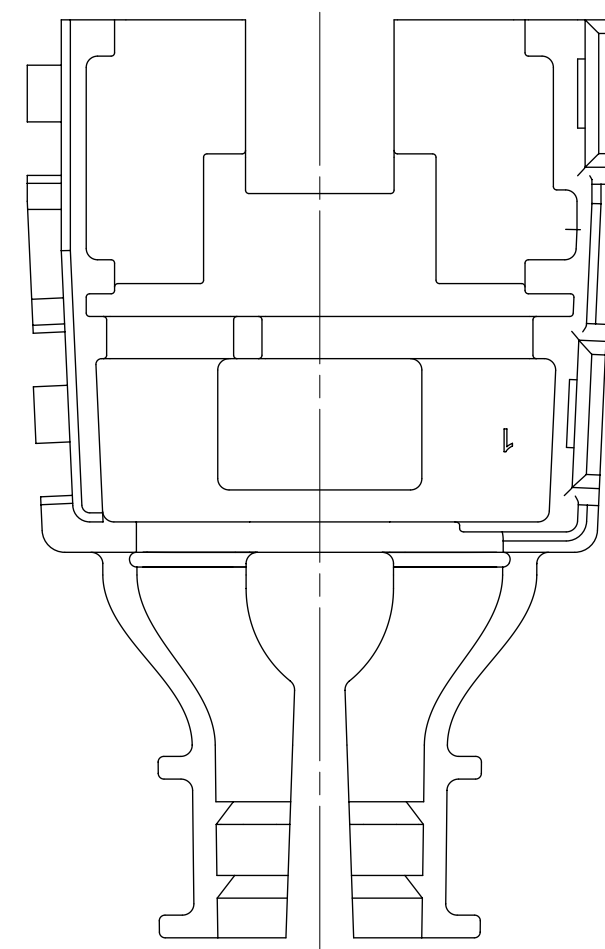
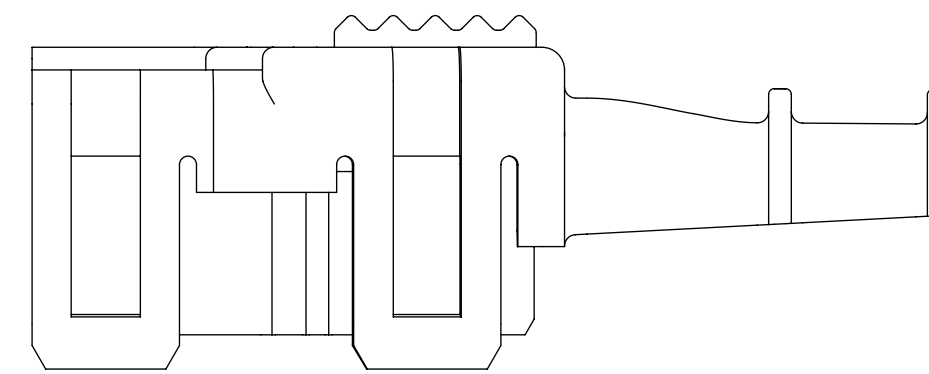
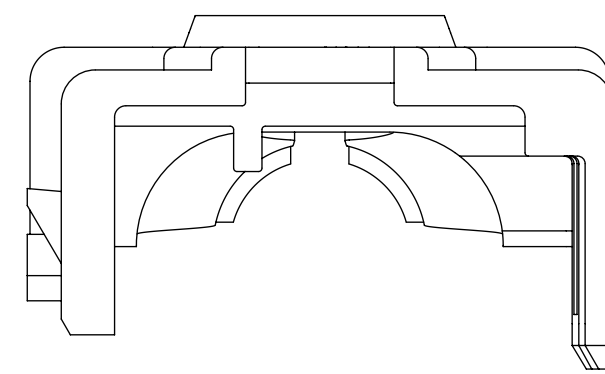
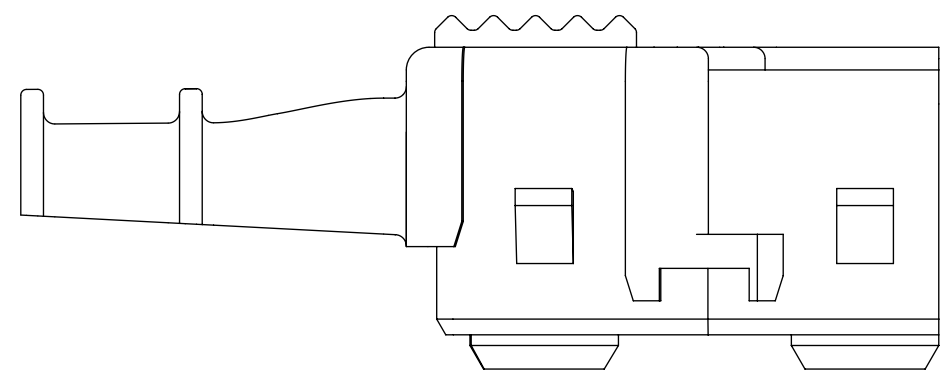


NOTES:

1. MATERIAL:
 '0' = NYLON V-O LOW HALOGEN; COLOR: BLACK
 '1' = NYLON V-2 GLOW WIRE CAPABLE; COLOR: BLACK
2. FINISH: NONE
3. PRODUCT SPECIFICATION: PS-76823-100
 APPLICATION SPECIFICATION: AS-76823-001
4. PACKAGING SPECIFICATION: PK-70873-0071
 REFER TO AS-45499-001 FOR MOISTURIZING NYLON CONNECTOR PARTS.
5. THIS HOUSING TO BE USED WITH RECEPTACLE HOUSING SERIES 170001 & 171692.
6. THIS PART CONFORMS TO CLASS 'B' REQUIREMENTS OF COSMETIC SPECIFICATION PS-45499-002.
11. FOR "1" MATERIAL USE CLASS C GATE BLIMISH SPEC.
12. 200122-0006 SHOWN. SEE SHEET 2 FOR OTHER PART NUMBERS.



PART LEGEND

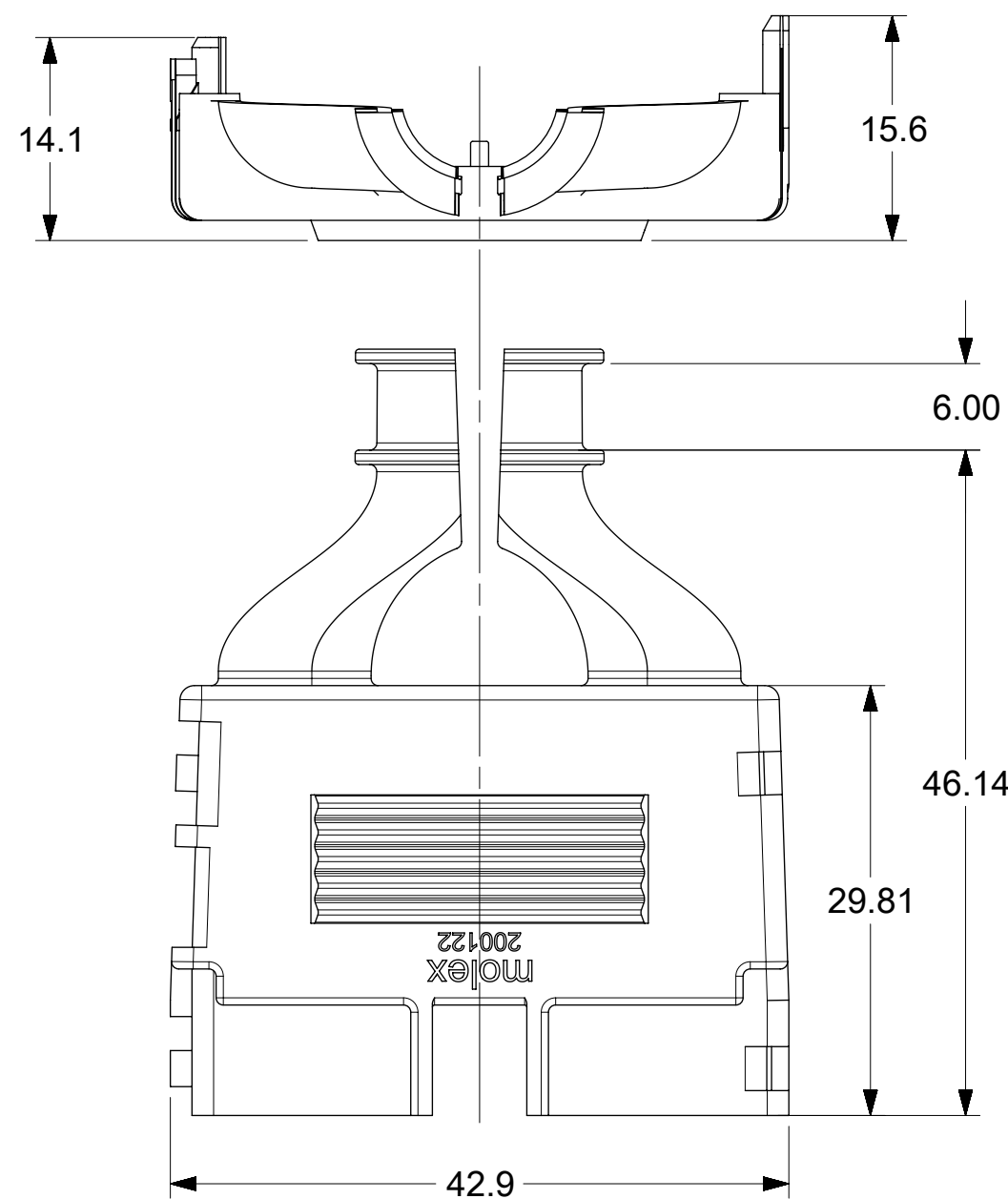
200122 - 0 * * *

PART SERIES

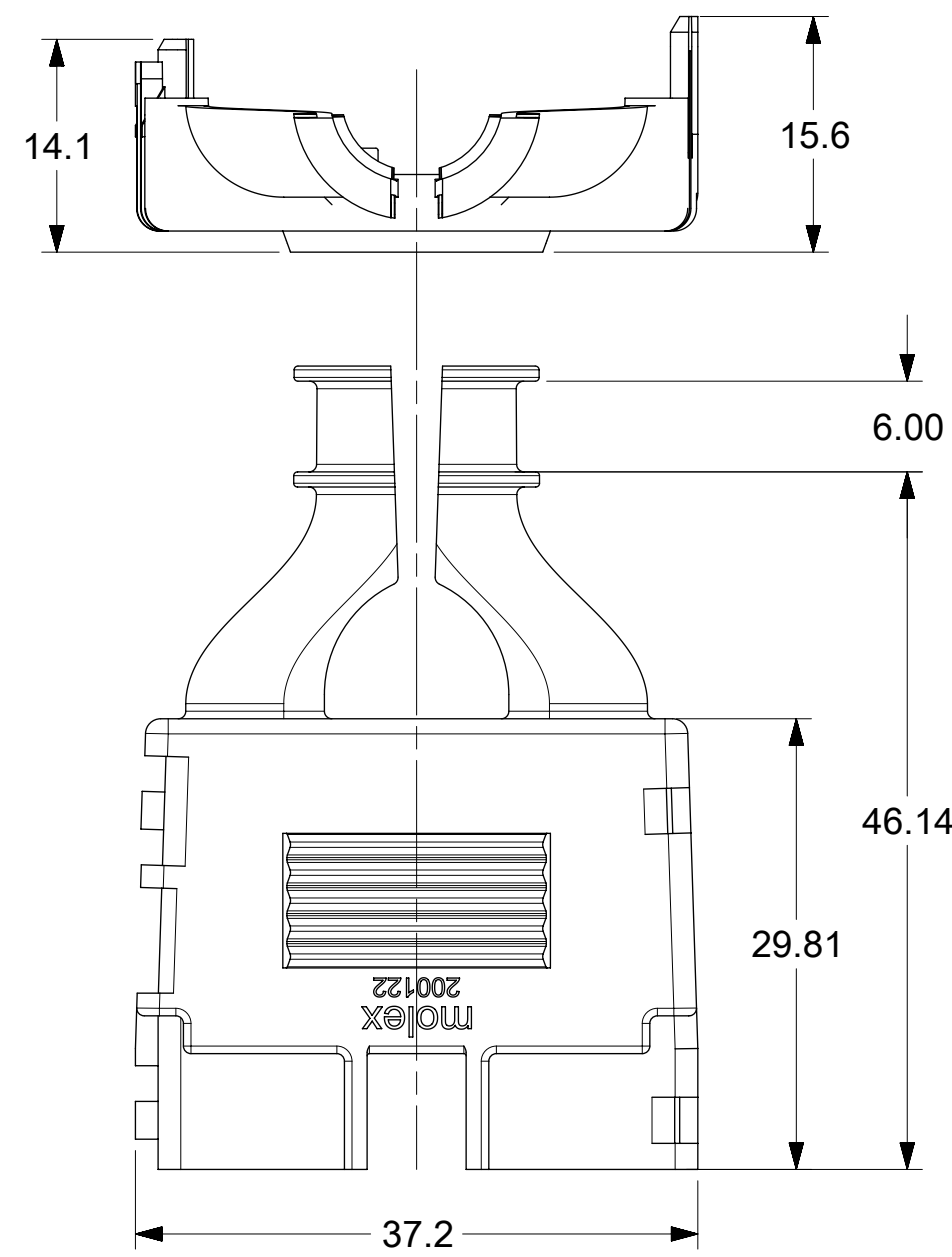
MATERIAL (SEE NOTE 1)

NUMBER OF CKTS (SEE SHEET 2)

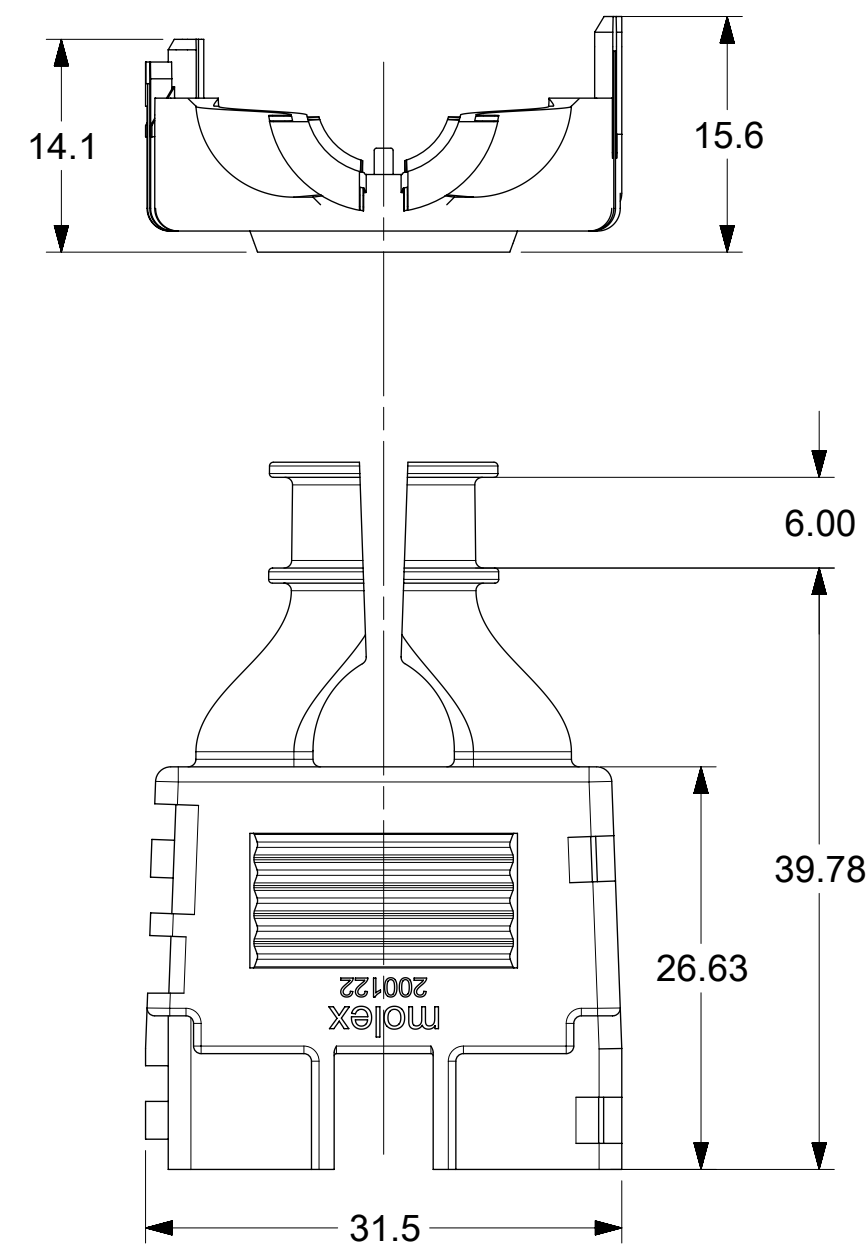
THIS DRAWING CONTAINS INFORMATION THAT IS PROPRIETARY TO MOLEX ELECTRONIC TECHNOLOGIES, LLC AND SHOULD NOT BE USED WITHOUT WRITTEN PERMISSION												
EC NO: 109354 DRWN: TGGREGORI CHKD: REV / APPR: RHODGE	2016/10/14	GENERAL TOLERANCES (UNLESS SPECIFIED)		DIMENSION UNITS	SCALE	molex [®]						
		ANGULAR TOL ± 0.5 °		MM	3:1							
		4 PLACES ±	3 PLACES ±	2 PLACES ± 0.25	1 PLACE ± 0.4	0 PLACES ±	DRWN BY	DATE	RECEPTACLE BACKSHELL, DUAL ROW MEGA-FIT			
		DRAFT WHERE APPLICABLE MUST REMAIN WITHIN DIMENSIONS					TGGREGORI	2016/10/14				
		DRAFT WHERE APPLICABLE MUST REMAIN WITHIN DIMENSIONS					CHKD BY	DATE	PRODUCT CUSTOMER DRAWING			
		DRAFT WHERE APPLICABLE MUST REMAIN WITHIN DIMENSIONS					TGGREGORI	2016/10/14				
A		C		THIRD ANGLE PROJECTION		SERIES	MATERIAL NUMBER	CUSTOMER		SHEET NUMBER		
A		C		THIRD ANGLE PROJECTION		200122	SEE SHEET 2	GENERAL MARKET		1 OF 2		
A		C		THIRD ANGLE PROJECTION		DOCUMENT NUMBER		DOC TYPE	DOC PART	SHEET NUMBER		
A		C		THIRD ANGLE PROJECTION		2001220000-SD		PSD	000	1 OF 2		



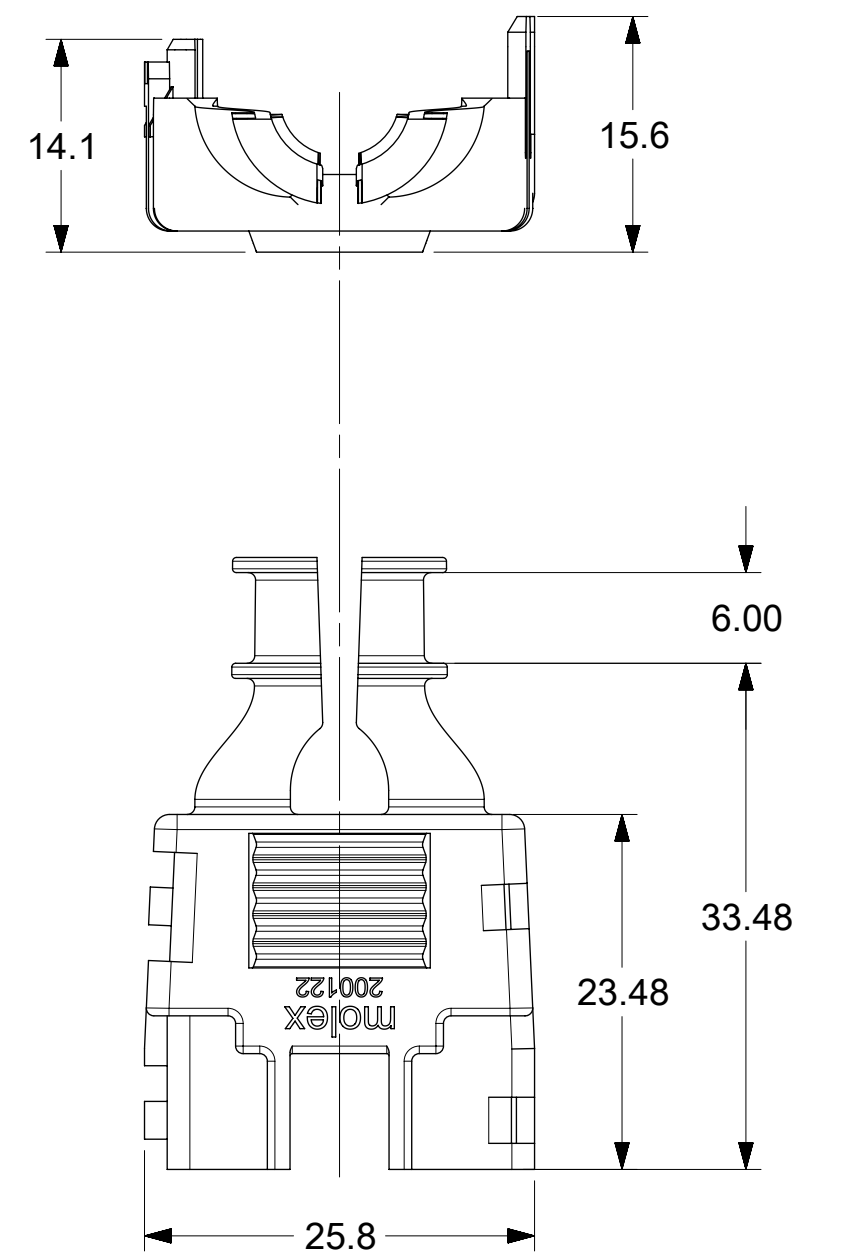
200122-0*12



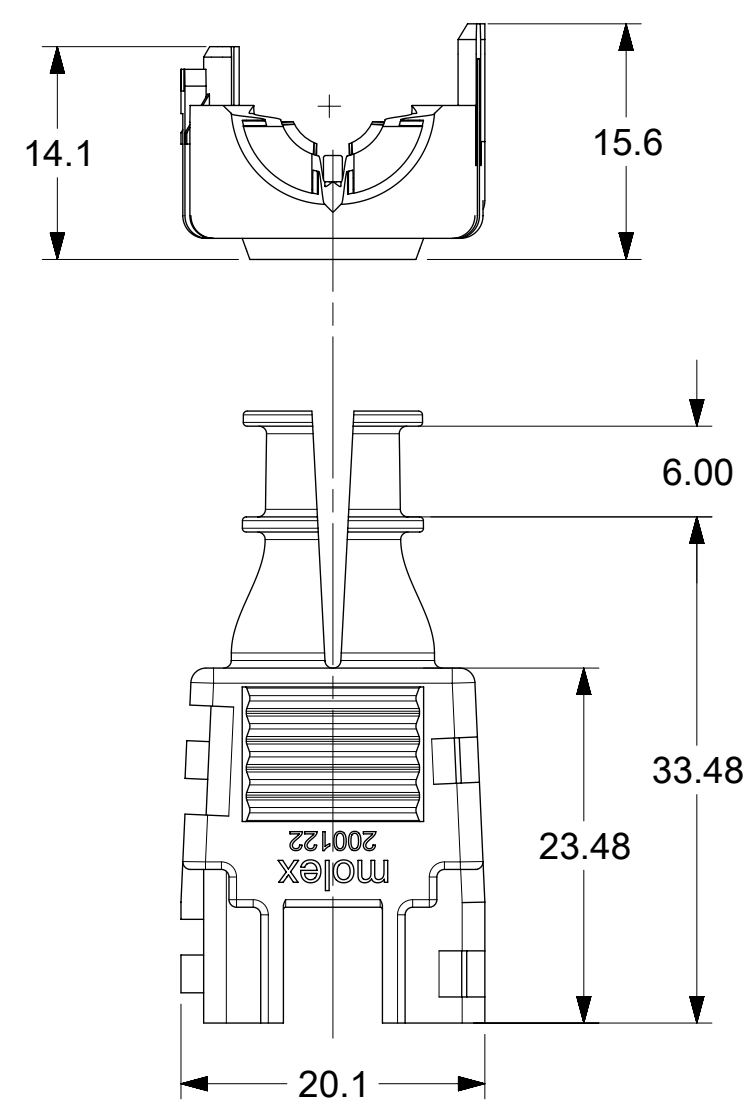
200122-0*10



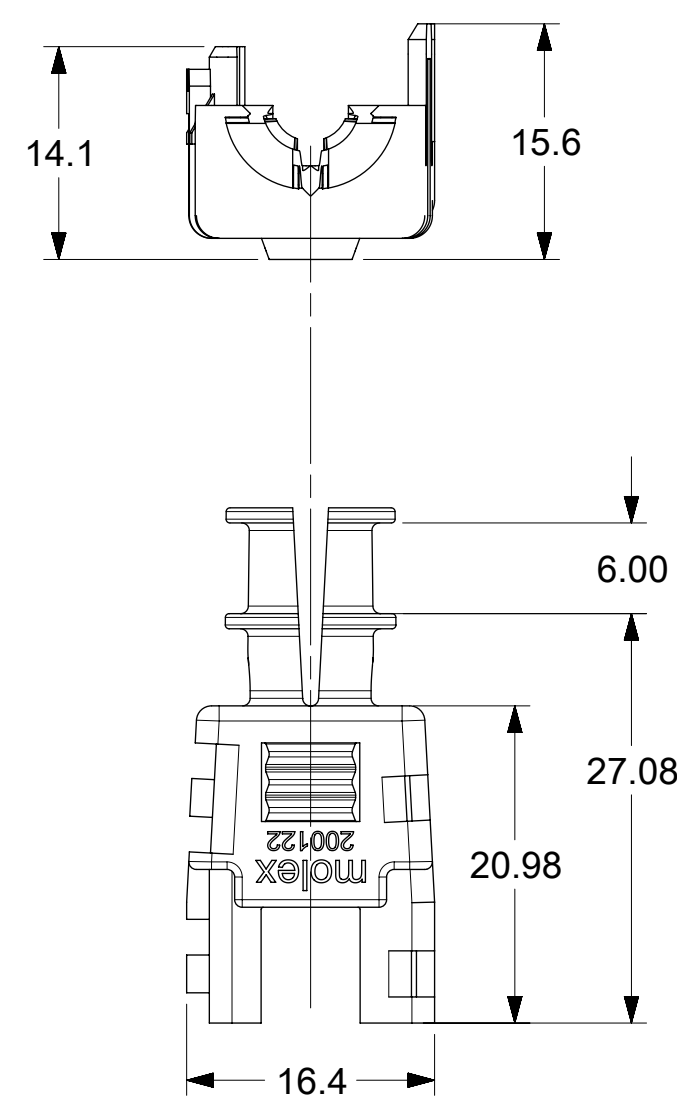
200122-0*08



200122-0*06



200122-0*04



200122-0*02

THIS DRAWING CONTAINS INFORMATION THAT IS PROPRIETARY TO MOLEX ELECTRONIC TECHNOLOGIES, LLC AND SHOULD NOT BE USED WITHOUT WRITTEN PERMISSION												
EC NO: 109354 DRWN: TGREGORI CHKD: RHODGE REV / APPR:	2016/10/14 2016/10/14	GENERAL TOLERANCES (UNLESS SPECIFIED)		DIMENSION UNITS	SCALE							
		ANGULAR TOL ± 0.5 °		MM	1:1							
		4 PLACES ±	DRAWN BY		DATE		RECEPTACLE BACKSHELL, DUAL ROW MEGA-FIT					
		3 PLACES ±	TGREGORI		2016/10/14							
		2 PLACES ± 0.25	CHKD BY		DATE		PRODUCT CUSTOMER DRAWING					
		1 PLACE ± 0.4	TGREGORI		2016/10/14							
0 PLACES ±	APPR BY		DATE		SERIES		MATERIAL NUMBER		CUSTOMER			
DRAFT WHERE APPLICABLE MUST REMAIN WITHIN DIMENSIONS		DRAWING SIZE		THIRD ANGLE PROJECTION		200122		GENERAL MARKET		DOCUMENT NUMBER		
A		C				2001220000-SD		PSD 000		SHEET NUMBER 2 OF 2		