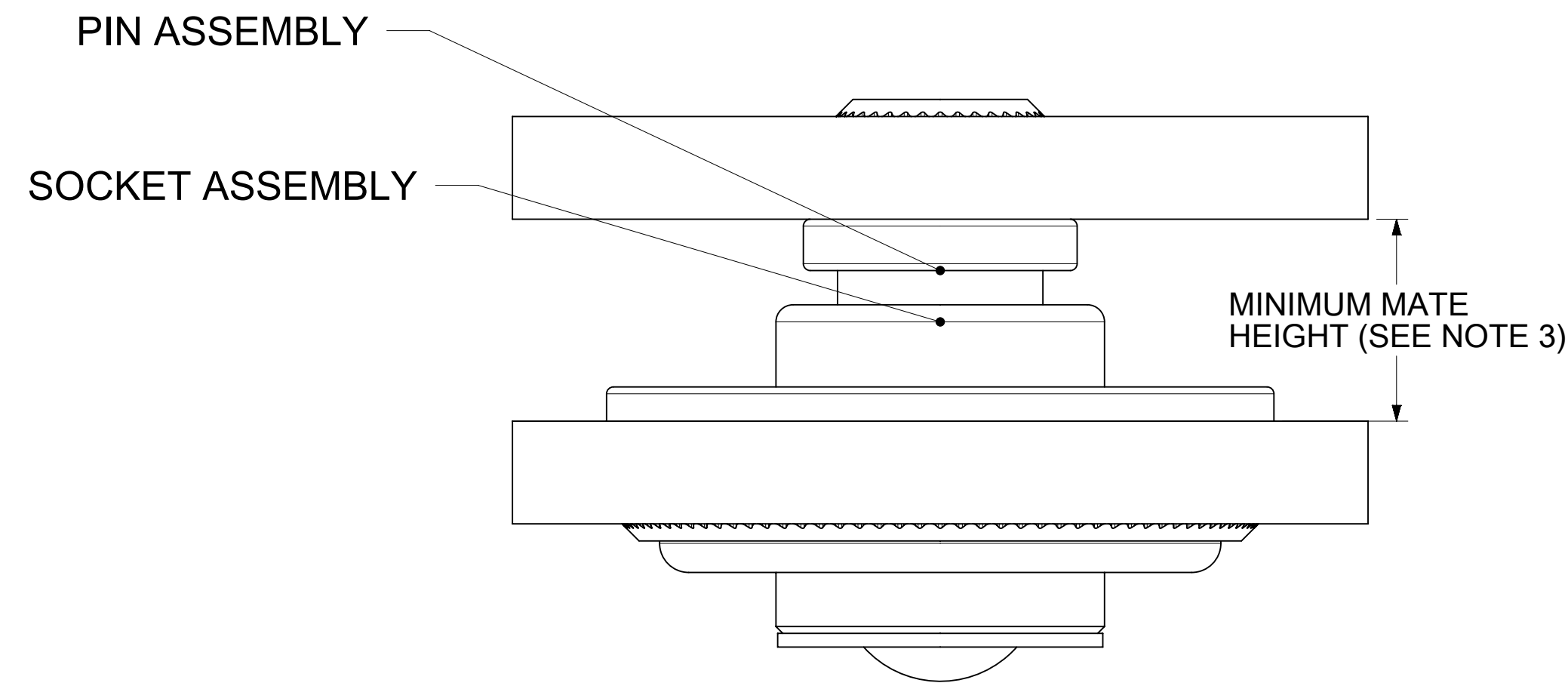


SECTION A-A



MATING PROFILE

**NOTES:**

1. MATERIALS: COPPER ALLOY  
RETENTION CAP: STAINLESS STEEL
2. PLATING:
  - i. CONTACT AREA: GOLD.
  - ii. REST AREA: SILVER WITH TARNISH INHIBITOR
3. MATES WITH THE STANDARD PIN DRAWINGS:
  - i. 6.0MM SMT DRAWING 2032630136-SD, MIN MATING DISTANCE 6.15MM
  - ii. 6.0MM PRESS FIT DRAWING 2032630006-SD, MIN MATING DISTANCE 5.9MM
  - iii. 6.0MM SCREW MOUNT DRAWING 2032636185-SD, MIN MATING DISTANCE 8.9MM
4. PRODUCT SPECIFICATION: 2043130006-PS
5. APPLICATION SPECIFICATION: 2043130006-AS
6. PACKAGING SPECIFICATION: 2043650006-PK
7. SILVER COMPONENTS WILL BE SUPPLIED TARNISH FREE BUT MAY TARNISH OVER TIME.
8. DATE CODE TO BE LASER MARKED APPROXIMATELY WHERE SHOWN USING DDYY FORMAT

THIS DRAWING CONTAINS INFORMATION THAT IS PROPRIETARY TO MOLEX ELECTRONIC TECHNOLOGIES, LLC AND SHOULD NOT BE USED WITHOUT WRITTEN PERMISSION											
DIMENSION UNITS	SCALE	CURRENT REV DESC: UPDATED THE VIEWS.									
mm	NTS	<b>molex</b>									
GENERAL TOLERANCES (UNLESS SPECIFIED)		6MM COEUR PRESSFIT WITH FLOAT									
ANGULAR TOL ± °		PRODUCT CUSTOMER DRAWING									
4 PLACES ±		EC NO: 716736									
3 PLACES ±		DRWN: SOURAJ		2021/10/28							
2 PLACES ± 0.15		CHK'D: SCS02		2022/08/04							
1 PLACE ± 0.25		APPR: JJONIAK		2022/10/11							
0 PLACES ±		INITIAL REVISION:									
DRAFT WHERE APPLICABLE MUST REMAIN WITHIN DIMENSIONS		DRWN: FCSOO		2018/08/23							
THIRD ANGLE PROJECTION		APPR: BPISZCZOR		2019/05/30							
DRAWING		SERIES		DOCUMENT NUMBER		DOC TYPE		DOC PART		REVISION	
D-SIZE		204313		2043130006-SD		PSD		000		B1	
MATERIAL NUMBER		CUSTOMER		SHEET NUMBER							
2043130006		GENERAL MARKET		1 OF 1							