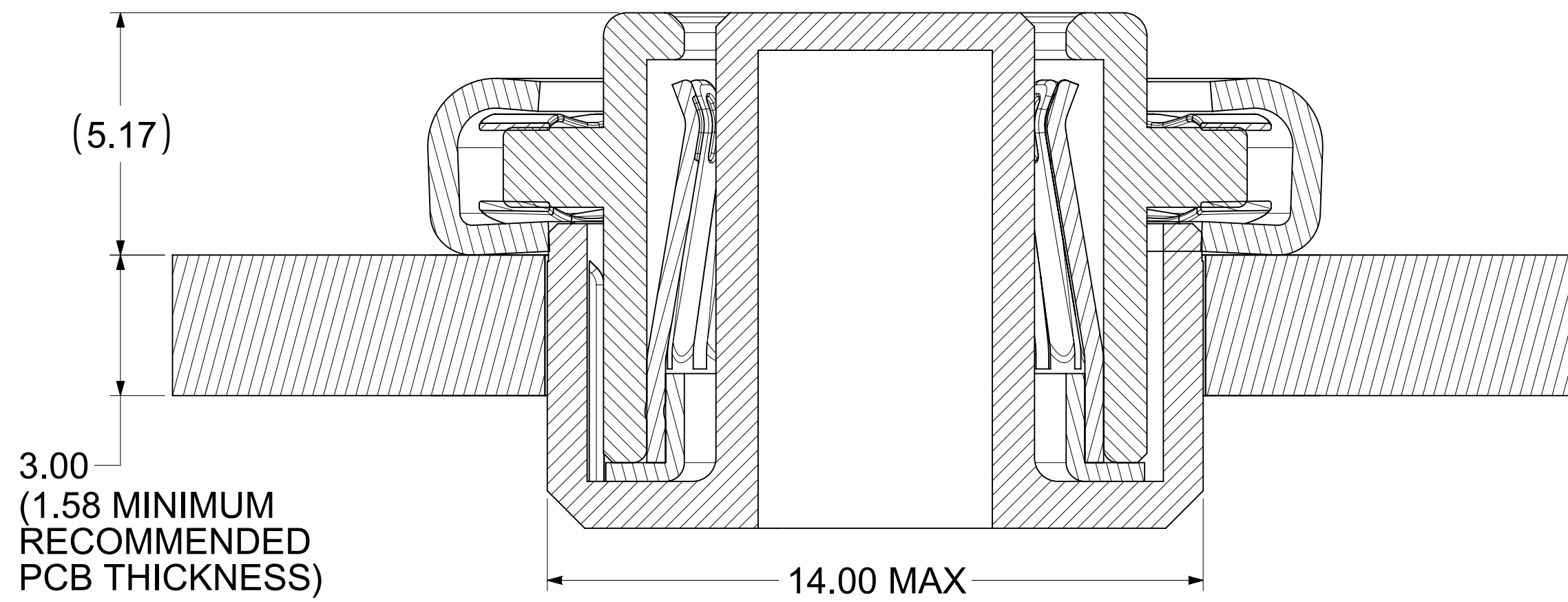
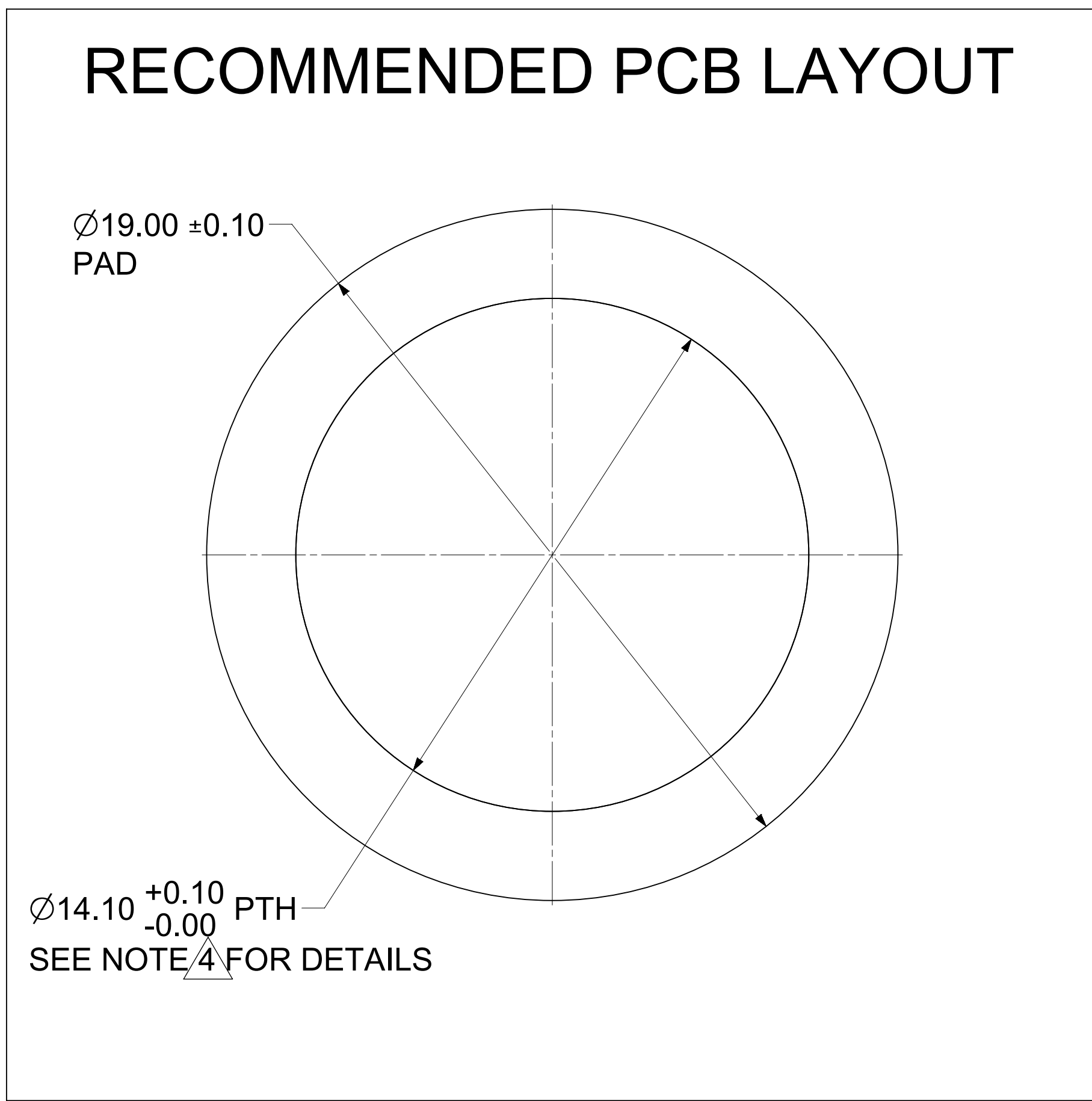
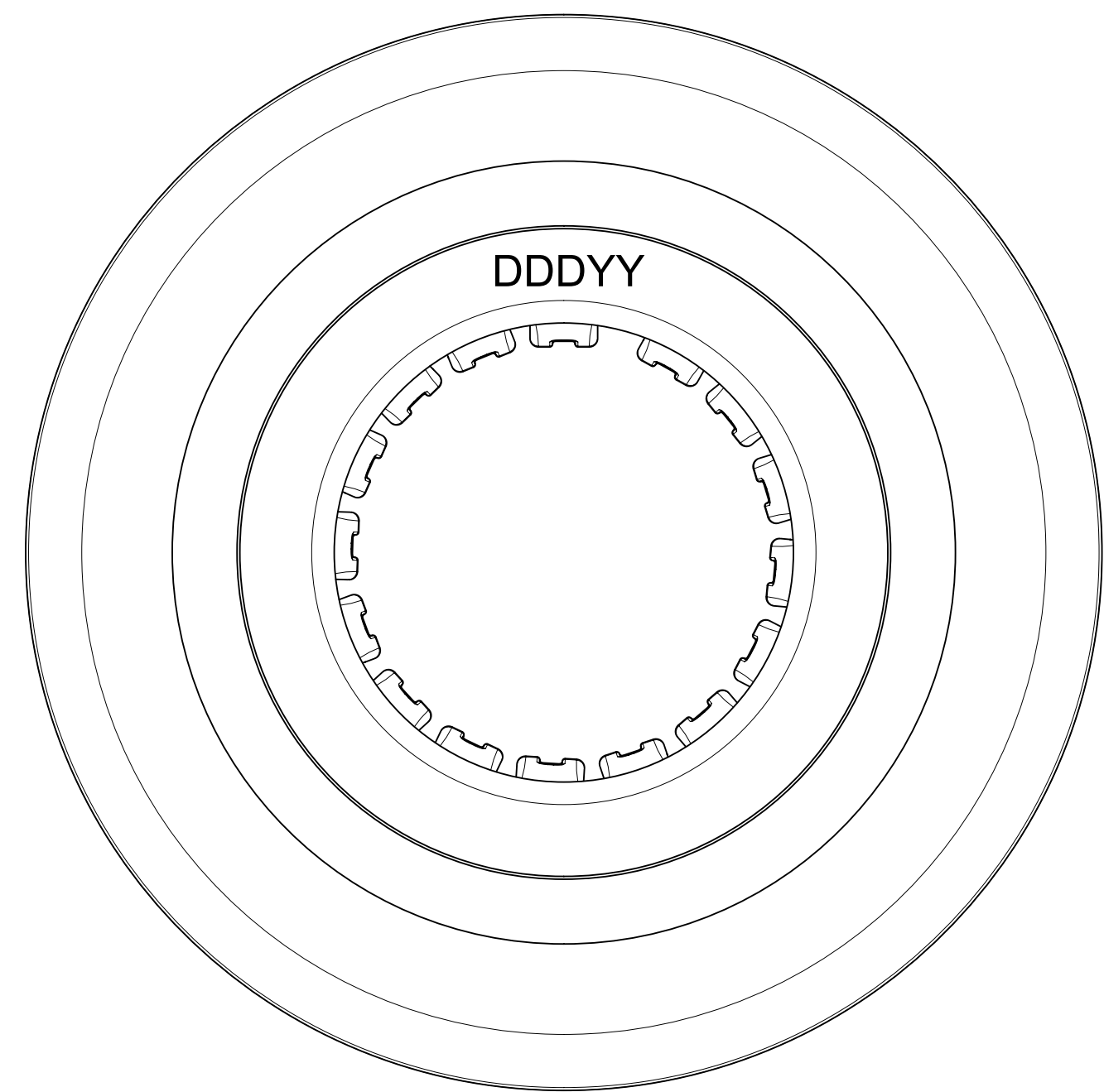
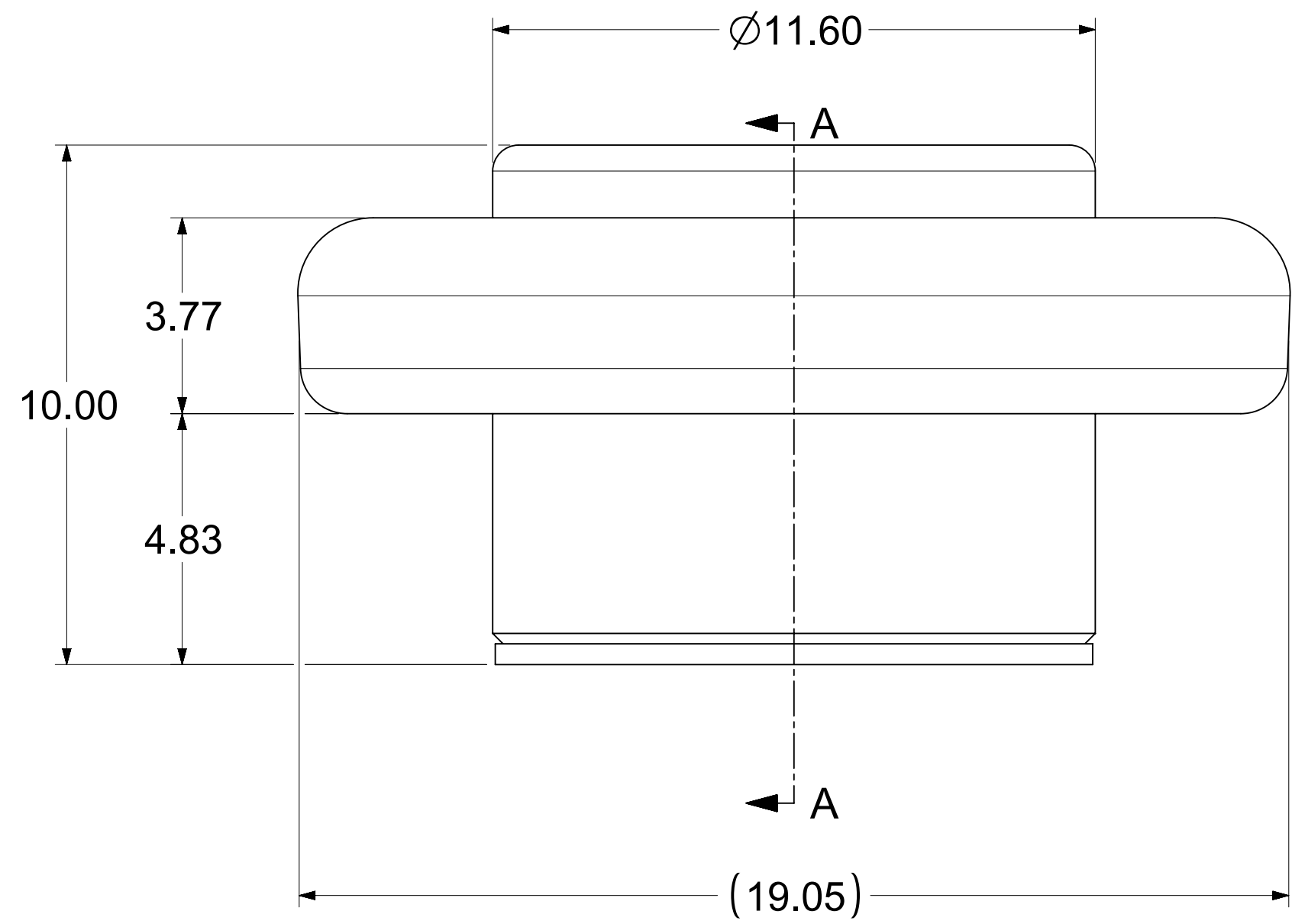
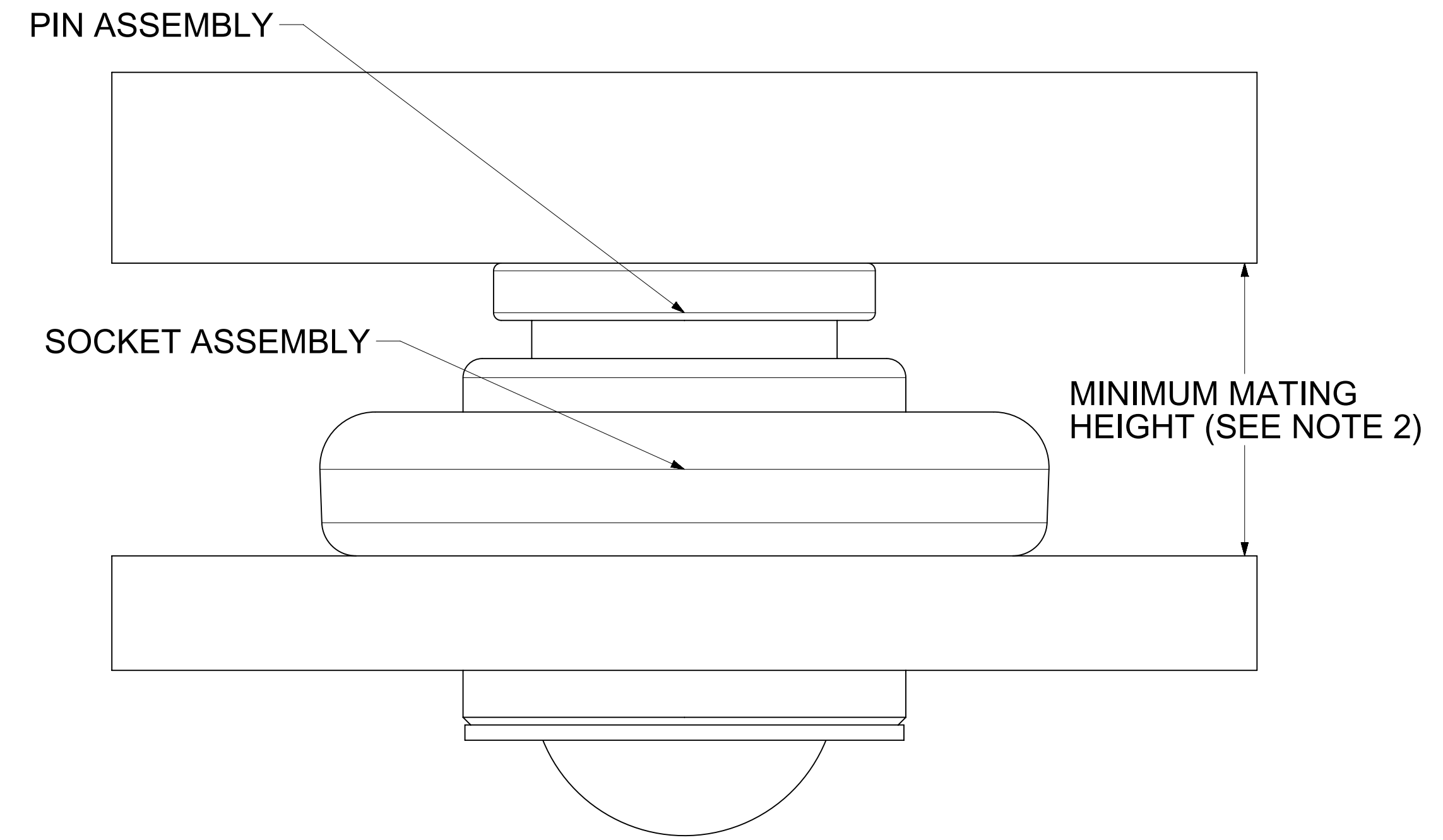


REMOVABLE  
PICK AND PLACE  
CAP SHOWN



SECTION A-A



MATING PROFILE

**NOTES:**

1. MATERIALS:  
RETENTION CAP: STAINLESS STEEL  
PICK AND PLACE CAP: LCP UL94, V-0 COLOR BLACK  
BASE METAL: HIGH CONDUCTIVE COPPER ALLOY  
PLATING ON CONTACTS: 0.75 MICRON MIN GOLD OVER 1.27 MICRON MIN NICKEL  
PLATING ON BODY: 3.18 MICRON MIN SILVER OVER 1.27 MICRON MIN NICKEL
2. MATES WITH THE STANDARD PIN DRAWINGS:  
i. 8.0MM SMT DRAWING 2032633080-SD, MIN. MATING DISTANCE 7.32MM  
ii. 8.0MM PRESS FIT DRAWING 2032630001-SD, MIN. MATING DISTANCE 7.67MM  
iii. 8.0MM SCREW MOUNT DRAWING 2032634185-SD, MIN. MATING DISTANCE 7.77MM
3. PRODUCT SPECIFICATION: 2043130001-PS
4. APPLICATION SPECIFICATION: 2043130001-AS.  
SEE APPLICATION SPEC FOR SOLDERING INFORMATION.
5. PACKAGING SPECIFICATION: 2043650000-PK
6. SILVER COMPONENTS WILL BE SUPPLIED TARNISH FREE BUT MAY TARNISH OVER TIME.
7. PICK AND PLACE CAP TO BE REMOVED AFTER SOLDERING.  
CAP TO BE PUSHED OUT OF BOTTOM FROM THE TOP.
8. DATE CODE TO BE LASER MARKED APPROXIMATELY WHERE SHOWN USING DDDYY FORMAT

THIS DRAWING CONTAINS INFORMATION THAT IS PROPRIETARY TO MOLEX ELECTRONIC TECHNOLOGIES, LLC AND SHOULD NOT BE USED WITHOUT WRITTEN PERMISSION

DIMENSION UNITS	SCALE	CURRENT REV DESC:					
mm	NTS						
GENERAL TOLERANCES (UNLESS SPECIFIED)				EC NO: 663471 DRWN: RLOW 2021/04/23 CHK'D: JJONIAK 2021/05/11 APPR: JJONIAK 2021/05/11 INITIAL REVISION: DRWN: NVELUSAMY 2019/01/24 APPR: BPISZCZOR 2019/04/05			
ANGULAR TOL ± 0.5°							
4 PLACES ±							
3 PLACES ±							
2 PLACES ± 0.15							
1 PLACE ± 0.25				DOCUMENT NUMBER: <b>2121950010-SD</b> DOC TYPE: PSD DOC PART: 000 REVISION: B1			
0 PLACES ±				MATERIAL NUMBER: 2121950010 CUSTOMER: GENERAL MARKET SHEET NUMBER: 1 OF 1			
DRAFT WHERE APPLICABLE MUST REMAIN WITHIN DIMENSIONS		THIRD ANGLE PROJECTION		DRAWING: D-SIZE		SERIES: 212195	