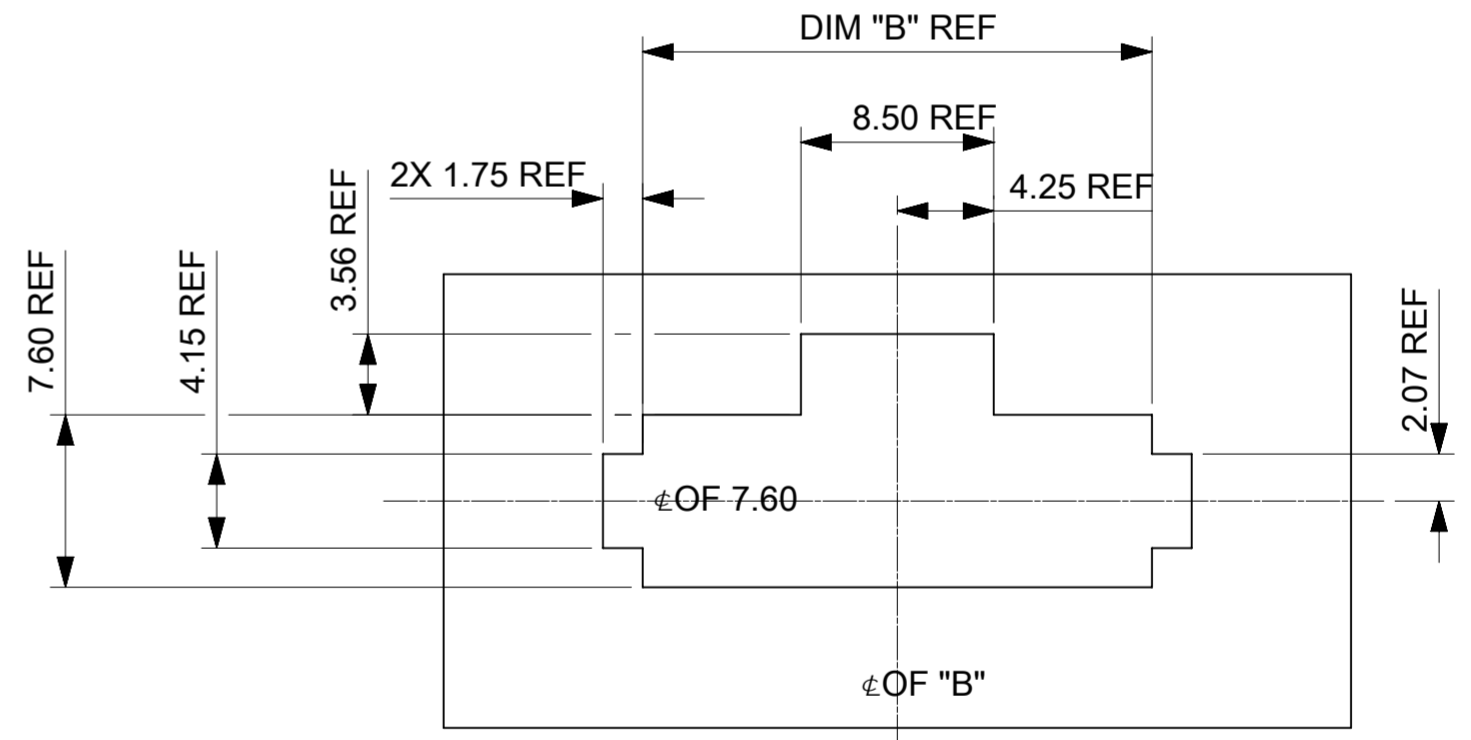
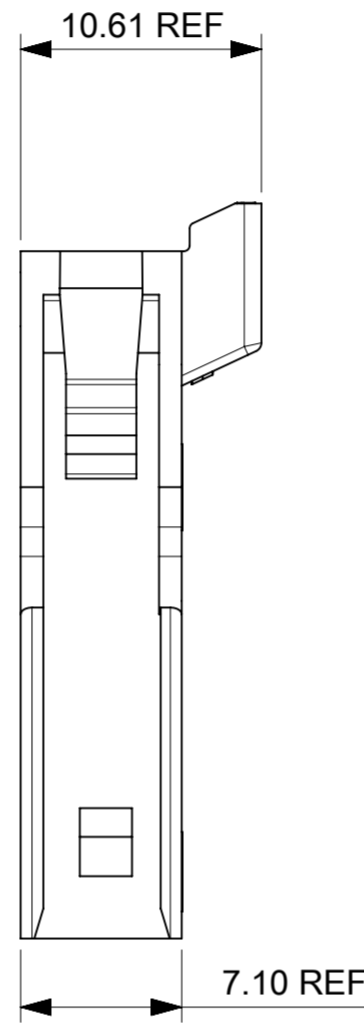
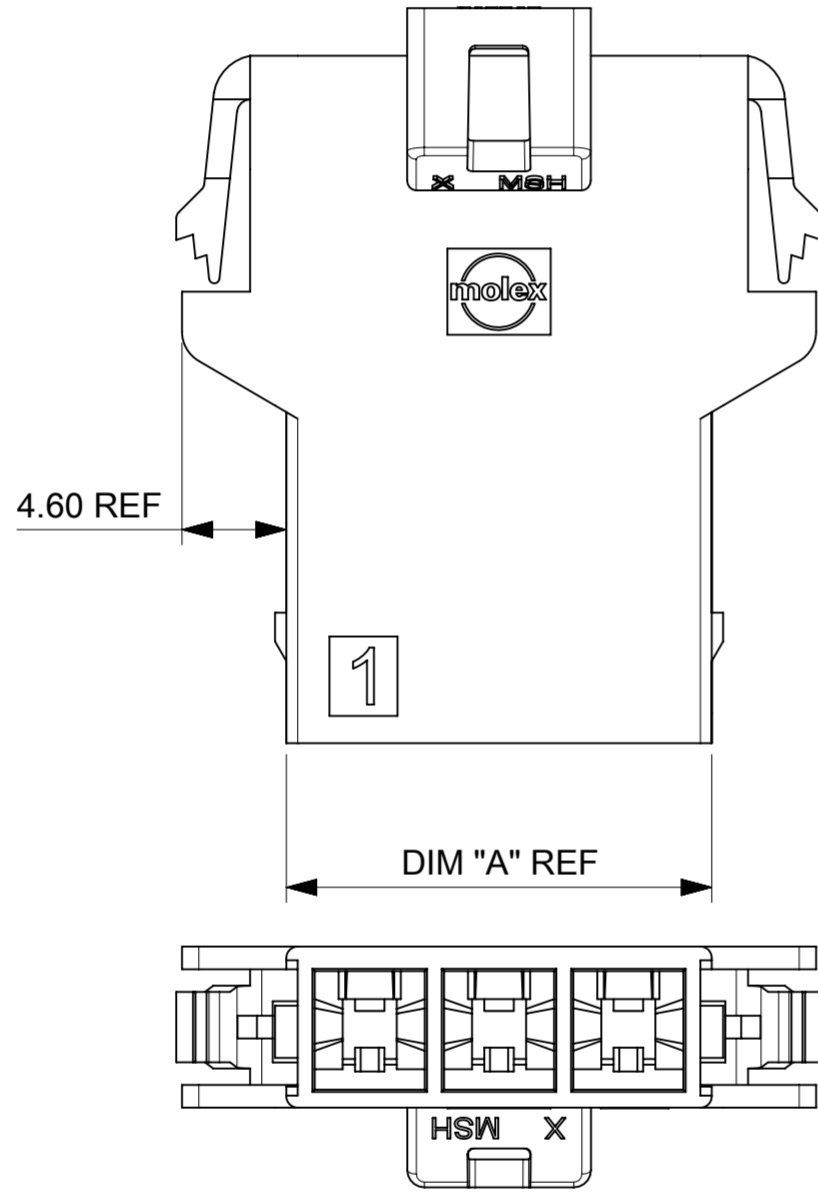
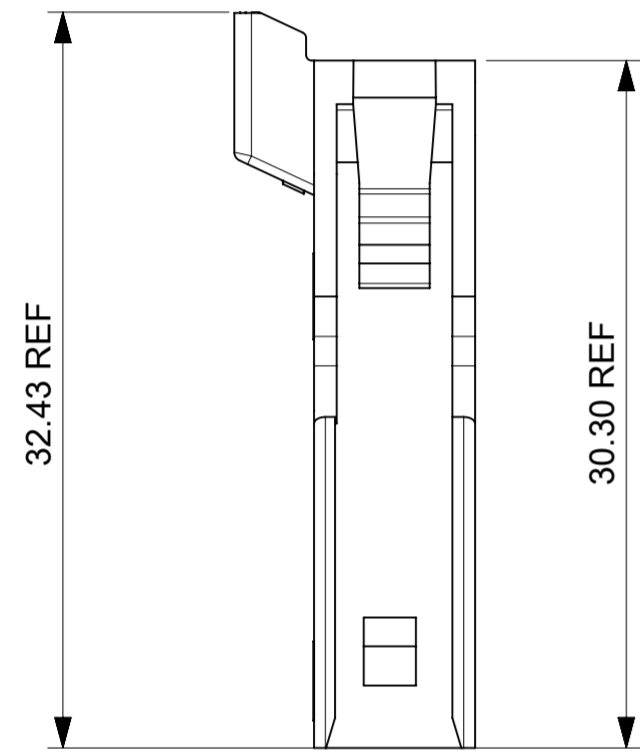
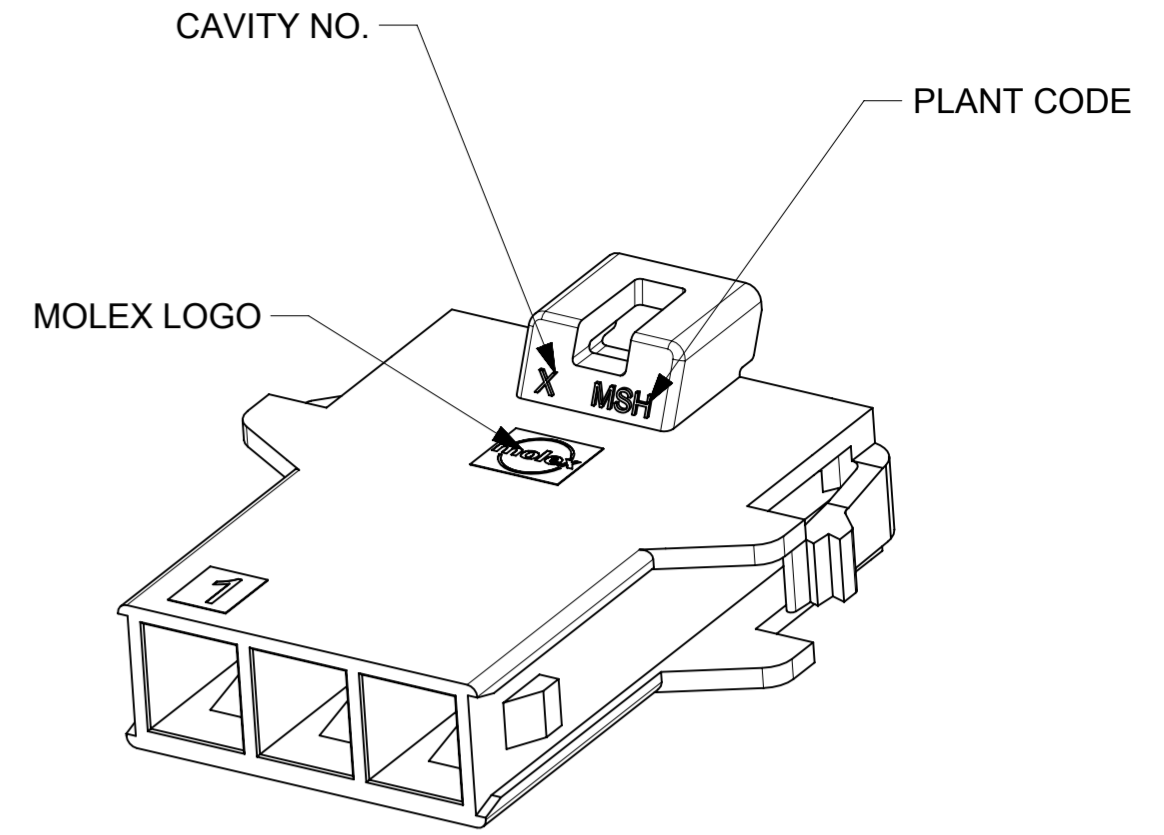
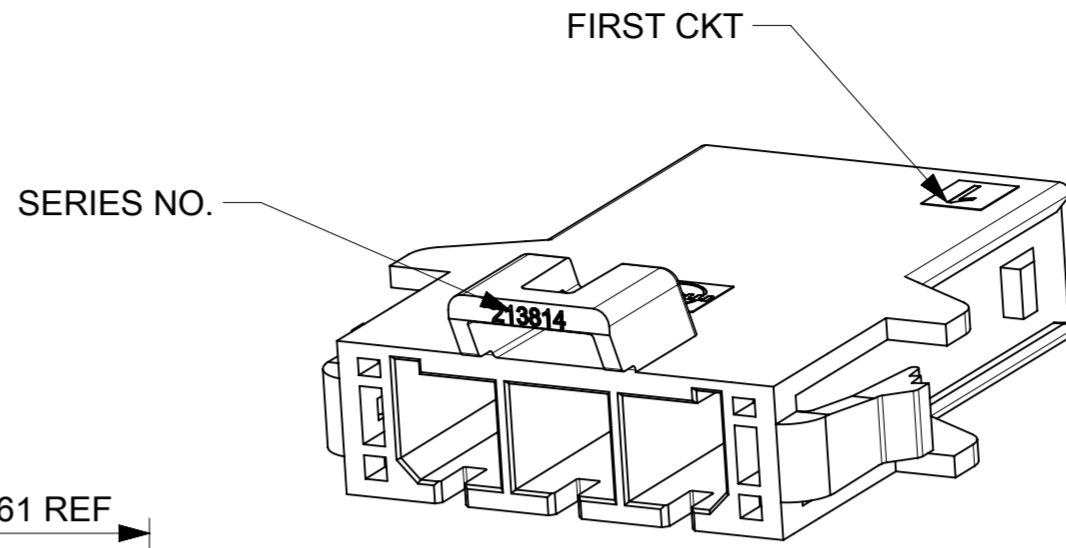
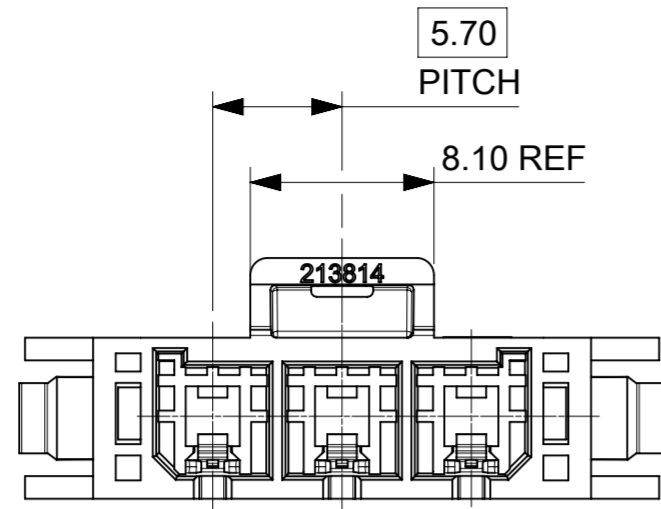


P/N	CKT	COLOR	DIM"A"	DIM"B"
213814 1102	2	BLACK	13.05	16.75
213814 1103	3		18.75	22.45
213814 1104	4		24.45	28.15
213814 1105	5		30.15	33.85
213814 1106	6		35.85	39.55
213814 1107	7		41.55	45.25
213814 1108	8		47.25	50.95



RECOMMEND PANEL CUT-OUT
(VIEW FROM MATING SIDE)
PANEL THICKNESS: 1.2MM-2.0MM

- NOTES:
- MATERIAL: NYLON, UL 94V-0 AND GLOW WIRE CAPABLE PER IEC60335-1. COLOR BLACK.
 - PART MATES WITH MOLEX SERIES:
RECEPTACLE HOUSING: 200456
TPA: 105415
MALE TERMINAL: 105417/105418.
 - PRODUCT SPECIFICATION: 1054171000-PS
 - PAKAGING SPECIFICATION: 213814 0001-PK
 - APPLICATION SPECIFICATION: 768232000-AS
 - PARTS CONFORM TO CLASS B REQUIREMENTS OF COSMETIC SPECIFICATION PS-45499-002 WITH THE EXCEPTION OF DISCOLORATION MEETS CLASS "C" REQUIREMENTS.

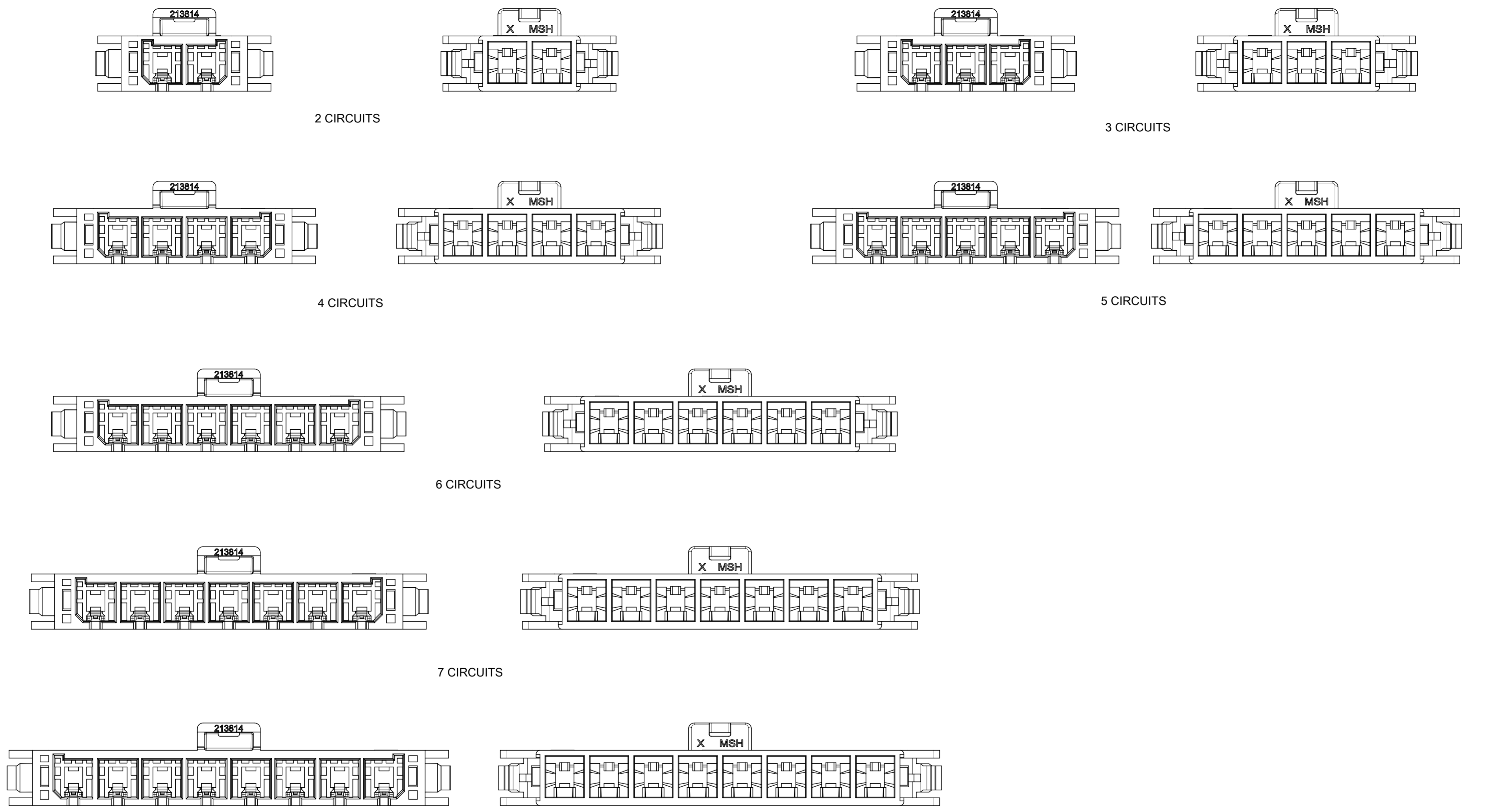
FUNCTIONAL SYMBOLS	THIS DRAWING CONTAINS INFORMATION THAT IS PROPRIETARY TO MOLEX ELECTRONIC TECHNOLOGIES, LLC AND SHOULD NOT BE USED WITHOUT WRITTEN PERMISSION	
$F_A = 0$	DIMENSION UNITS: mm	SCALE: 5:1
$F_C = 0$	GENERAL TOLERANCES (UNLESS SPECIFIED)	
$F_P = 0$	ANGULAR TOL: ± °	CURRENT REV DESC:
DIVISIONAL SYMBOLS	4 PLACES ±	EC NO: 647304
	3 PLACES ± 0.13	DRWN: ALU002 2020/10/15
	2 PLACES ± 0.25	CHK'D: AYIN 2020/11/02
	1 PLACE ±	APPR: AYIN 2020/11/02
	0 PLACES ±	INITIAL REVISION:
		DRWN: ALU002 2019/08/22
		APPR: AYIN 2020/06/15
DRAFT WHERE APPLICABLE MUST REMAIN WITHIN DIMENSIONS	THIRD ANGLE PROJECTION	DRAWING SERIES: A2-SIZE 213814
		MATERIAL NUMBER: SEE TABLE
		CUSTOMER: GENERAL MARKET
		SHEET NUMBER: 1 OF 2

molex

MEGA-FIT S/R PANEL MOUNT PLUG

PRODUCT CUSTOMER DRAWING

DOCUMENT NUMBER: 2138140001-SD
DOC TYPE: PSD
DOC PART: 000
REVISION: A1



2 CIRCUITS

3 CIRCUITS

4 CIRCUITS

5 CIRCUITS

6 CIRCUITS

7 CIRCUITS

8 CIRCUITS

POLARIZATION LAYOUT

FUNCTIONAL SYMBOLS	THIS DRAWING CONTAINS INFORMATION THAT IS PROPRIETARY TO MOLEX ELECTRONIC TECHNOLOGIES, LLC AND SHOULD NOT BE USED WITHOUT WRITTEN PERMISSION										
	DIMENSION UNITS	SCALE	CURRENT REV DESC:								
$\frac{F}{A} = 0$	mm	1:1	EC NO: 647304								
$\frac{F}{C} = 0$	GENERAL TOLERANCES (UNLESS SPECIFIED)		DRWN: ALU002				2020/10/15				
$\frac{F}{P} = 0$	ANGULAR TOL \pm °		CHK'D: AYIN				2020/11/02				
DIVISIONAL SYMBOLS	4 PLACES \pm	APPR: AYIN				2020/11/02					
	3 PLACES \pm 0.13	INITIAL REVISION:									
	2 PLACES \pm 0.25	DRWN: ALU002				2019/08/22					
	1 PLACE \pm	APPR: AYIN				2020/06/15					
0 PLACES \pm	DRAFT WHERE APPLICABLE MUST REMAIN WITHIN DIMENSIONS		THIRD ANGLE PROJECTION	DRAWING	SERIES	MATERIAL NUMBER	CUSTOMER	DOCUMENT NUMBER	DOC TYPE	DOC PART	REVISION
				A2-SIZE	213814	SEE TABLE	GENERAL MARKET	2138140001-SD	PSD	000	A1
											SHEET NUMBER
											2 OF 2

DOCUMENT STATUS	P1	RELEASE DATE	2020/11/02	09:09:01
-----------------	----	--------------	------------	----------