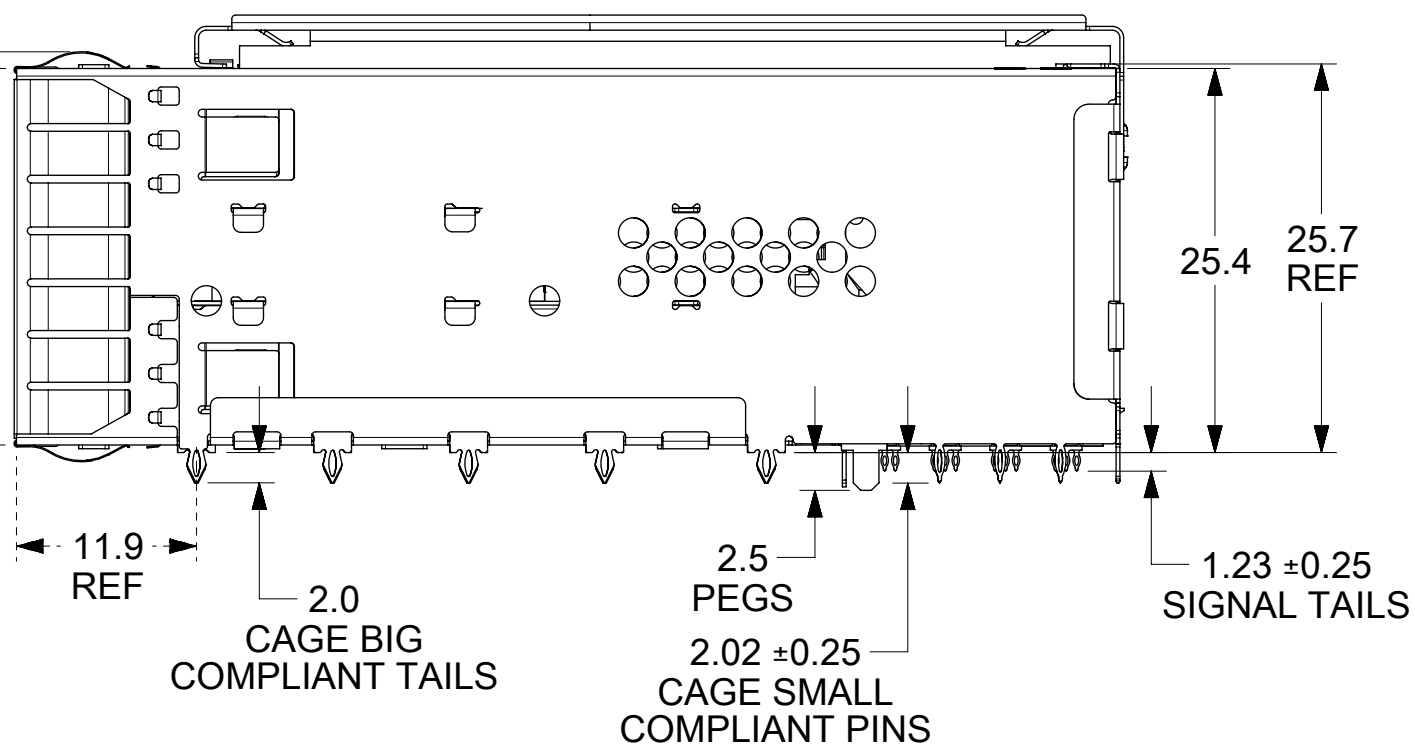


1.1 ^{+0.5}/_{-0.1} (2X)
FROM CAGE BODY

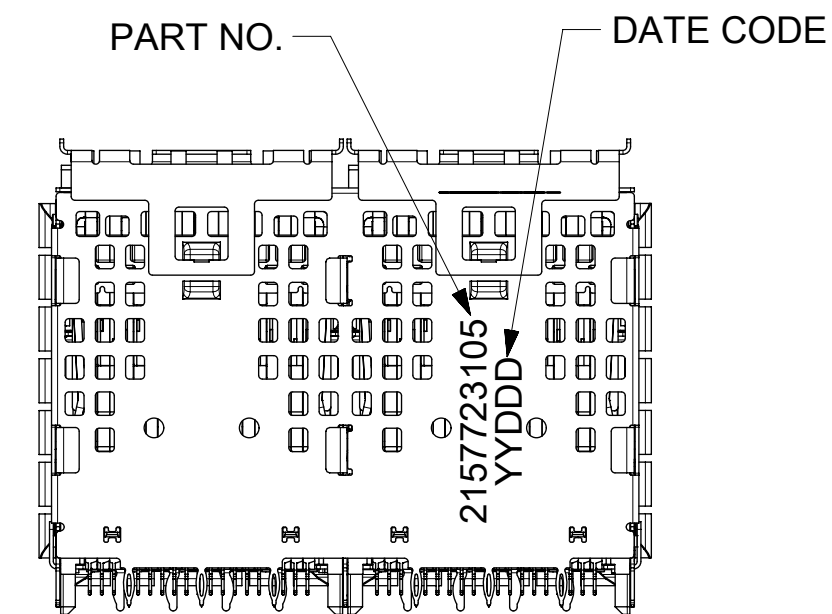
1.1 ^{+0.5}/_{-0.1} (2X)
FROM CAGE BODY

24.9 ±0.2
CAGE BODY

19.0 REF
TYP



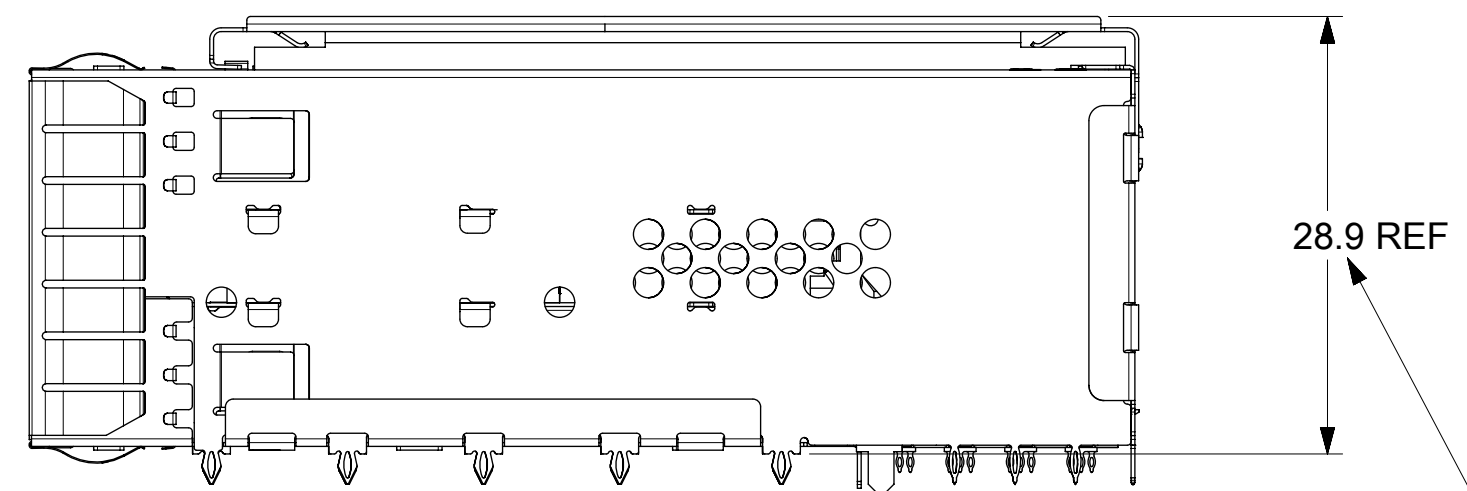
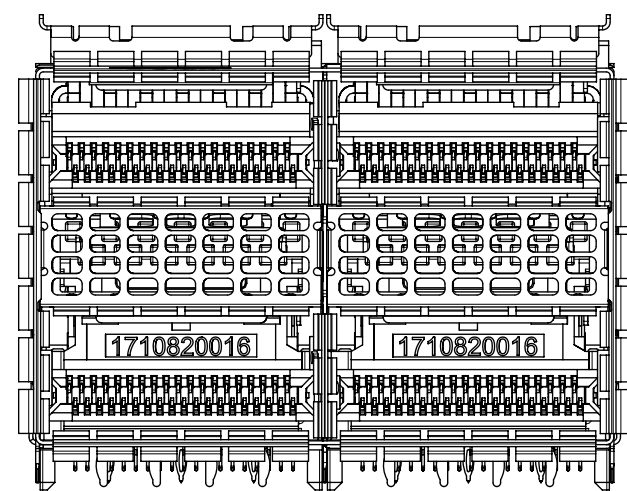
1.23 ±0.25
SIGNAL TAILS



NOTES:

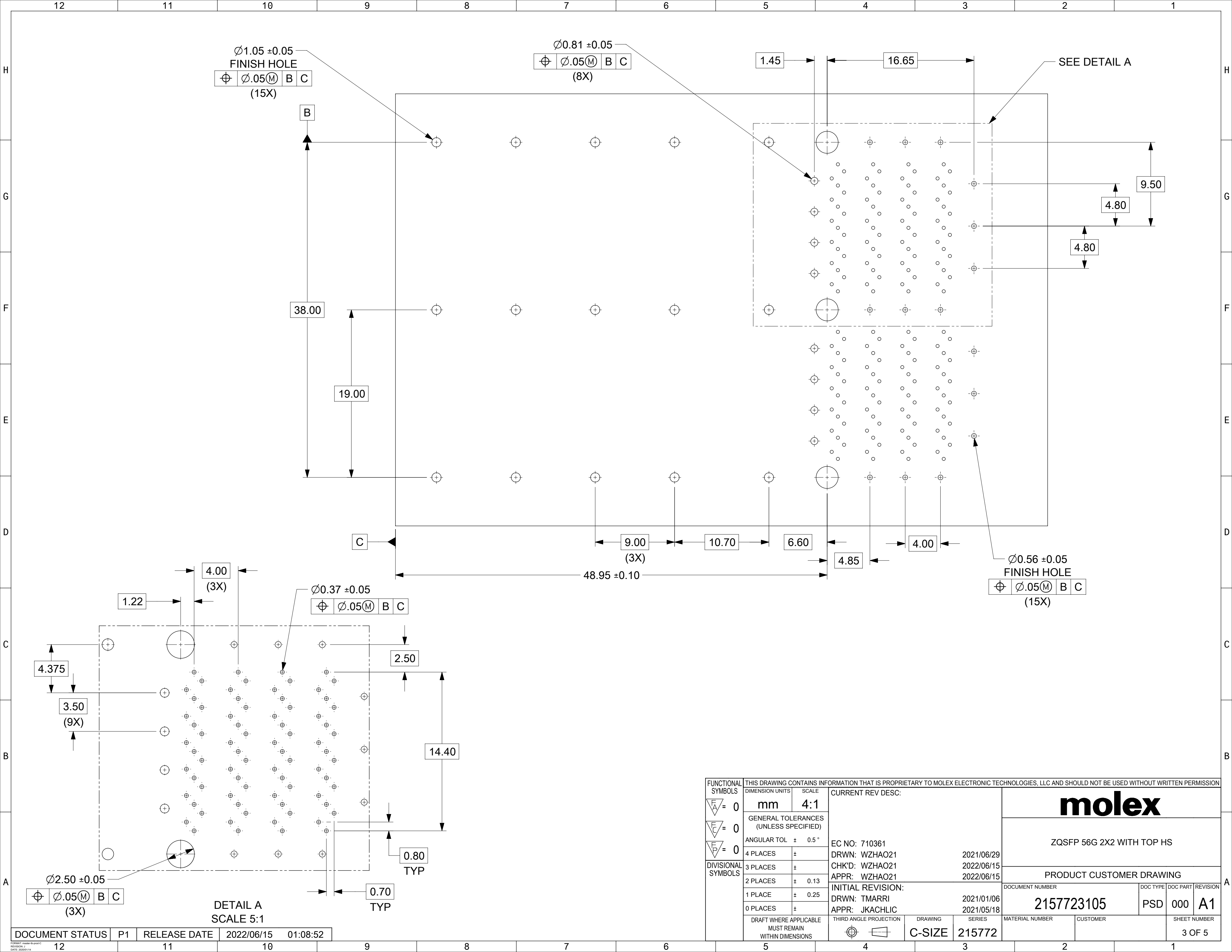
- MATERIAL:
CAGE: STAINLESS STEEL
SPRING FINGERS: COPPER ALLOY
CONNECTOR HOUSING: GLASS FILLED LIQUID CRYSTAL POLYMER (LCP), COLOR: BLACK 94V-0
TERMINALS: HIGH PERFORMANCE COPPER ALLOY
INTERNAL HEATSINKS AND TOP HEATSINKS: ANNOXIDIZED ALUMINUM
INTERNAL HEATSINK CLIPS AND TOP HEATSINK CLIPS : STAINLESS STEEL
- FINISH:
SPRING FINGERS: 0.5 MICROMETER MINIMUM NICKEL
TERMINALS:
CONTACT AREA: 0.76 MICROMETER MIN. GOLD OVER 3.8 MICROMETER MIN. NICKEL.
COMPLIANT AREA: 0.76 MICROMETER MIN. MATTE TIN OVER 1.27 MICROMETER MIN. NICKEL.
- ALL SURFACES TO BE CLASS 'C' OR BETTER PER MOLEX COSMETIC SPECIFICATION ES-171233-0001
- CONNECTOR INTENDED TO MATE WITH PLUG CABLE SERIES 74757 AND 74758.
- DATE CODE LOCATION SHOWN, DATE CODE FORMAT: YYDDD
YY: YEAR, DDD: DAY OF THE YEAR

FUNCTIONAL SYMBOLS FA = 0 FE = 0 FP = 0	THIS DRAWING CONTAINS INFORMATION THAT IS PROPRIETARY TO MOLEX ELECTRONIC TECHNOLOGIES, LLC AND SHOULD NOT BE USED WITHOUT WRITTEN PERMISSION		CURRENT REV DESC:	
	DIMENSION UNITS	SCALE		
	mm	2:1		
	GENERAL TOLERANCES (UNLESS SPECIFIED)			
DIVISIONAL SYMBOLS	ANGULAR TOL ± 0.5°		EC NO: 710361	
	4 PLACES ±		DRWN: WZHAO21	2021/06/29
	3 PLACES ±		CHK'D: WZHAO21	2022/06/15
	2 PLACES ± 0.13		APPR: WZHAO21	2022/06/15
1 PLACE ± 0.25		INITIAL REVISION:		
0 PLACES ±		DRWN: TMARRI		
DRAFT WHERE APPLICABLE MUST REMAIN WITHIN DIMENSIONS		APPR: JKACHLIC		
THIRD ANGLE PROJECTION		DRAWING	SERIES	DOCUMENT NUMBER
C-SIZE		215772	2157723105	PSD 000 A1
		MATERIAL NUMBER	CUSTOMER	SHEET NUMBER
				1 OF 5

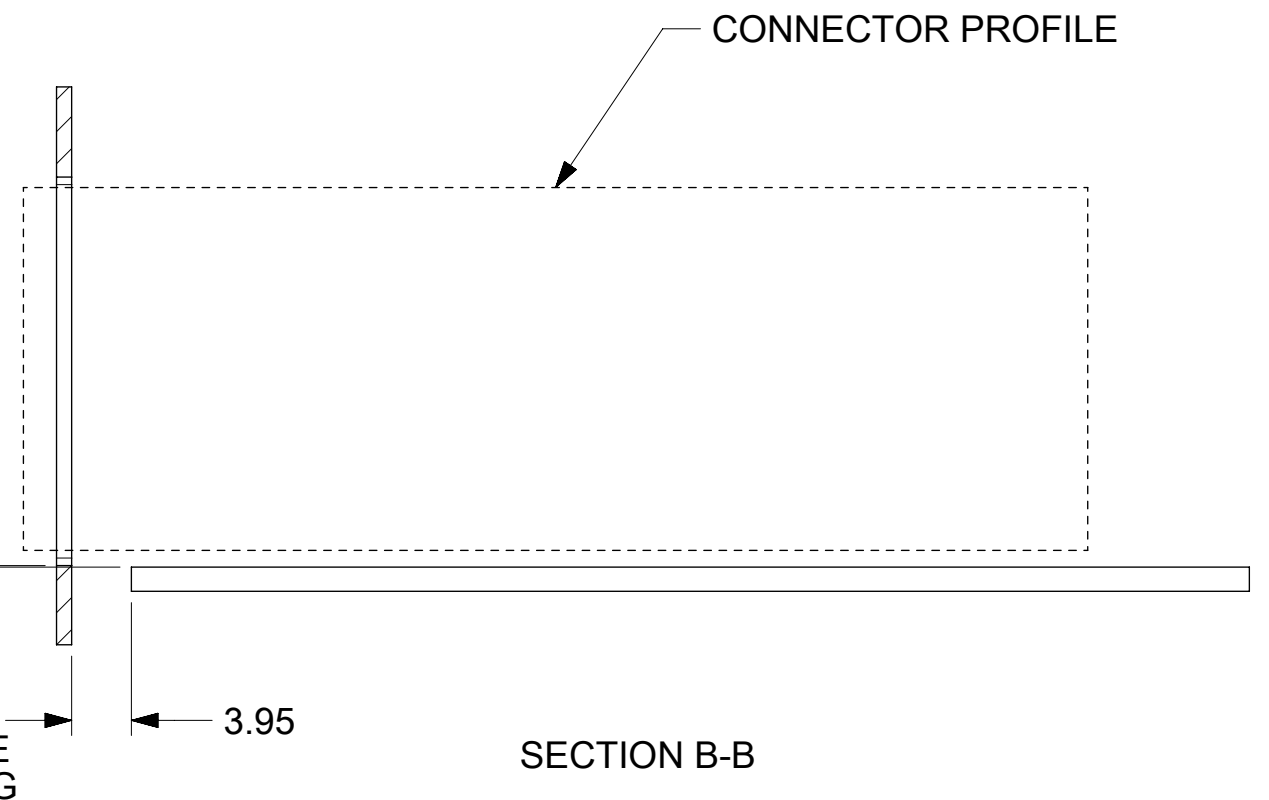
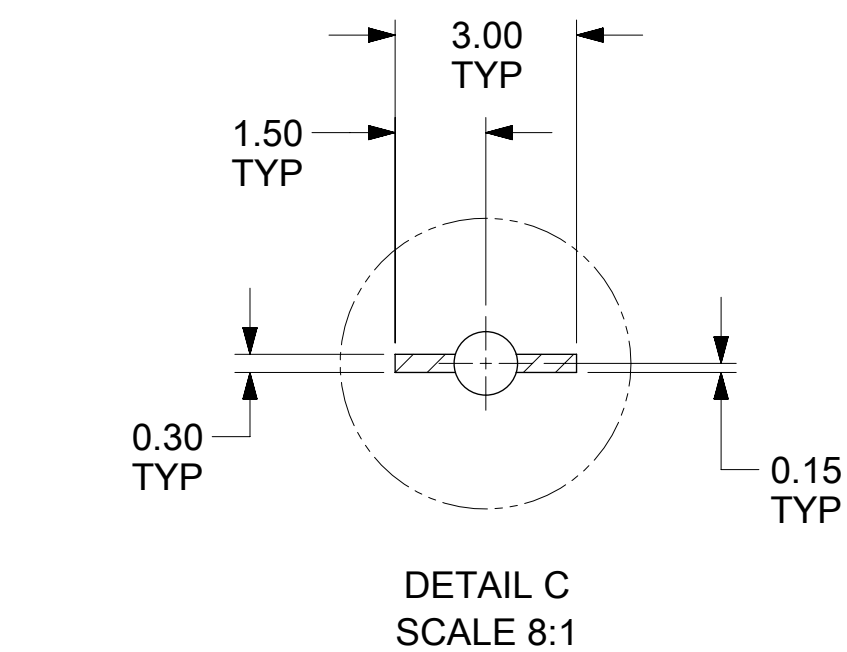
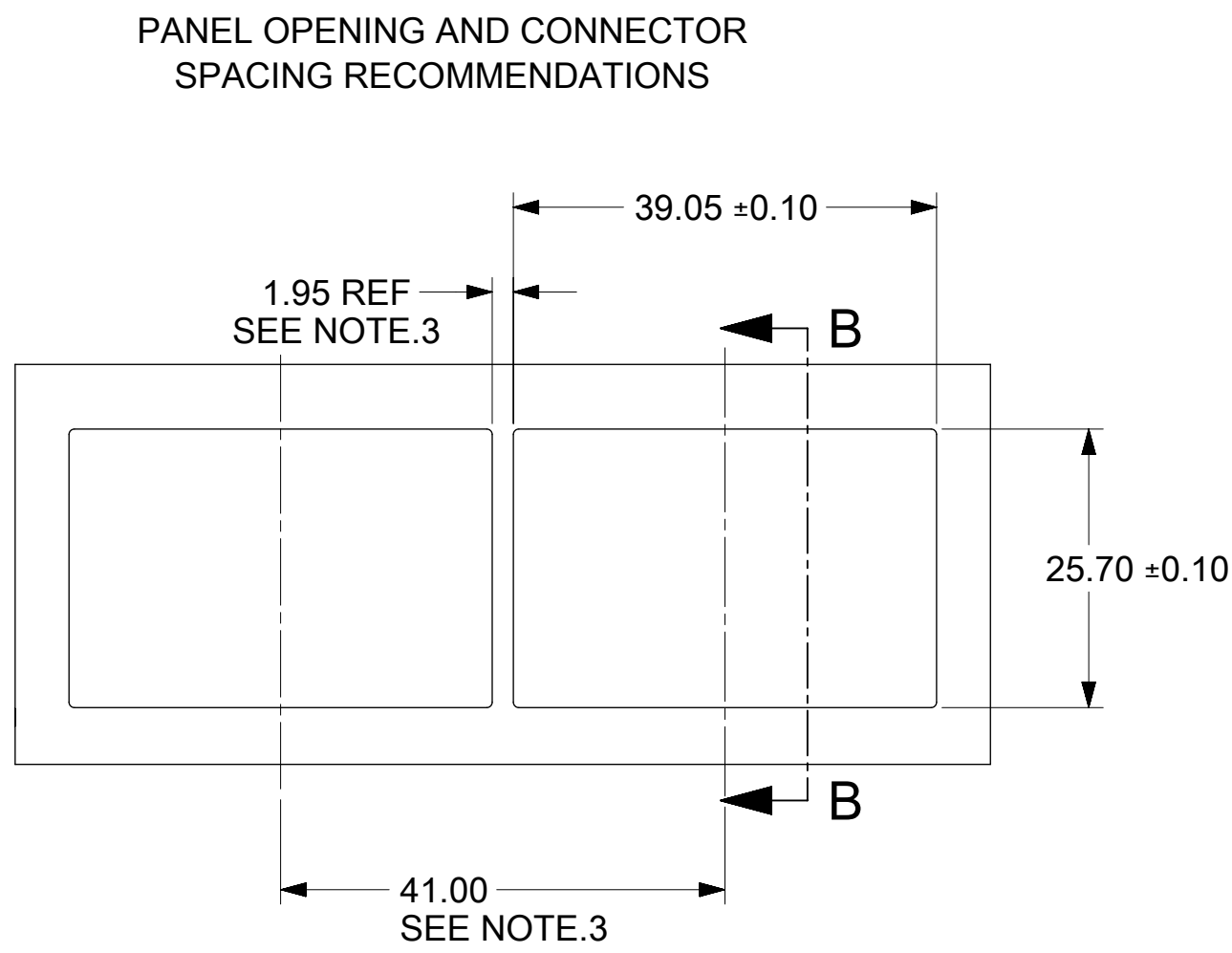
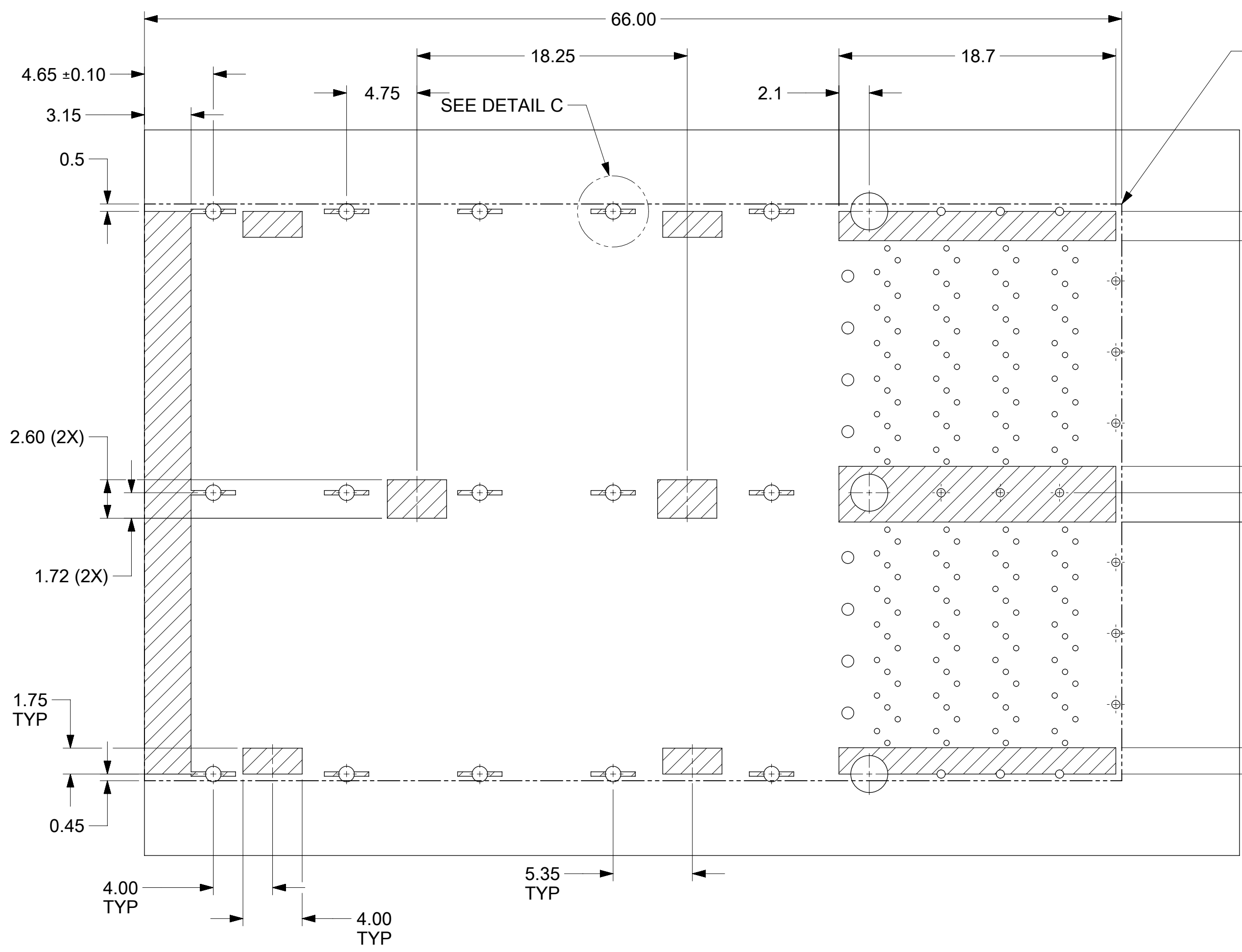


DIMENSION MAY INCREASE WITH PLUG MODULE INSERTED,
MAX. HEIGHT SHOULD LESS THAN 31.0MM

FUNCTIONAL SYMBOLS	THIS DRAWING CONTAINS INFORMATION THAT IS PROPRIETARY TO MOLEX ELECTRONIC TECHNOLOGIES, LLC AND SHOULD NOT BE USED WITHOUT WRITTEN PERMISSION													
	DIMENSION UNITS	SCALE	CURRENT REV DESC:							molex				
$\frac{F}{A} = 0$	mm	2:1	EC NO: 710361									ZQSFP 56G 2X2 WITH TOP HS		
$\frac{F}{C} = 0$	GENERAL TOLERANCES (UNLESS SPECIFIED)		DRWN: WZHAO21 2021/06/29							PRODUCT CUSTOMER DRAWING				
$\frac{F}{P} = 0$	ANGULAR TOL $\pm 0.5^\circ$		CHK'D: WZHAO21 2022/06/15											
DIVISIONAL SYMBOLS	4 PLACES \pm		APPR: WZHAO21 2022/06/15							DOCUMENT NUMBER		DOC TYPE	DOC PART	REVISION
	3 PLACES \pm		INITIAL REVISION:							2157723105		PSD	000	A1
	2 PLACES ± 0.13		DRWN: TMARRI 2021/01/06							MATERIAL NUMBER		CUSTOMER		SHEET NUMBER
	1 PLACE ± 0.25		APPR: JKACHLIC 2021/05/18											2 OF 5
0 PLACES \pm		DRAFT WHERE APPLICABLE MUST REMAIN WITHIN DIMENSIONS		THIRD ANGLE PROJECTION		DRAWING	SERIES							
						C-SIZE	215772							



FUNCTIONAL SYMBOLS	THIS DRAWING CONTAINS INFORMATION THAT IS PROPRIETARY TO MOLEX ELECTRONIC TECHNOLOGIES, LLC AND SHOULD NOT BE USED WITHOUT WRITTEN PERMISSION		CURRENT REV DESC:	
	DIMENSION UNITS	SCALE		
$\frac{F}{A} = 0$	mm	4:1		
$\frac{F}{C} = 0$	GENERAL TOLERANCES (UNLESS SPECIFIED)			
$\frac{F}{P} = 0$	ANGULAR TOL ± 0.5°			
DIVISIONAL SYMBOLS	4 PLACES	±	EC NO: 710361	2021/06/29
	3 PLACES	±	DRWN: WZHAO21	2022/06/15
	2 PLACES	± 0.13	CHK'D: WZHAO21	2022/06/15
	1 PLACE	± 0.25	APPR: WZHAO21	
	0 PLACES	±	INITIAL REVISION:	
DRAFT WHERE APPLICABLE MUST REMAIN WITHIN DIMENSIONS		THIRD ANGLE PROJECTION	DRAWING	SERIES
			C-SIZE	215772
DOCUMENT STATUS		DOC TYPE	DOC PART	REVISION
P1	RELEASE DATE	2022/06/15	01:08:52	
		2157723105	PSD	000
				A1
		MATERIAL NUMBER	CUSTOMER	SHEET NUMBER
				3 OF 5



- NOTES:**
1. THE ENTIRE AREA UNDER THE CONNECTOR IS A COMPONENT KEEP OUT ZONE.
 2. CROSS-HATCHED AREAS INDICATE PLACES WHERE THE PLASTIC HOUSING AND METAL CAGE MAY BE IN CONTACT WITH THE PCB SURFACE. THESE AREAS ARE THE TRACE KEEP-OUT ZONES.
 3. DIMENSIONS VARY BY PCB LAYOUT AND EXTRACTION TOOLING DESIGN.

FUNCTIONAL SYMBOLS	THIS DRAWING CONTAINS INFORMATION THAT IS PROPRIETARY TO MOLEX ELECTRONIC TECHNOLOGIES, LLC AND SHOULD NOT BE USED WITHOUT WRITTEN PERMISSION		
	DIMENSION UNITS	SCALE	CURRENT REV DESC:
	$\nabla_A = 0$	mm	4:1
	$\nabla_C = 0$	GENERAL TOLERANCES (UNLESS SPECIFIED)	
DIVISIONAL SYMBOLS	$\nabla_P = 0$	ANGULAR TOL $\pm 0.5^\circ$	
	4 PLACES	\pm	EC NO: 710361
	3 PLACES	\pm	DRWN: WZHAO21 2021/06/29
	2 PLACES	± 0.13	CHK'D: WZHAO21 2022/06/15
	1 PLACE	± 0.25	APPR: WZHAO21 2022/06/15
0 PLACES	\pm	INITIAL REVISION:	
DRAFT WHERE APPLICABLE MUST REMAIN WITHIN DIMENSIONS		THIRD ANGLE PROJECTION	DRAWING SERIES
			C-SIZE 215772

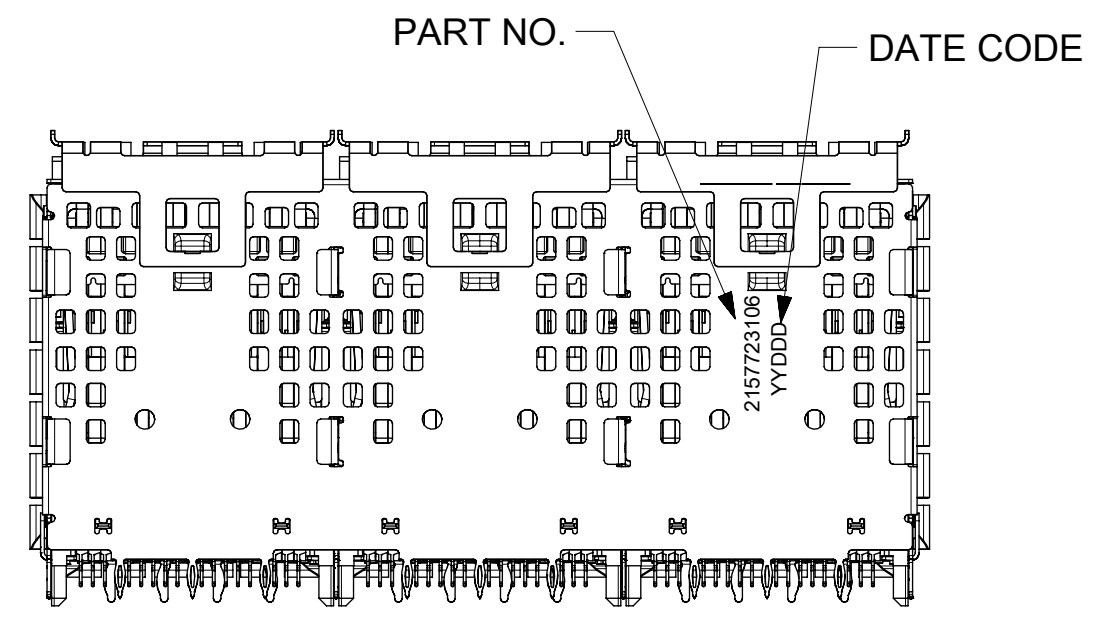
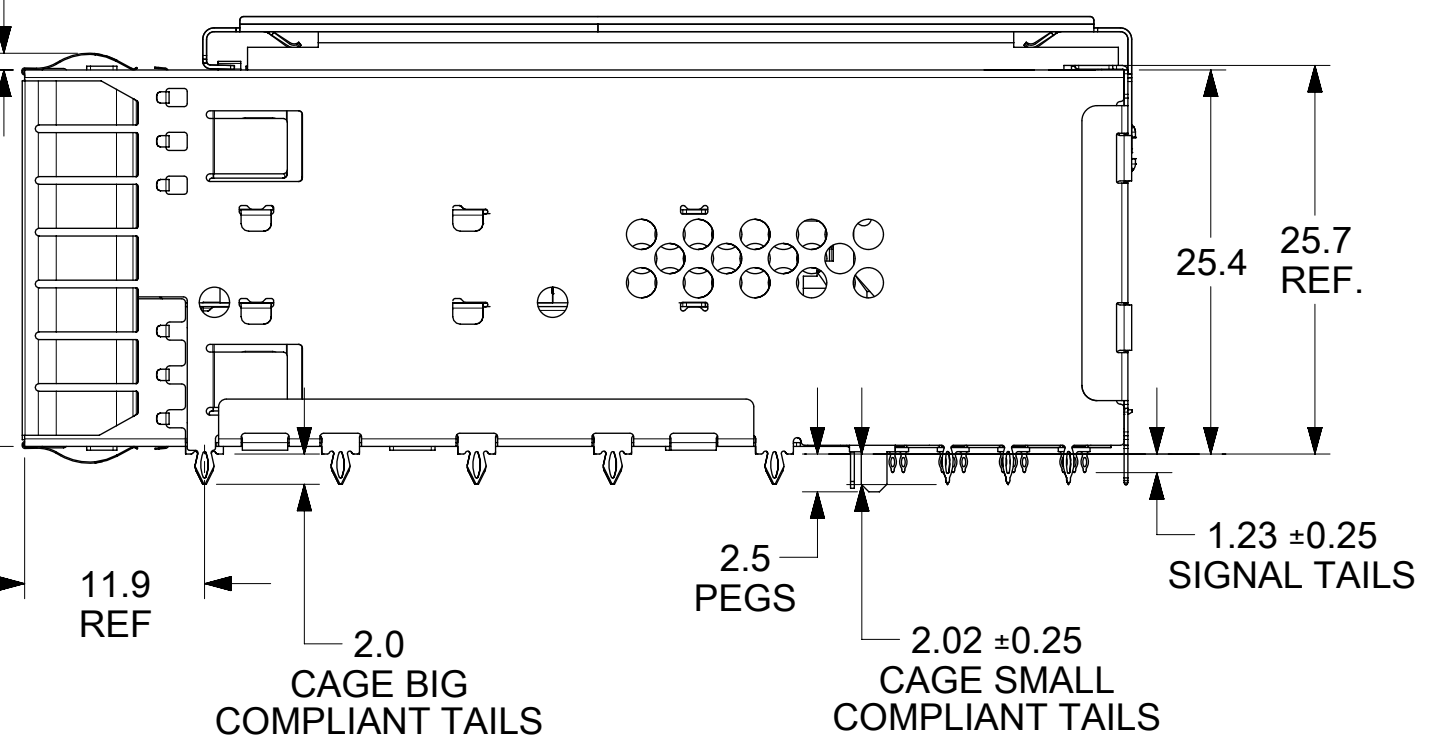
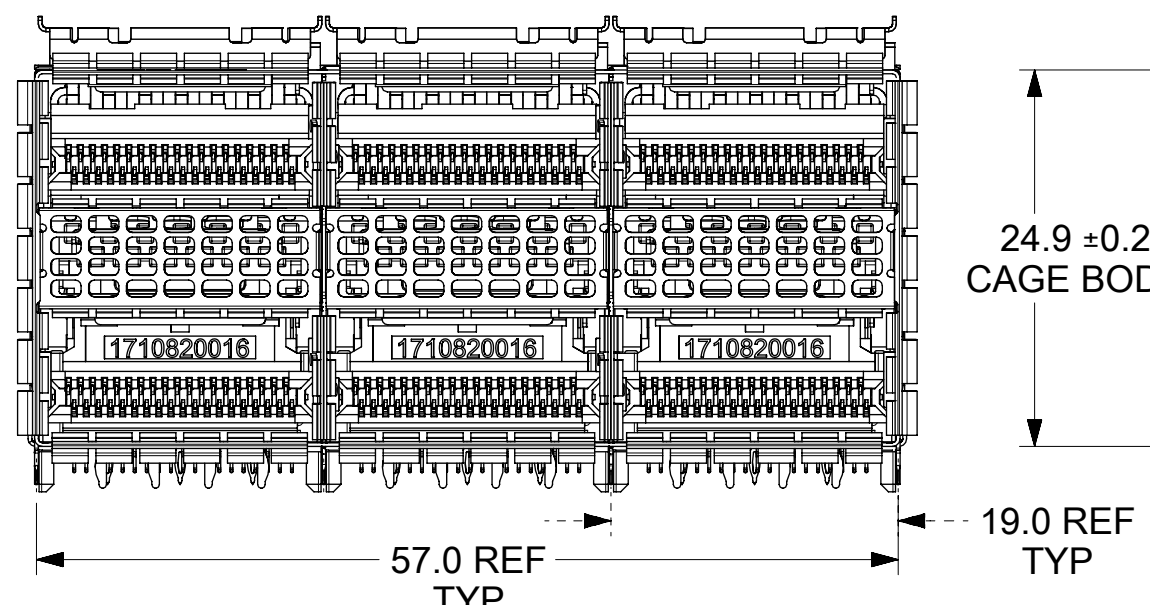
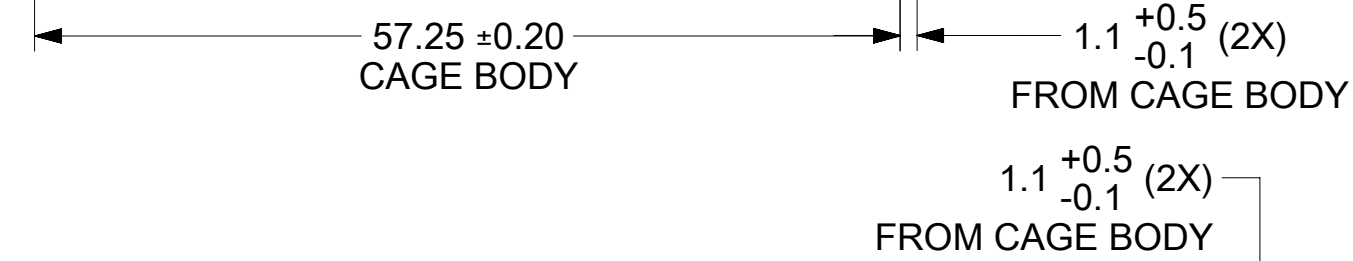
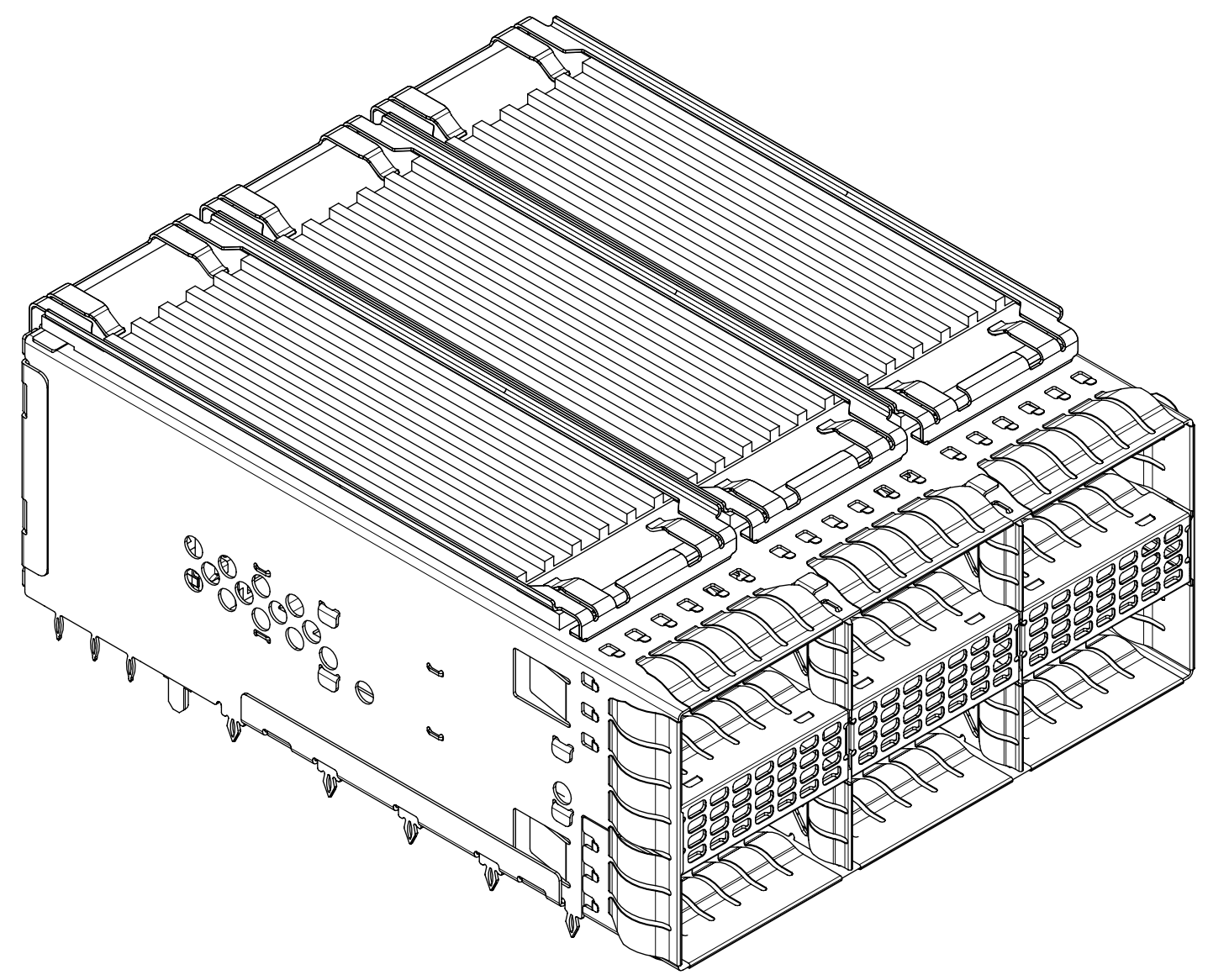
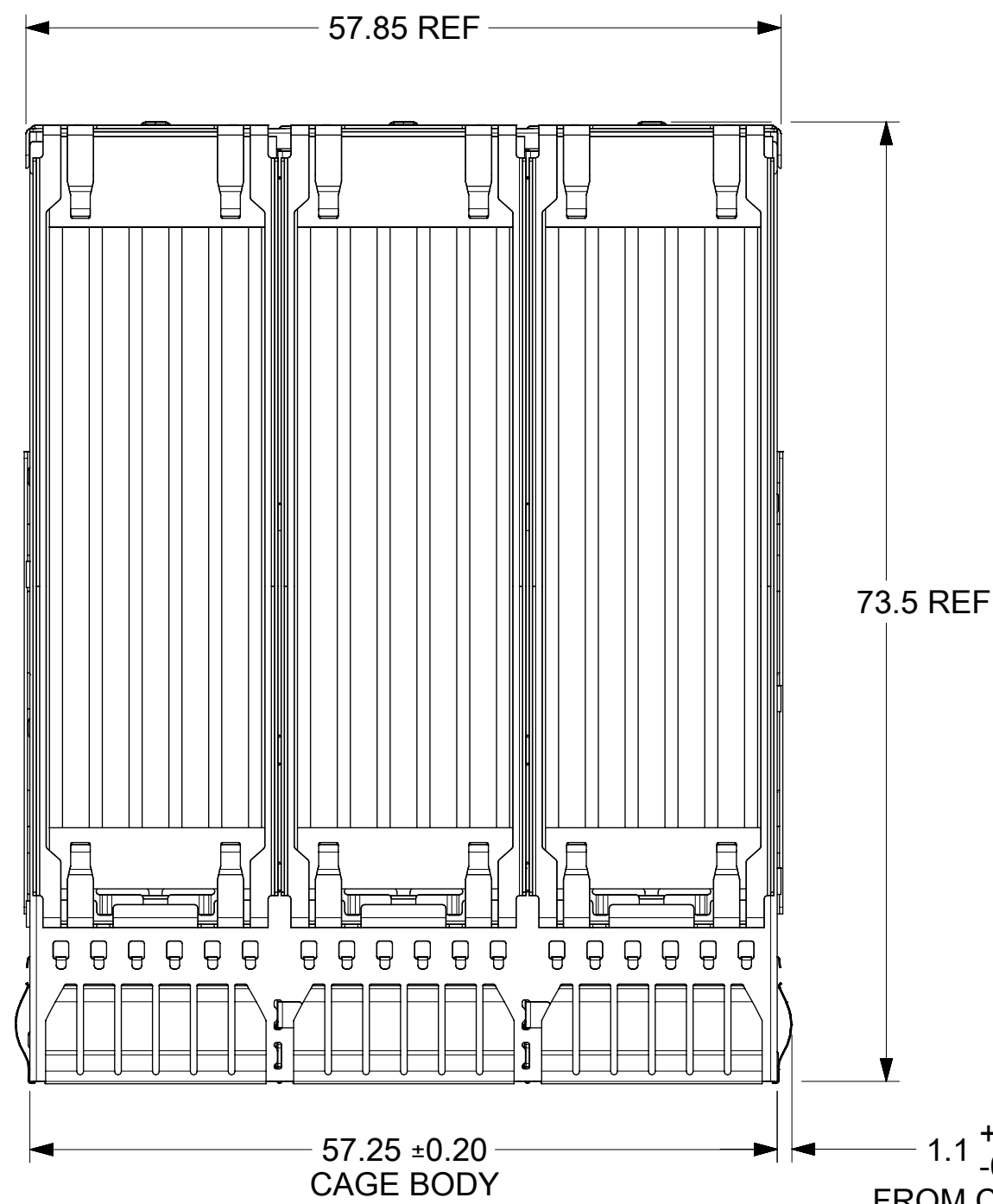
molex			
ZQSFP 56G 2X2 WITH TOP HS			
PRODUCT CUSTOMER DRAWING			
DOCUMENT NUMBER	DOC TYPE	DOC PART	REVISION
2157723105	PSD	000	A1
MATERIAL NUMBER	CUSTOMER	SHEET NUMBER	
		4 OF 5	

H
G
F
E
D
C
B
A

REVISION HISTORY		
DATE	REV.	DESCRIPTION
2021/01/07	A	INITIAL RELEASE
2021/06/29	A1	PAGE 3 H7, CORRET 0.81MM HOLE QUANTITY TO 8X WAS 15X.

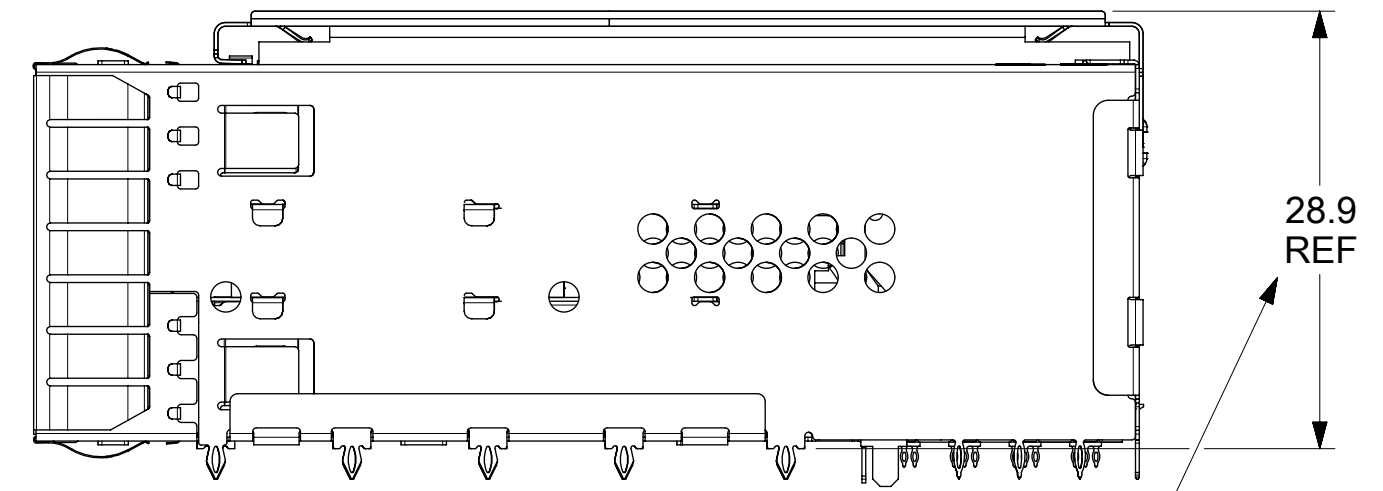
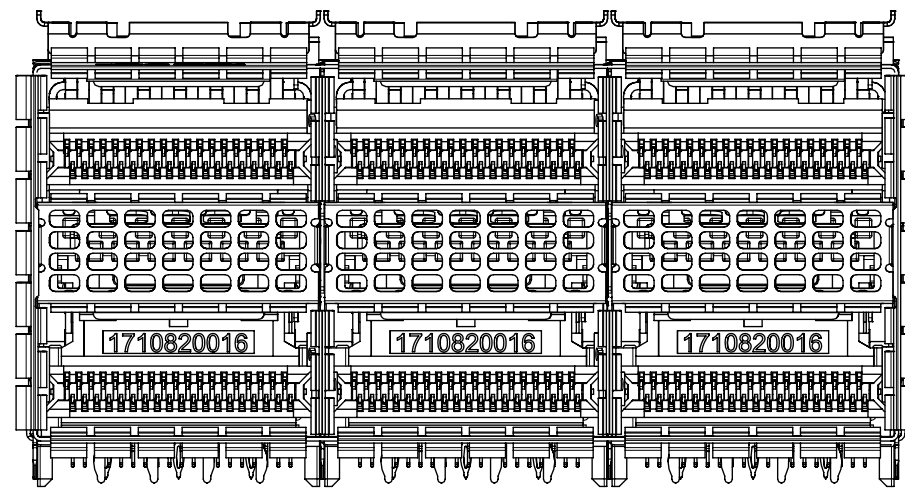
FUNCTIONAL SYMBOLS	THIS DRAWING CONTAINS INFORMATION THAT IS PROPRIETARY TO MOLEX ELECTRONIC TECHNOLOGIES, LLC AND SHOULD NOT BE USED WITHOUT WRITTEN PERMISSION													
	DIMENSION UNITS	SCALE	CURRENT REV DESC:							molex				
$\frac{F}{A} = 0$	mm	1:1	EC NO: 710361									ZQSFP 56G 2X2 WITH TOP HS		
$\frac{F}{C} = 0$	GENERAL TOLERANCES (UNLESS SPECIFIED)		DRWN: WZHAO21 2021/06/29							PRODUCT CUSTOMER DRAWING				
$\frac{F}{P} = 0$	ANGULAR TOL $\pm 0.5^\circ$		CHK'D: WZHAO21 2022/06/15											
DIVISIONAL SYMBOLS	4 PLACES \pm		APPR: WZHAO21 2022/06/15							DOCUMENT NUMBER		DOC TYPE	DOC PART	REVISION
	3 PLACES \pm		INITIAL REVISION:							2157723105		PSD	000	A1
	2 PLACES ± 0.13		DRWN: TMARRI 2021/01/06							MATERIAL NUMBER		CUSTOMER		SHEET NUMBER
	1 PLACE ± 0.25		APPR: JKACHLIC 2021/05/18							C-SIZE		215772		5 OF 5
0 PLACES \pm		DRAFT WHERE APPLICABLE MUST REMAIN WITHIN DIMENSIONS		THIRD ANGLE PROJECTION		DRAWING		SERIES		MATERIAL NUMBER		CUSTOMER		SHEET NUMBER

DOCUMENT STATUS	P1	RELEASE DATE	2022/06/15 01:08:52
-----------------	----	--------------	---------------------



- NOTES:
- MATERIAL:
 - CAGE: STAINLESS STEEL
 - SPRING FINGERS: COPPER ALLOY
 - CONNECTOR HOUSING: GLASS FILLED LIQUID CRYSTAL POLYMER (LCP), COLOR: BLACK 94V-0
 - TERMINALS: HIGH PERFORMANCE COPPER ALLOY
 - INTERNAL HEATSINKS AND TOP HEATSINKS: ANNODIZED ALUMINUM
 - INTERNAL HEATSINK CLIPS AND TOP HEATSINK CLIPS : STAINLESS STEEL
 - FINISH:
 - SPRING FINGERS: 0.5 MICROMETER MINIMUM NICKEL
 - TERMINALS:
 - CONTACT AREA: 0.76 MICROMETER MIN. GOLD OVER 3.8 MICROMETER MIN. NICKEL.
 - COMPLIANT AREA: 0.76 MICROMETER MIN. MATTE TIN OVER 1.27 MICROMETER MIN. NICKEL.
 - ALL SURFACES TO BE CLASS 'C' OR BETTER PER MOLEX COSMETIC SPECIFICATION ES-171233-001
 - CONNECTOR INTENDED TO MATE WITH PLUG CABLE SERIES 74757 AND 74758.
 - DATE CODE LOCATION SHOWN, DATE CODE FORMAT: YYDDD
YY: YEAR, DDD: DAY OF THE YEAR

FUNCTIONAL SYMBOLS $\nabla_A = 0$ $\nabla_E = 0$ $\nabla_P = 0$ DIVISIONAL SYMBOLS	THIS DRAWING CONTAINS INFORMATION THAT IS PROPRIETARY TO MOLEX ELECTRONIC TECHNOLOGIES, LLC AND SHOULD NOT BE USED WITHOUT WRITTEN PERMISSION		CURRENT REV DESC:	
	DIMENSION UNITS	SCALE		
	mm	2:1		
	GENERAL TOLERANCES (UNLESS SPECIFIED)			
	ANGULAR TOL $\pm 0.5^\circ$			
4 PLACES \pm		EC NO: 710361		
3 PLACES \pm		DRWN: SSU09	2022/06/14	
2 PLACES ± 0.13		CHK'D: WZHAO21	2022/06/15	
1 PLACE ± 0.25		APPR: WZHAO21	2022/06/15	
0 PLACES \pm		INITIAL REVISION:		
DRAFT WHERE APPLICABLE MUST REMAIN WITHIN DIMENSIONS		DRWN: TMARRI	2020/11/03	
THIRD ANGLE PROJECTION		APPR: JKACHLIC	2021/05/18	
DRAWING		SERIES	DOCUMENT NUMBER	DOC TYPE DOC PART REVISION
C-SIZE		215772	2157723106	PSD 000 A1
		MATERIAL NUMBER	CUSTOMER	SHEET NUMBER
				1 OF 5



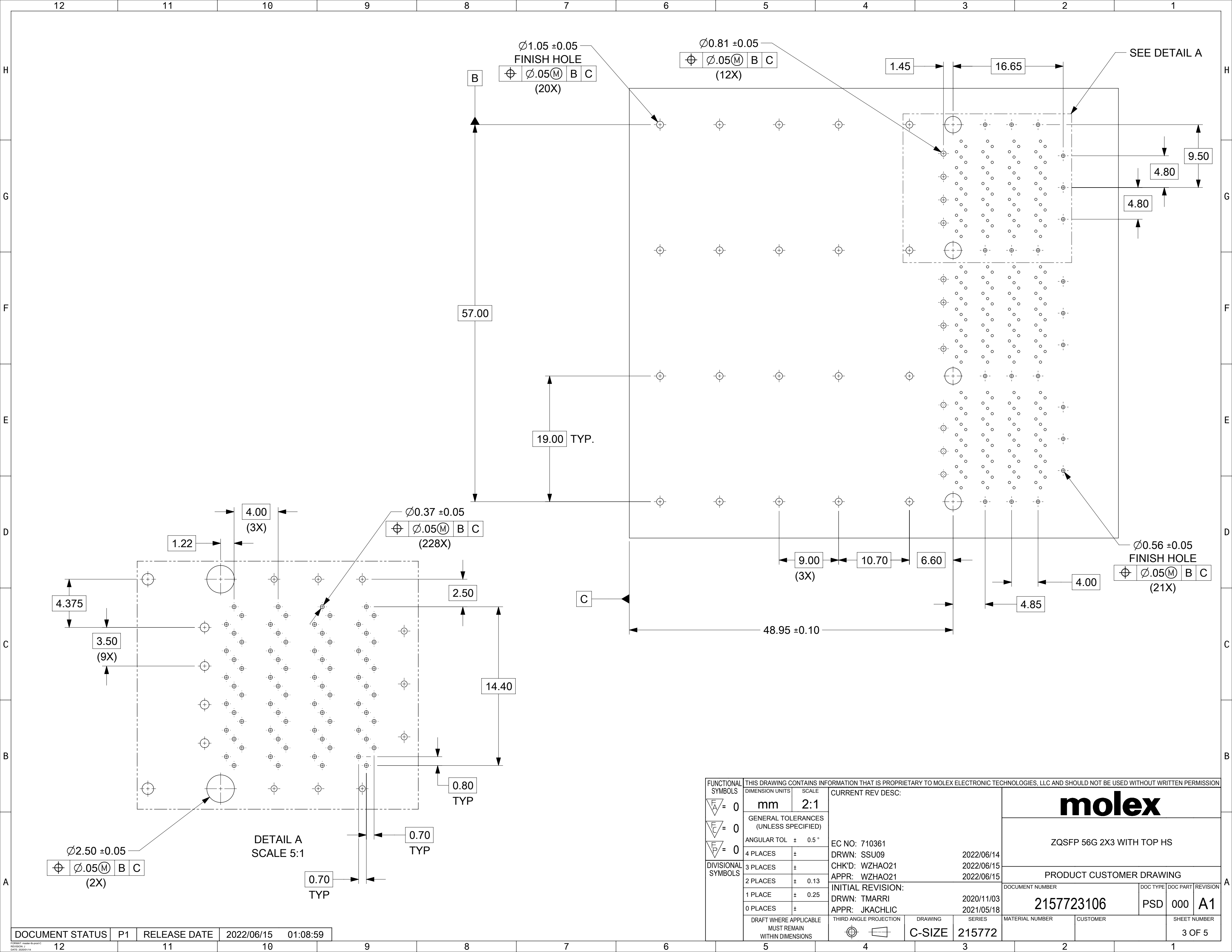
DIMENSION MAY INCREASE WITH PLUG MODULE INSERTED,
MAX. HEIGHT SHOULD LESS THAN 31.0MM

FUNCTIONAL SYMBOLS	THIS DRAWING CONTAINS INFORMATION THAT IS PROPRIETARY TO MOLEX ELECTRONIC TECHNOLOGIES, LLC AND SHOULD NOT BE USED WITHOUT WRITTEN PERMISSION		
	DIMENSION UNITS	SCALE	CURRENT REV DESC:
$\frac{F}{A} = 0$	mm	2:1	EC NO: 710361 DRWN: SSU09 2022/06/14 CHK'D: WZHAO21 2022/06/15 APPR: WZHAO21 2022/06/15
$\frac{F}{C} = 0$	GENERAL TOLERANCES (UNLESS SPECIFIED)		
$\frac{F}{P} = 0$	ANGULAR TOL $\pm 0.5^\circ$		INITIAL REVISION: DRWN: TMARRI 2020/11/03 APPR: JKACHLIC 2021/05/18
DIVISIONAL SYMBOLS	4 PLACES \pm		
	3 PLACES \pm		DOCUMENT NUMBER 2157723106
	2 PLACES ± 0.13		
	1 PLACE ± 0.25		DOC PART 000
	0 PLACES \pm		REVISION A1
	DRAFT WHERE APPLICABLE MUST REMAIN WITHIN DIMENSIONS	THIRD ANGLE PROJECTION	MATERIAL NUMBER
			CUSTOMER
		DRAWING	SHEET NUMBER
		C-SIZE	215772
		SERIES	2 OF 5

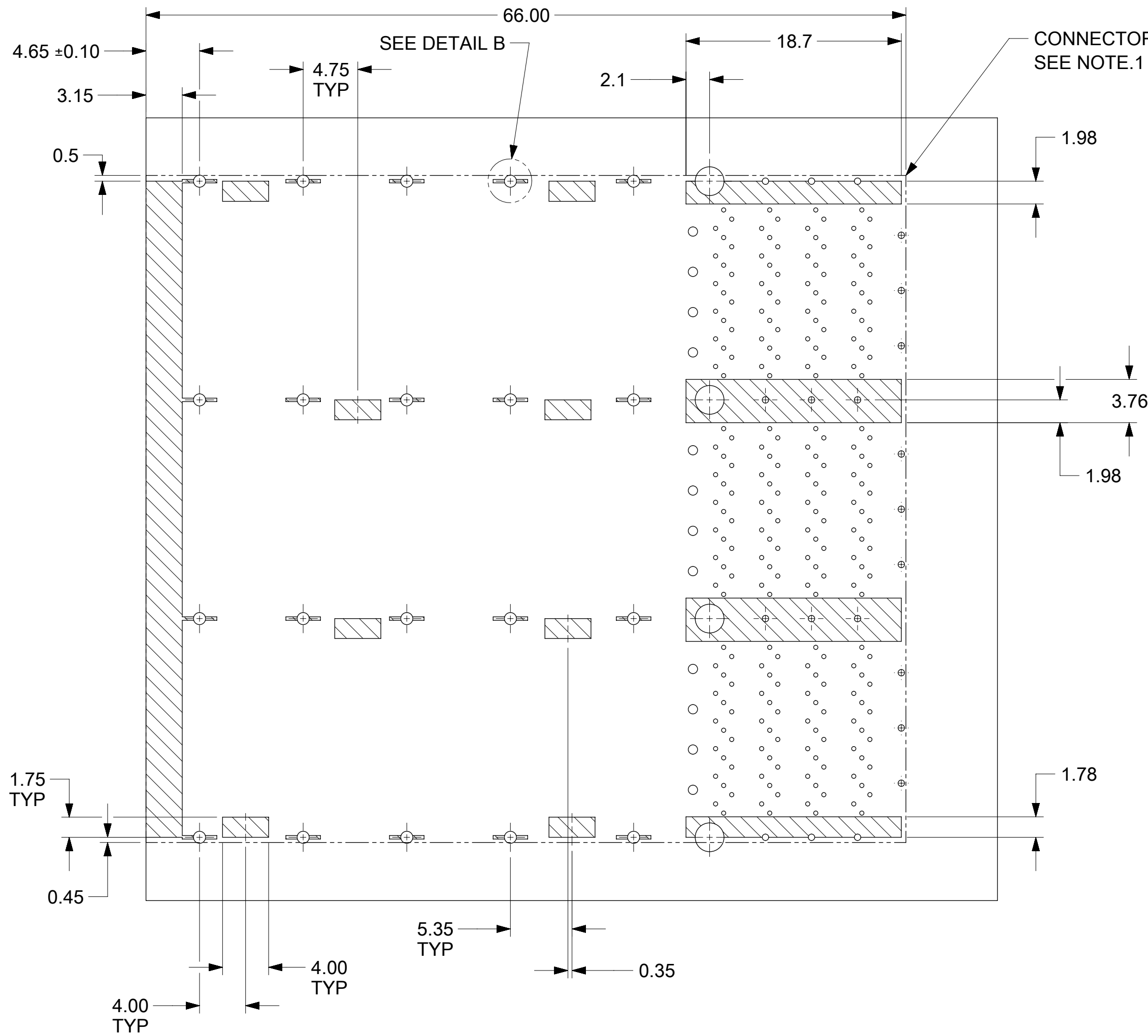
molex

ZQSFP 56G 2X3 WITH TOP HS

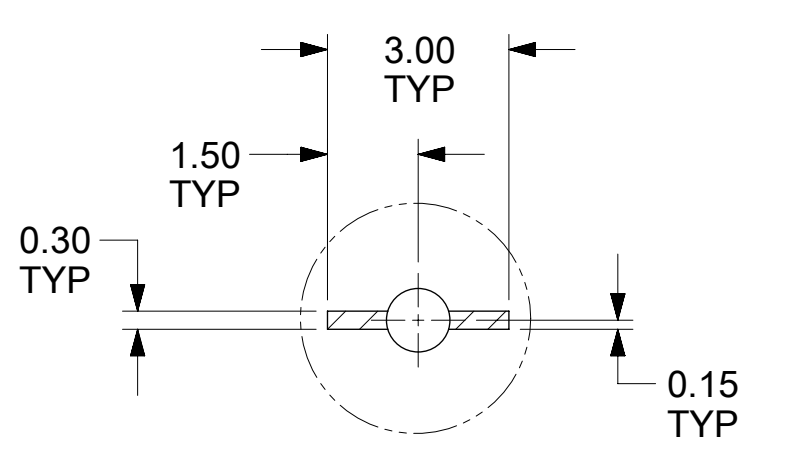
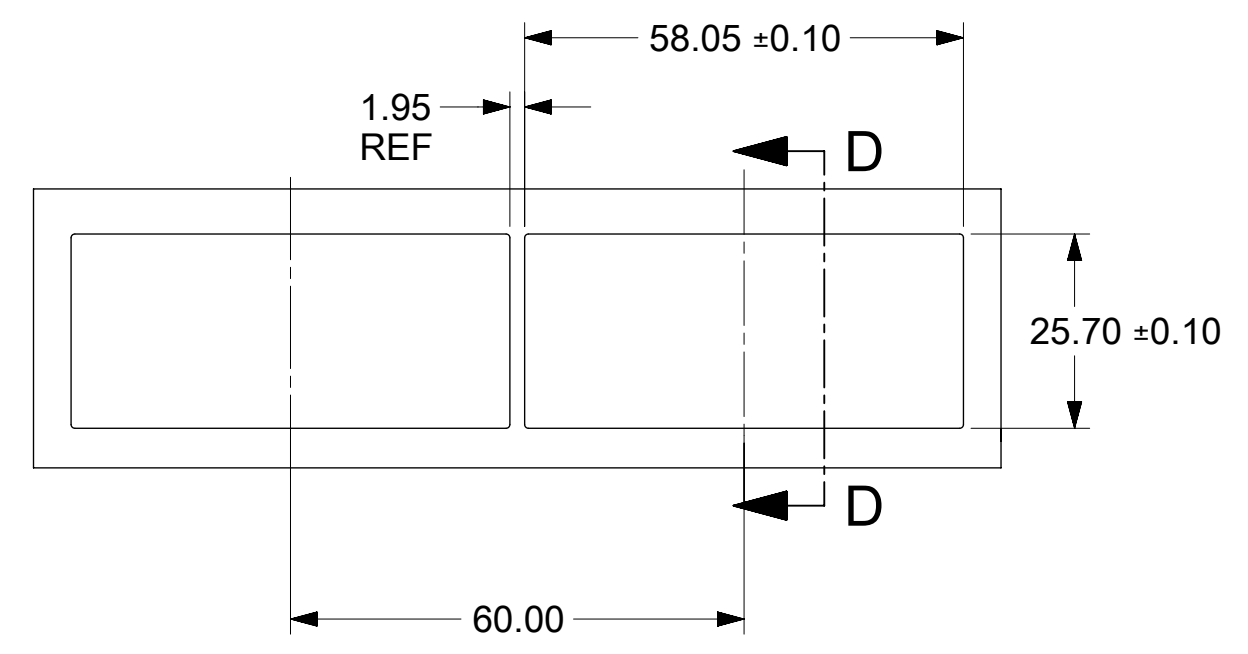
PRODUCT CUSTOMER DRAWING



FUNCTIONAL SYMBOLS	THIS DRAWING CONTAINS INFORMATION THAT IS PROPRIETARY TO MOLEX ELECTRONIC TECHNOLOGIES, LLC AND SHOULD NOT BE USED WITHOUT WRITTEN PERMISSION							
	DIMENSION UNITS	SCALE	CURRENT REV DESC:					
$\frac{F}{A} = 0$	mm	2:1	EC NO: 710361 DRWN: SSU09 CHK'D: WZHAO21 APPR: WZHAO21					
$\frac{F}{C} = 0$	GENERAL TOLERANCES (UNLESS SPECIFIED)							
$\frac{F}{P} = 0$	ANGULAR TOL ± 0.5°		2022/06/14					
DIVISIONAL SYMBOLS	4 PLACES	±	2022/06/15					
	3 PLACES	±	2022/06/15					
	2 PLACES	± 0.13	2022/06/15					
	1 PLACE	± 0.25						
0 PLACES	±		INITIAL REVISION: DRWN: TMARRI APPR: JKACHLIC					
DRAFT WHERE APPLICABLE MUST REMAIN WITHIN DIMENSIONS		THIRD ANGLE PROJECTION	DRAWING	SERIES	DOCUMENT NUMBER	DOC TYPE	DOC PART	REVISION
			C-SIZE	215772	2157723106	PSD	000	A1
					MATERIAL NUMBER	CUSTOMER	SHEET NUMBER	
							3 OF 5	

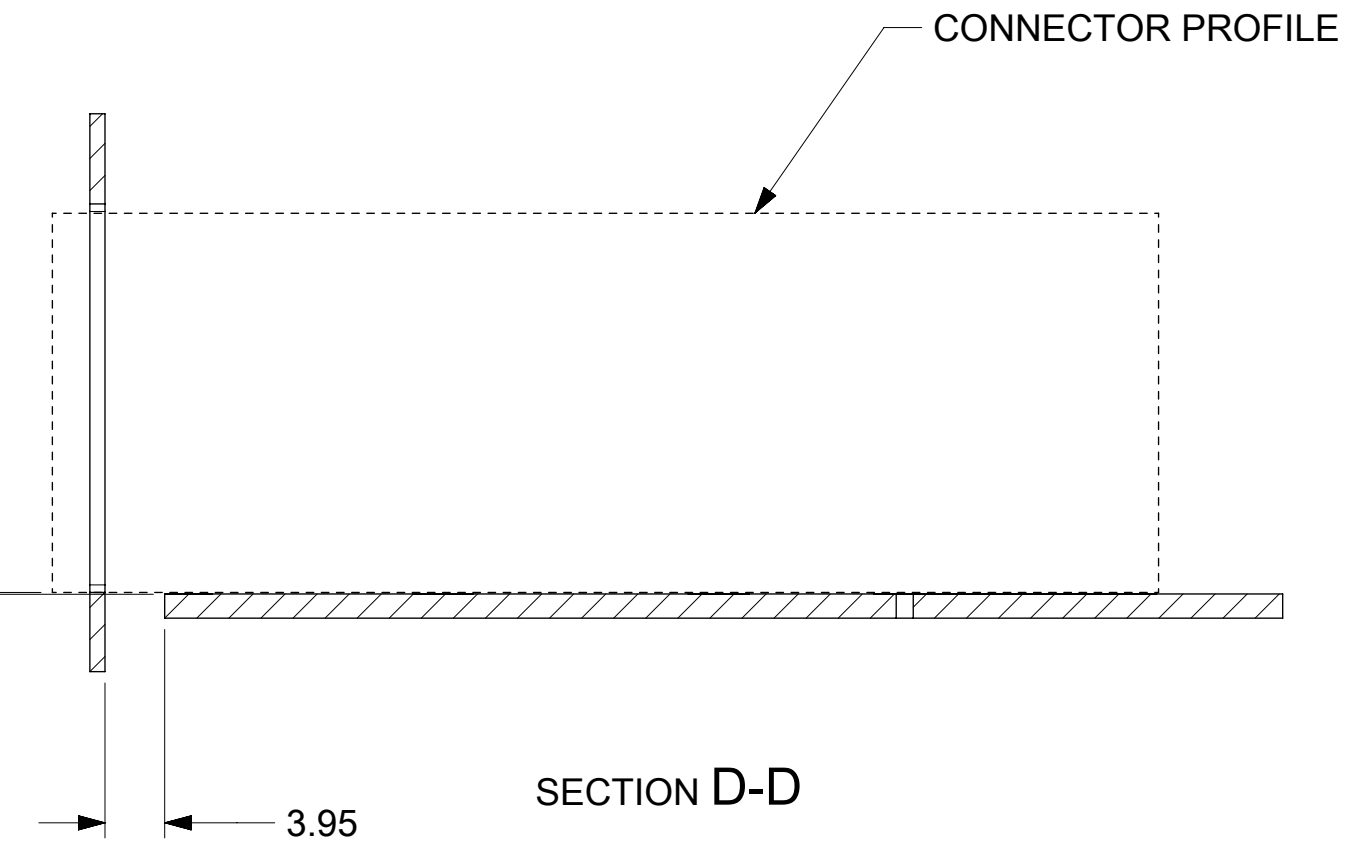


PANEL OPENING AND CONNECTOR SPACING RECOMMENDATIONS



DETAIL B
SCALE 8:1

0.1 ±0.1
PCB TOP SURFACE
TO PANEL OPENING



- NOTES:
1. THE ENTIRE AREA UNDER THE CONNECTOR IS A COMPONENT KEEP OUT ZONE.
2. CROSS-HATCHED AREAS INDICATE PLACES WHERE THE PLASTIC HOUSING AND METAL CAGE MAY BE IN CONTACT WITH THE PCB SURFACE. THESE AREAS ARE THE TRACE KEEP-OUT ZONES.

FUNCTIONAL SYMBOLS	THIS DRAWING CONTAINS INFORMATION THAT IS PROPRIETARY TO MOLEX ELECTRONIC TECHNOLOGIES, LLC AND SHOULD NOT BE USED WITHOUT WRITTEN PERMISSION		CURRENT REV DESC:		molex				
	DIMENSION UNITS	SCALE							
$\nabla_A = 0$	mm	3:1			ZQSFP 56G 2X3 WITH TOP HS				
$\nabla_C = 0$	GENERAL TOLERANCES (UNLESS SPECIFIED)								
$\nabla_P = 0$	ANGULAR TOL ± 0.5°				PRODUCT CUSTOMER DRAWING				
DIVISIONAL SYMBOLS	4 PLACES	±	EC NO: 710361	2022/06/14					
	3 PLACES	±	DRWN: SSU09	2022/06/15					
	2 PLACES	± 0.13	CHK'D: WZHAO21	2022/06/15					
	1 PLACE	± 0.25	APPR: WZHAO21	2022/06/15					
0 PLACES	±	INITIAL REVISION:			DOCUMENT NUMBER	DOC TYPE	DOC PART	REVISION	
DRAFT WHERE APPLICABLE MUST REMAIN WITHIN DIMENSIONS		THIRD ANGLE PROJECTION	DRAWING	SERIES	MATERIAL NUMBER	CUSTOMER	SHEET NUMBER		
			C-SIZE	215772	2157723106		PSD	000	A1
DOCUMENT STATUS	P1	RELEASE DATE	2022/06/15	01:08:59			4 OF 5		

H
G
F
E
D
C
B
A

REVISION HISTORY		
DATE	REV.	DESCRIPTION
2020/11/03	1	INITIAL RELEASE
2022/06/14	A1	UPDATE DRAWING TO GENERA MARKET

FUNCTIONAL SYMBOLS = 0 = 0 = 0 DIVISIONAL SYMBOLS 4 PLACES ± 3 PLACES ± 2 PLACES ± 0.13 1 PLACE ± 0.25 0 PLACES ± DRAFT WHERE APPLICABLE MUST REMAIN WITHIN DIMENSIONS	THIS DRAWING CONTAINS INFORMATION THAT IS PROPRIETARY TO MOLEX ELECTRONIC TECHNOLOGIES, LLC AND SHOULD NOT BE USED WITHOUT WRITTEN PERMISSION		DIMENSION UNITS: mm SCALE: 1:1		CURRENT REV DESC: EC NO: 710361 DRWN: SSU09 CHK'D: WZHAO21 APPR: WZHAO21			
	GENERAL TOLERANCES (UNLESS SPECIFIED) ANGULAR TOL ± 0.5°		2022/06/14 2022/06/15 2022/06/15		ZQSFP 56G 2X3 WITH TOP HS		PRODUCT CUSTOMER DRAWING	
INITIAL REVISION: DRWN: TMARRI APPR: JKACHLIC		2020/11/03 2021/05/18		DOCUMENT NUMBER: 2157723106		DOC TYPE: PSD DOC PART: 000 REVISION: A1		
THIRD ANGLE PROJECTION 		DRAWING: C-SIZE SERIES: 215772		MATERIAL NUMBER:		CUSTOMER:		
				SHEET NUMBER: 5 OF 5				