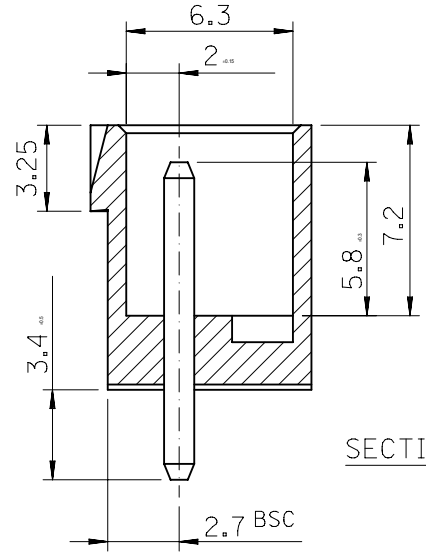
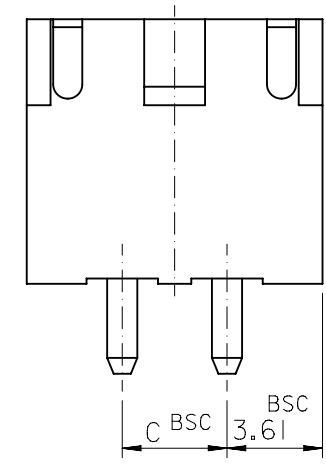
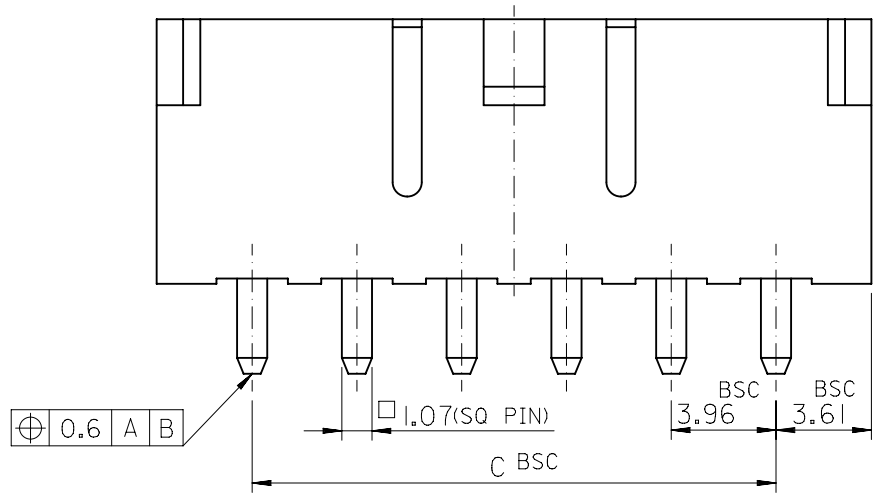
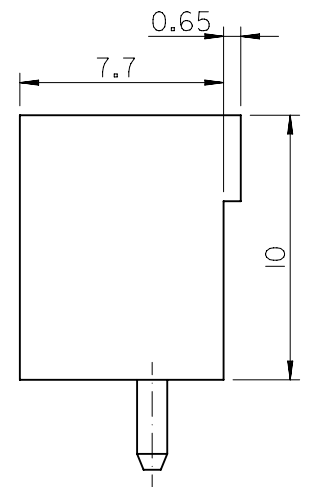
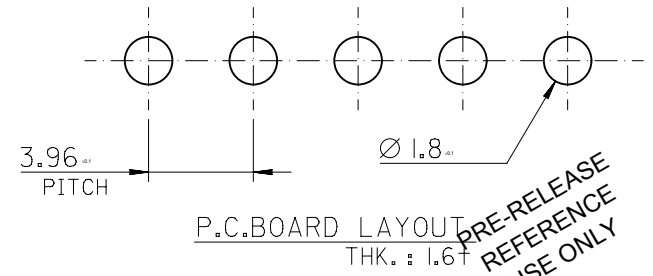
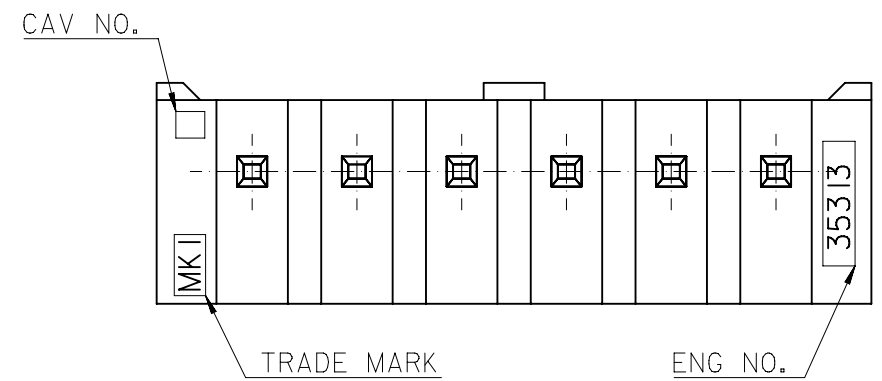


NOTE  
 1. MATERIAL : WAFER : NYLON66, GLASS FILLED 20%  
 PIN : BRASS, TIN PLATED  
 2. LEGEND  
 35313-\*\*\* 6 \*  
 COLOR : 0 - NATURAL  
 1 - BLACK  
 2 - RED  
 3 - YELLOW  
 4 - BLUE  
 CKT NO.(02,03,04...)  
 3. THIS PRODUCT SHALL BE COMPLIED WITH  
 RoHS COMPATIBLE(LEAD FREE SOLDERABILITY)



2 CKT ONLY



27.72	32.94	34.94	35313-086*	8
23.76	28.98	30.98	-076*	7
19.8	25.02	27.02	-066*	6
15.84	21.06	23.06	-056*	5
11.88	17.1	19.1	-046*	4
7.92	13.14	15.14	-036*	3
3.96	9.18	11.18	35313-026*	2
C	B	A	ENG NO.	CKT NO.

FUNCTIONAL SYMBOLS		THIS DRAWING CONTAINS INFORMATION THAT IS PROPRIETARY TO MOLEX ELECTRONIC TECHNOLOGIES, LLC AND SHOULD NOT BE USED WITHOUT WRITTEN PERMISSION			
DIMENSION UNITS		SCALE			
mm		3.5:1		3.96 PITCH W/B CONN. WAFER ASS	
GENERAL TOLERANCES (UNLESS SPECIFIED)		CURRENT REV DESC: OBSOLETE PART NUMBERS AS PER PCN#510806		PRODUCT CUSTOMER DRAWING	
4 PLACES ± 0.0 ±		EC NO: 733771		DOCUMENT NUMBER	
3 PLACES ± 0.0 ±		DRWN: ANIKES1		DOC TYPE	
2 PLACES ± 0.2 ±		CHK'D: GGA		DOC PART	
1 PLACE ± 0.2 ±		APPR: GGA		REVISION	
0 PLACES ±		INITIAL REVISION:		SD-35313-001	
ANGULAR TOL ± °		DRWN: KSKIM		PSD	
DRAFT WHERE APPLICABLE MUST REMAIN WITHIN DIMENSIONS		APPR: CHANGWOOLEE		001	
THIRD ANGLE PROJECTION		DRAWING		C1	
B-SIZE		SERIES		SHEET NUMBER	
35313		MATERIAL NUMBER		1 OF 1	
SEE TABLE		CUSTOMER			
GENERAL MARKET					