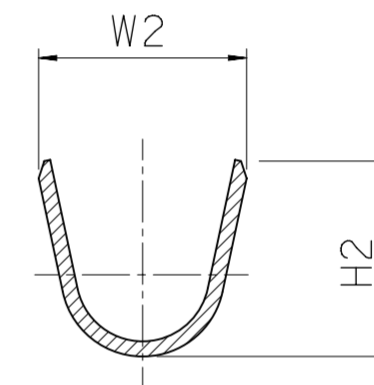
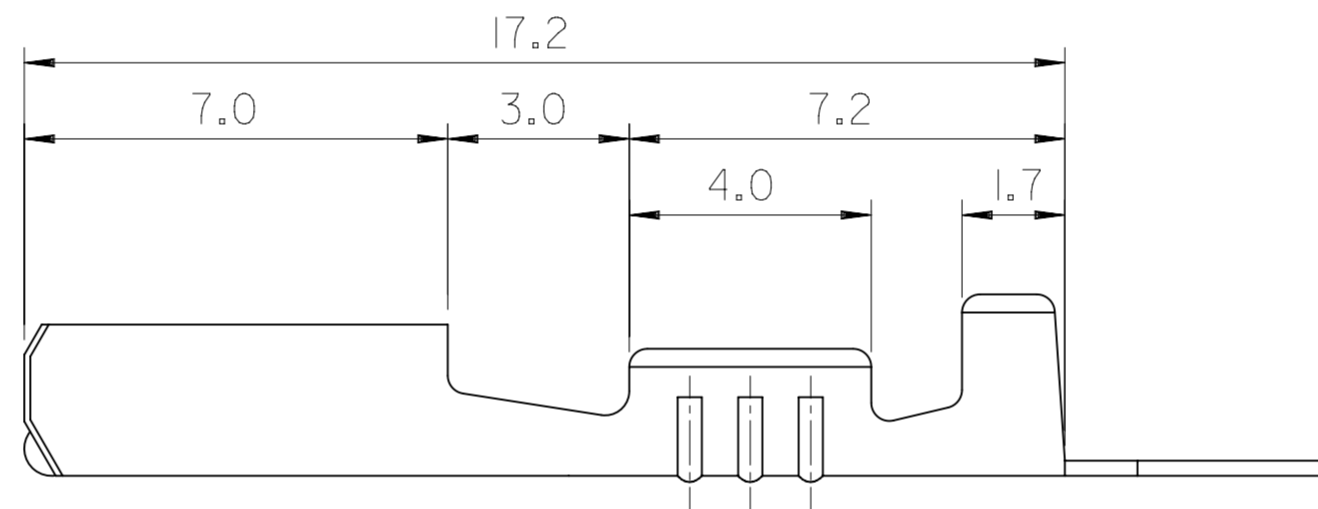
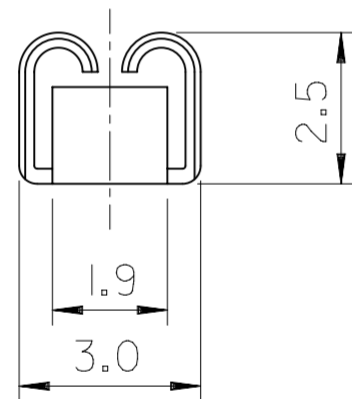


SECTION: A-A"



SECTION: B-B"



NO.	ENG-NO.	TYPE	MATERIAL	WIRE SIZE (mm ²)	DIMENSION			
					W1	H1	W2	H2
1	35768-0120	(S)	COPPER ALLOY	0.3 - 0.5	2.3	2.1	3.4	3.0
2	35768-0220	(L)	COPPER ALLOY	0.85 - 1.25	3.8	3.1	4.0	4.3

NOTE

- MATERIAL: THICK=0.25
1-1)BRASS(35982-5017):35768-0110
1-2)COPPER ALLOY(35981-0005):35768-0120,35768-0220
- FINISH: PRE-TIN PLATED
- RECOMMENDED LENTH OF WIRE STRIP: 5.0-6.0mm

THIS DRAWING CONTAINS INFORMATION THAT IS PROPRIETARY TO MOLEX ELECTRONIC TECHNOLOGIES, LLC AND SHOULD NOT BE USED WITHOUT WRITTEN PERMISSION

DIMENSION UNITS		SCALE		CURRENT REV DESC:				molex					
IN/MM		1:1											
GENERAL TOLERANCES (UNLESS SPECIFIED)				EC NO: 624787				090 SLIP-ON REC. TERMINAL					
				DRWN: RPRABHUM 2019/05/20									
4 PLACES ±				CHK'D: GGA 2019/11/11				PRODUCT CUSTOMER DRAWING					
3 PLACES ±				APPR: GGA 2019/11/11									
2 PLACES ±				INITIAL REVISION:				DOCUMENT NUMBER					
1 PLACE ±				DRWN:				SD-35768-001					
0 PLACES ±				APPR:				DOC TYPE		DOC PART		REVISION	
ANGULAR TOL ± °				THIRD ANGLE PROJECTION		DRAWING		MATERIAL NUMBER		CUSTOMER		SHEET NUMBER	
DRAFT WHERE APPLICABLE MUST REMAIN WITHIN DIMENSIONS				THIRD ANGLE PROJECTION		A2-SIZE		SEE TABLE		GENERAL MARKET		1 OF 1	