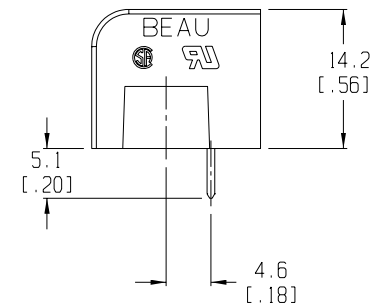
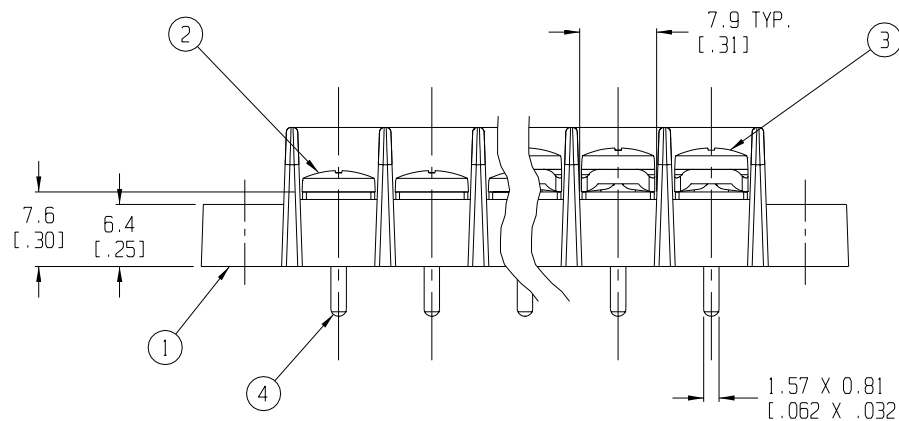
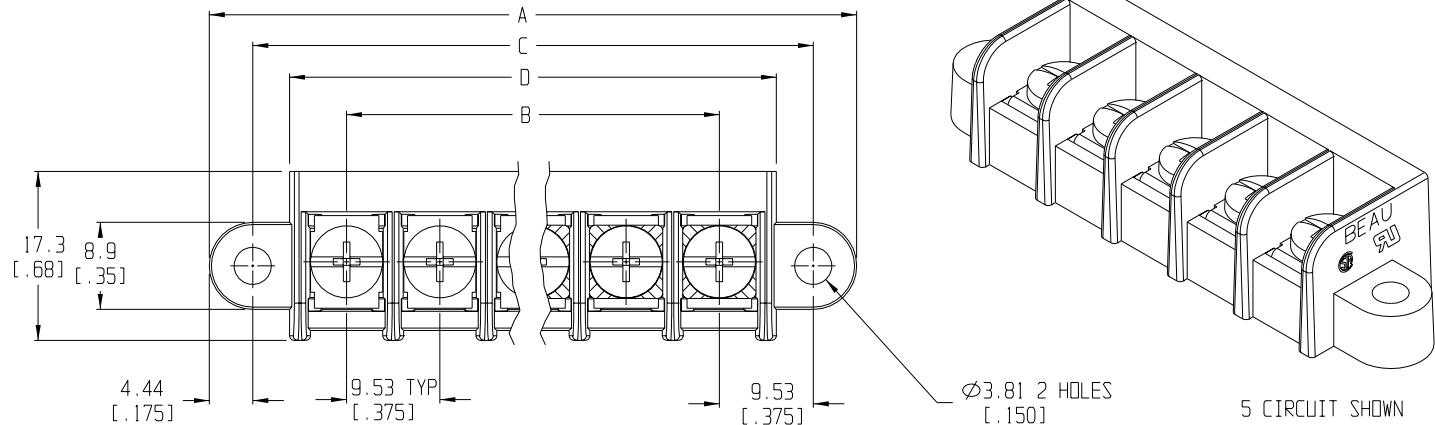


RECOMMENDED PTH PATTERN
SCALE 1:1



NOTES:

1. MATERIAL: SEE TABLE
2. FINISHES: SEE TABLE
3. PRODUCT SPECIFICATION: UL & CSA, 12-24 AWG
4. PACKAGING: NOT REQUIRED
5. MATES WITH: NONE
6. "XX" REFERS TO QTY. OF CIRCUITS
7. LENGTH TABLE SHOWN ON SHEET 2
8. REFER TO SD-38120-001 (-10A THRU -10D AND -11A THRU -11D)
OR SD-38120-002 (-10AT THRU -10DT AND -11AT THRU -11DT)
FOR OPTIONAL IMPRINTING.

| 4 | XX | TERMINAL | BRASS | TIN PLATE |
|------|------|--------------------------|---------------|---------------|
| 3 | XX | SCREW & WASHER (-50 OPT) | STEEL | ZINC CHROMATE |
| 2 | XX | SCREW (STD.) | STEEL | ZINC CHROMATE |
| 1 | 1 | BARRIER TERMINAL STRIP | THERMOPLASTIC | BLACK |
| ITEM | QTY. | DESCRIPTION | MATERIAL | FINISH |

| | | | | | | | | |
|--|--|-----------------|---|--------------|--|--|--|--------------------|
| EC NO. RELEASED DRWN: CLY CHK: APPR: REV A | DESCRIPTION MAJOR CRITICAL SPC S | QUALITY SYMBOLS | GENERAL TOLERANCES: (UNLESS SPECIFIED) | SCALE 2:1 | DESIGN UNITS <input type="checkbox"/> mm <input checked="" type="checkbox"/> INCH | THIRD ANGLE PROJECTION | PROJECT NO. - | I - |
| | | | | | | | DIMENSIONS: <input checked="" type="checkbox"/> mm <input type="checkbox"/> INCH <input type="checkbox"/> mm ONLY | SHT REV |
| | | | | | | | | REVISE ON CAD ONLY |
| | | | | | | | | |
| | | | | | | TITLE: SR BTS, PC TERMINAL | | |
| | | | | | | MATERIAL NO. SEE SHEET 2 | DRAWING NO. SD-38750-001 | SHEET NO. 1 OF 2 |
| | | | | | | THIS DRAWING CONTAINS INFORMATION THAT IS PROPRIETARY TO MOLEX INCORPORATED AND SHOULD NOT BE USED WITHOUT WRITTEN PERMISSION. | | SIZE B |

| | | | | | | | | |
|----|---|---|---|---|---|---|---|---|
| 10 | 9 | 8 | 7 | 5 | 4 | 3 | 2 | 1 |
|----|---|---|---|---|---|---|---|---|

| MATERIAL NO. (STD) | MATERIAL NO. (-50) OPTION | MATERIAL NO. (-10A) OPTION | MATERIAL NO. (-10AT) OPTION | MATERIAL NO. (-50-10AT) OPTION | MATERIAL NO. (-10CT) OPTION | MATERIAL NO. (-50-10DT) OPTION | MATERIAL NO. (-50-11CT) OPTION | MATERIAL NO. (-11DT) OPTION | # OF CIRC. "XX" | "A" | "B" | "C" | "D" |
|--------------------|---------------------------|----------------------------|-----------------------------|--------------------------------|-----------------------------|--------------------------------|--------------------------------|-----------------------------|-----------------|---------------|--------------|---------------|--------------|
| 387506102 | 387507302 | | | 387590014 | | | | | 2 | 37.5 (1.48) | 9.5 (.38) | 28.6 (1.13) | 21.0 (.83) |
| 387506103 | 387507303 | | 387590356 | 387590357 | | | | | 3 | 47.0 (1.85) | 19.1 (.75) | 38.1 (1.50) | 30.5 (1.20) |
| 387506104 | 387507304 | | | | | | | | 4 | 56.5 (2.23) | 28.6 (1.13) | 47.6 (1.88) | 40.0 (1.58) |
| 387506105 | 387507305 | | 387590064 | | | | | | 5 | 66.0 (2.60) | 38.1 (1.50) | 57.2 (2.25) | 49.5 (1.95) |
| 387506106 | 387507306 | | 387590091 | | | | | | 6 | 75.6 (2.98) | 47.6 (1.88) | 66.7 (2.63) | 59.1 (2.33) |
| 387506107 | 387507307 | | | | | | | | 7 | 85.1 (3.35) | 57.2 (2.25) | 76.2 (3.00) | 68.6 (2.70) |
| 387506108 | 387507308 | 387590122 | | 387590119 | | | | | 8 | 94.6 (3.73) | 66.7 (2.63) | 85.7 (3.38) | 78.1 (3.08) |
| 387506109 | 387507309 | | 387590209 | | | | | | 9 | 104.1 (4.10) | 76.2 (3.00) | 95.3 (3.75) | 87.6 (3.45) |
| 387506110 | 387507310 | | 387590143 | 387590142 | | | | | 10 | 113.7 (4.48) | 85.7 (3.38) | 104.8 (4.13) | 97.2 (3.83) |
| 387506111 | 387507311 | | | | | | | | 11 | 123.2 (4.85) | 95.3 (3.75) | 114.3 (4.50) | 106.7 (4.20) |
| 387506112 | 387507312 | | | | | 387590169 | | | 12 | 132.7 (5.23) | 104.8 (4.13) | 123.8 (4.88) | 116.2 (4.58) |
| 387506114 | 387507314 | | | | | | 387590171 | | 13 | 142.2 (5.60) | 114.3 (4.50) | 133.4 (5.25) | 125.7 (4.95) |
| 387506115 | | | | | | | | | 14 | 151.8 (5.98) | 123.8 (4.88) | 142.9 (5.63) | 135.3 (5.33) |
| 387506116 | 387507316 | | | | | 387590180 | | | 15 | 161.3 (6.35) | 133.4 (5.25) | 152.4 (6.00) | 144.8 (5.70) |
| 387506117 | | | | | | | | 387590181 | 16 | 170.8 (6.73) | 142.9 (5.63) | 161.9 (6.38) | 154.3 (6.08) |
| | 387507318 | | | | | | | | 17 | 180.3 (7.10) | 152.4 (6.00) | 171.5 (6.75) | 163.8 (6.45) |
| | | | | | | | | | 18 | 189.9 (7.48) | 161.9 (6.38) | 181.0 (7.13) | 173.4 (6.83) |
| 387506120 | 387507320 | | | | | | | | 19 | 199.4 (7.85) | 171.5 (6.75) | 190.5 (7.50) | 182.9 (7.20) |
| | | | | | | | | | 20 | 208.9 (8.23) | 181.0 (7.13) | 200.0 (7.88) | 192.4 (7.58) |
| | | | | | | | | | 21 | 218.4 (8.60) | 190.5 (7.50) | 209.6 (8.25) | 201.9 (7.95) |
| | | | | | | | | | 22 | 228.0 (8.98) | 200.0 (7.88) | 219.1 (8.63) | 211.5 (8.33) |
| | | | | | | | | | 23 | 237.5 (9.35) | 209.6 (8.25) | 228.6 (9.00) | 221.0 (8.70) |
| | | | | | | | | | 24 | 247.0 (9.73) | 219.1 (8.63) | 238.1 (9.38) | 230.5 (9.08) |
| | | | | | | | | | 25 | 256.5 (10.10) | 228.6 (9.00) | 247.7 (9.75) | 240.0 (9.45) |
| | | | | | | | | | 26 | 266.1 (10.48) | 238.1 (9.38) | 257.2 (10.13) | 249.6 (9.83) |

| | | | | | | | | | | |
|--|---|--|--|------------------------------------|--|--------------------------|----------------------------|--|--------|-----|
| EC NO. SEE SHEET 1 DRAWN: CH'K: APPR: A | DESCRIPTION MAJOR CRITICAL SPC | QUALITY SYMBOLS | GENERAL TOLERANCES: (UNLESS SPECIFIED) | SCALE 2:1 | DESIGN UNITS <input type="checkbox"/> mm <input checked="" type="checkbox"/> INCH | THIRD ANGLE PROJECTION | TITLE: SR BTS, PC TERMINAL | PROJECT NO. - | 2 | - |
| | | 4 PLACES | mm INCH | DRAWN BY & DATE C. YORK 7-29-03 | MATERIAL NO. SEE CHART | DRAWING NO. SD-38750-001 | SHEET NO. 2 OF 2 | DIMENSIONS: <input checked="" type="checkbox"/> mm INCH <input type="checkbox"/> mm INCH <input type="checkbox"/> mm ONLY | SHT | REV |
| | | 3 PLACES | ±.038 ±.005 | CHECKED BY & DATE | | | | REVISE ON CAD ONLY | | |
| | | 2 PLACES | ±.13 ±.01 | APPROVED BY & DATE | MOLEX INCORPORATED | | | | | |
| 1 PLACE | ±.3 | ANGULAR: ±2° | CAD FILENAME 755XX | | | | | | | |
| DRAFT WHERE APPLICABLE MUST REMAIN WITHIN DIMENSIONS | | THIS DRAWING CONTAINS INFORMATION THAT IS PROPRIETARY TO MOLEX INCORPORATED AND SHOULD NOT BE USED WITHOUT WRITTEN PERMISSION. | | | | | | | SIZE B | |