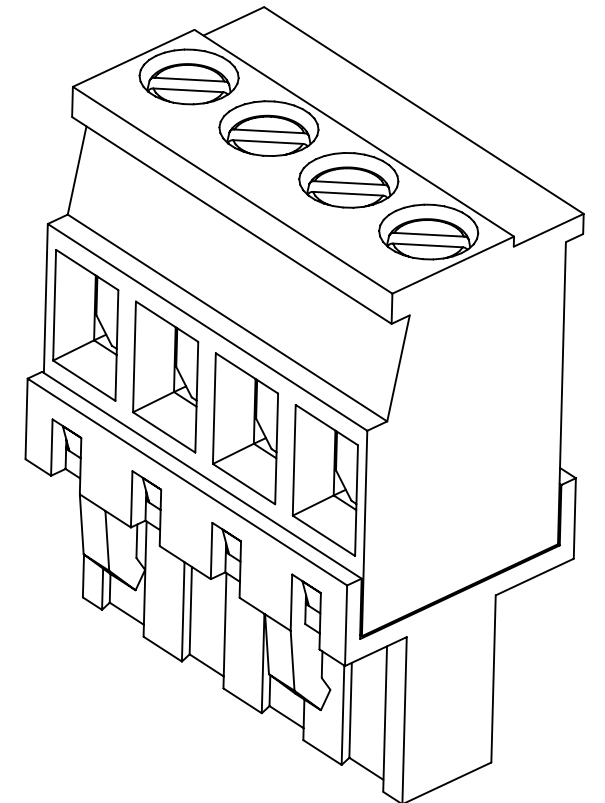
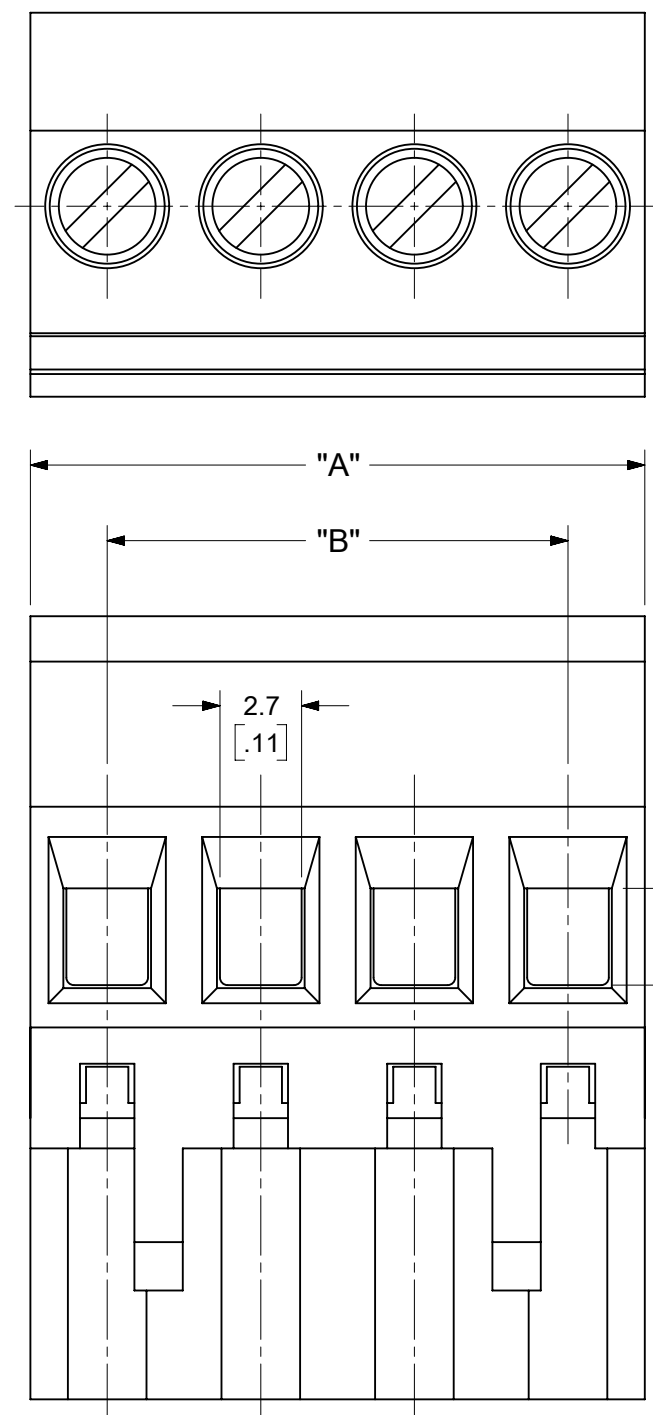
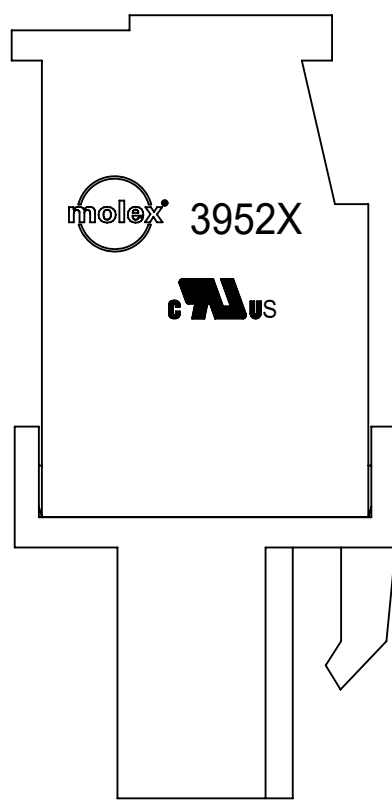
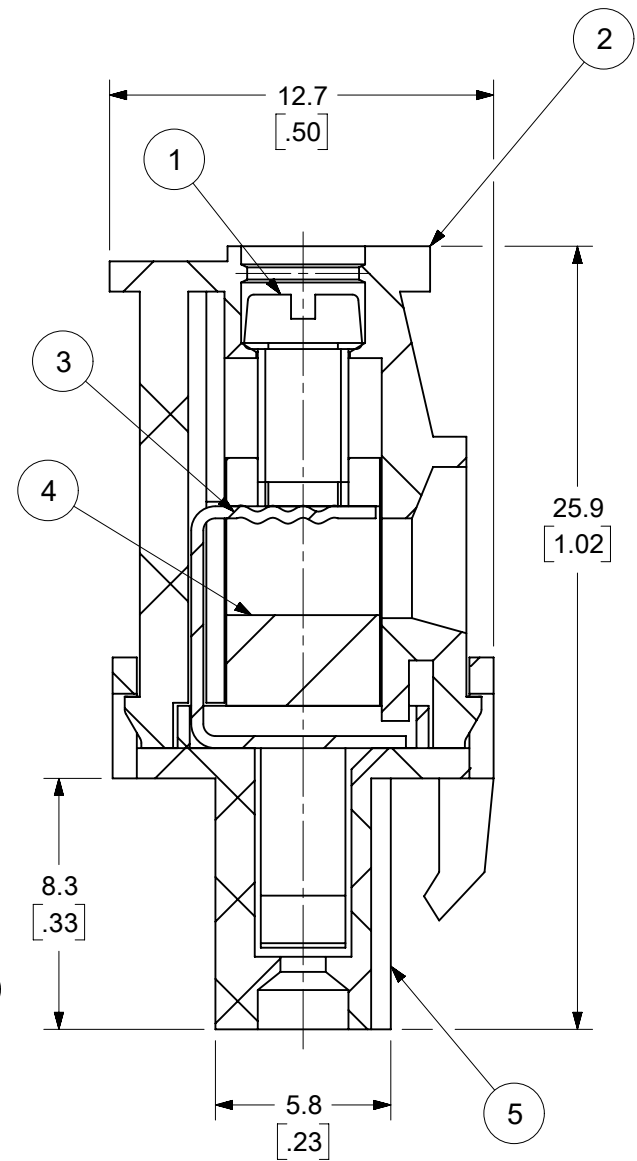


PCB LAYOUT A3



- SPECIFICATIONS:**
- MATERIAL:**
 - (1). M3 CLAMP SCREW: ZINC PLATED STEEL
 - (2). BODY: PA66, UL94-V0
 - (3). TERMINAL: TIN PLATED COPPER ALLOY A3
 - (4). CAGE: NICKEL PLATED BRASS
 - (5). COVER: PA66, UL94-V0
 - WIRE RANGE: 12 - 30 AWG A3
 - ELECTRICAL RATING: 300V, 18A PER UL. A3
 - WIRE STRIP LENGTH: 5.0mm.
 - OPERATING TEMPERATURE: -40°C to +105°C.
 - MAX TORQUE: 5 IN LBS.
 - INSULATION RESISTANCE: DC 500V, 500MΩ.
 - DIELECTRIC WITHSTAND: AC 2500V FOR 1 MINUTE.
 - BREAKDOWN VOLTAGE: 4000V.
 - CONTACT RESISTANCE: <10 mΩ.

TOLERANCES			
MM	TOL	INCH	TOL
0-6	±0.25	0-.24	±.010
>6-30	±0.40	>.24-1.18	±.016
>30-120	±0.50	>1.18-4.76	±.020
>120	±0.80	>4.76	±.031

FUNCTIONAL SYMBOLS		THIS DRAWING CONTAINS INFORMATION THAT IS PROPRIETARY TO MOLEX ELECTRONIC TECHNOLOGIES, LLC AND SHOULD NOT BE USED WITHOUT WRITTEN PERMISSION					
FA = 0	MM/INCH	SCALE	4:1			CURRENT REV DESC: DESCRIPTION "REAR WIRE ENTRY" CHANGED TO "FRONT WIRE ENTRY". ADDED PCB LAYOUT. MODIFIED NOTES. REMOVED CSA LOGO	
FE = 0	GENERAL TOLERANCES (UNLESS SPECIFIED)		EC NO: 719296		5.0MM, EURO PLUG, VERTICAL, FRONT WIRE ENTRY		
FD = 0	MM	INCH	4 PLACES ± --- ± ---	DRWN: ABENJAMINLW 2022/04/13			
DIVISIONAL SYMBOLS		3 PLACES ± --- ± SEE CHART		DRWN: LROTHAUS 2006/01/09	PRODUCT CUSTOMER DRAWING		
		2 PLACES ± SEE CHART ± SEE CHART		CHK'D: DACHAMMER 2022/08/25			
		1 PLACE ± SEE CHART ± ---		APPR: JFMURPHY 2022/09/23	SD-39523-001		
		0 PLACES ± --- ± ---		INITIAL REVISION: 2006/01/09			
		ANGULAR TOL ± ---		APPR: JPAWLICK 2006/01/10	DOC TYPE DOC PART REVISION		
DRAFT WHERE APPLICABLE MUST REMAIN WITHIN DIMENSIONS		THIRD ANGLE PROJECTION	DRAWING	SERIES	MATERIAL NUMBER	CUSTOMER	SHEET NUMBER
			B-SIZE	39523	SEE SHEET-2	GENERAL MARKET	1 OF 2

F

F

A3

DESCRIPTION	CIRCUIT SIZE	MATERIAL NUMBERS												DIMENSIONAL INFORMATION			
		BLACK						GREEN									
		100% TIN			30 u" GOLD			100% TIN			30 u" GOLD			DIM. "A"		DIM. "B"	
		PRINTING OPTIONS			PRINTING OPTIONS			PRINTING OPTIONS			PRINTING OPTIONS			mm	inch	mm	inch
		None	10AV	11AV	None	10AV	11AV	None	10AV	11AV	None	10AV	11AV				
5.0MM, EURO PLUG, VERTICAL, FRONT WIRE ENTRY	2	395233002	395233302	395233402	395233502	395233802	395233902	395238002	395238302	395238402	395238502	395238802	395238902	10.00	.394	5.00	.197
5.0MM, EURO PLUG, VERTICAL, FRONT WIRE ENTRY	3	395233003	395233303	395233403	395233503	395233803	395233903	395238003	395238303	395238403	395238503	395238803	395238903	15.00	.591	10.00	.394
5.0MM, EURO PLUG, VERTICAL, FRONT WIRE ENTRY	4	395233004	395233304	395233404	395233504	395233804	395233904	395238004	395238304	395238404	395238504	395238804	395238904	20.00	.787	15.00	.591
5.0MM, EURO PLUG, VERTICAL, FRONT WIRE ENTRY	5	395233005	395233305	395233405	395233505	395233805	395233905	395238005	395238305	395238405	395238505	395238805	395238905	25.00	.984	20.00	.787
5.0MM, EURO PLUG, VERTICAL, FRONT WIRE ENTRY	6	395233006	395233306	395233406	395233506	395233806	395233906	395238006	395238306	395238406	395238506	395238806	395238906	30.00	1.181	25.00	.984
5.0MM, EURO PLUG, VERTICAL, FRONT WIRE ENTRY	7	395233007	395233307	395233407	395233507	395233807	395233907	395238007	395238307	395238407	395238507	395238807	395238907	35.00	1.378	30.00	1.181
5.0MM, EURO PLUG, VERTICAL, FRONT WIRE ENTRY	8	395233008	395233308	395233408	395233508	395233808	395233908	395238008	395238308	395238408	395238508	395238808	395238908	40.00	1.575	35.00	1.378
5.0MM, EURO PLUG, VERTICAL, FRONT WIRE ENTRY	9	395233009	395233309	395233409	395233509	395233809	395233909	395238009	395238309	395238409	395238509	395238809	395238909	45.00	1.772	40.00	1.575
5.0MM, EURO PLUG, VERTICAL, FRONT WIRE ENTRY	10	395233010	395233310	395233410	395233510	395233810	395233910	395238010	395238310	395238410	395238510	395238810	395238910	50.00	1.969	45.00	1.772
5.0MM, EURO PLUG, VERTICAL, FRONT WIRE ENTRY	11	395233011	395233311	395233411	395233511	395233811	395233911	395238011	395238311	395238411	395238511	395238811	395238911	55.00	2.165	50.00	1.969
5.0MM, EURO PLUG, VERTICAL, FRONT WIRE ENTRY	12	395233012	395233312	395233412	395233512	395233812	395233912	395238012	395238312	395238412	395238512	395238812	395238912	60.00	2.362	55.00	2.165
5.0MM, EURO PLUG, VERTICAL, FRONT WIRE ENTRY	13	395233013	395233313	395233413	395233513	395233813	395233913	395238013	395238313	395238413	395238513	395238813	395238913	65.00	2.559	60.00	2.362
5.0MM, EURO PLUG, VERTICAL, FRONT WIRE ENTRY	14	395233014	395233314	395233414	395233514	395233814	395233914	395238014	395238314	395238414	395238514	395238814	395238914	70.00	2.756	65.00	2.559
5.0MM, EURO PLUG, VERTICAL, FRONT WIRE ENTRY	15	395233015	395233315	395233415	395233515	395233815	395233915	395238015	395238315	395238415	395238515	395238815	395238915	75.00	2.953	70.00	2.756
5.0MM, EURO PLUG, VERTICAL, FRONT WIRE ENTRY	16	395233016	395233316	395233416	395233516	395233816	395233916	395238016	395238316	395238416	395238516	395238816	395238916	80.00	3.150	75.00	2.953
5.0MM, EURO PLUG, VERTICAL, FRONT WIRE ENTRY	17	395233017	395233317	395233417	395233517	395233817	395233917	395238017	395238317	395238417	395238517	395238817	395238917	85.00	3.346	80.00	3.150
5.0MM, EURO PLUG, VERTICAL, FRONT WIRE ENTRY	18	395233018	395233318	395233418	395233518	395233818	395233918	395238018	395238318	395238418	395238518	395238818	395238918	90.00	3.543	85.00	3.346
5.0MM, EURO PLUG, VERTICAL, FRONT WIRE ENTRY	19	395233019	395233319	395233419	395233519	395233819	395233919	395238019	395238319	395238419	395238519	395238819	395238919	95.00	3.740	90.00	3.543
5.0MM, EURO PLUG, VERTICAL, FRONT WIRE ENTRY	20	395233020	395233320	395233420	395233520	395233820	395233920	395238020	395238320	395238420	395238520	395238820	395238920	100.00	3.937	95.00	3.740
5.0MM, EURO PLUG, VERTICAL, FRONT WIRE ENTRY	21	395233021	395233321	395233421	395233521	395233821	395233921	395238021	395238321	395238421	395238521	395238821	395238921	105.00	4.134	100.00	3.937
5.0MM, EURO PLUG, VERTICAL, FRONT WIRE ENTRY	22	395233022	395233322	395233422	395233522	395233822	395233922	395238022	395238322	395238422	395238522	395238822	395238922	110.00	4.331	105.00	4.134
5.0MM, EURO PLUG, VERTICAL, FRONT WIRE ENTRY	23	395233023	395233323	395233423	395233523	395233823	395233923	395238023	395238323	395238423	395238523	395238823	395238923	115.00	4.528	110.00	4.331
5.0MM, EURO PLUG, VERTICAL, FRONT WIRE ENTRY	24	395233024	395233324	395233424	395233524	395233824	395233924	395238024	395238324	395238424	395238524	395238824	395238924	120.00	4.724	115.00	4.528

D

D

C

C


B

B

A

A

TOLERANCES			
MM	TOL	INCH	TOL
0-6	±0.25	0-.24	±.010
>6-30	±0.40	.24-1.18	±.016
>30-120	±0.50	1.18-4.76	±.020
>120	±0.80	>4.76	±.031

FUNCTIONAL SYMBOLS	THIS DRAWING CONTAINS INFORMATION THAT IS PROPRIETARY TO MOLEX ELECTRONIC TECHNOLOGIES, LLC AND SHOULD NOT BE USED WITHOUT WRITTEN PERMISSION			
DIMENSION UNITS: MM/INCH SCALE: 1:1 GENERAL TOLERANCES (UNLESS SPECIFIED): 4 PLACES ± --- ± --- 3 PLACES ± --- ± CHART 2 PLACES ± CHART ± CHART 1 PLACE ± CHART ± --- 0 PLACES ± --- ± --- DIVISIONAL SYMBOLS: ANGULAR TOL ± ---	CURRENT REV DESC: DESCRIPTION "REAR WIRE ENTRY" CHANGED TO "FRONT WIRE ENTRY". ADDED PCB LAYOUT. MODIFIED NOTES. REMOVED CSA LOGO EC NO: 719296 DRWN: ABENJAMINLW CHK'D: DACHAMMER APPR: JFMURPHY INITIAL REVISION: DRWN: LROTHAUS APPR: JPAWLICK	2022/04/13 2022/08/25 2022/09/23 2006/01/09 2006/01/10		
DRAFT WHERE APPLICABLE MUST REMAIN WITHIN DIMENSIONS THIRD ANGLE PROJECTION DRAWING: B-SIZE SERIES: 39523 MATERIAL NUMBER: SEE CHART CUSTOMER: GENERAL MARKET SHEET NUMBER: 2 OF 2				