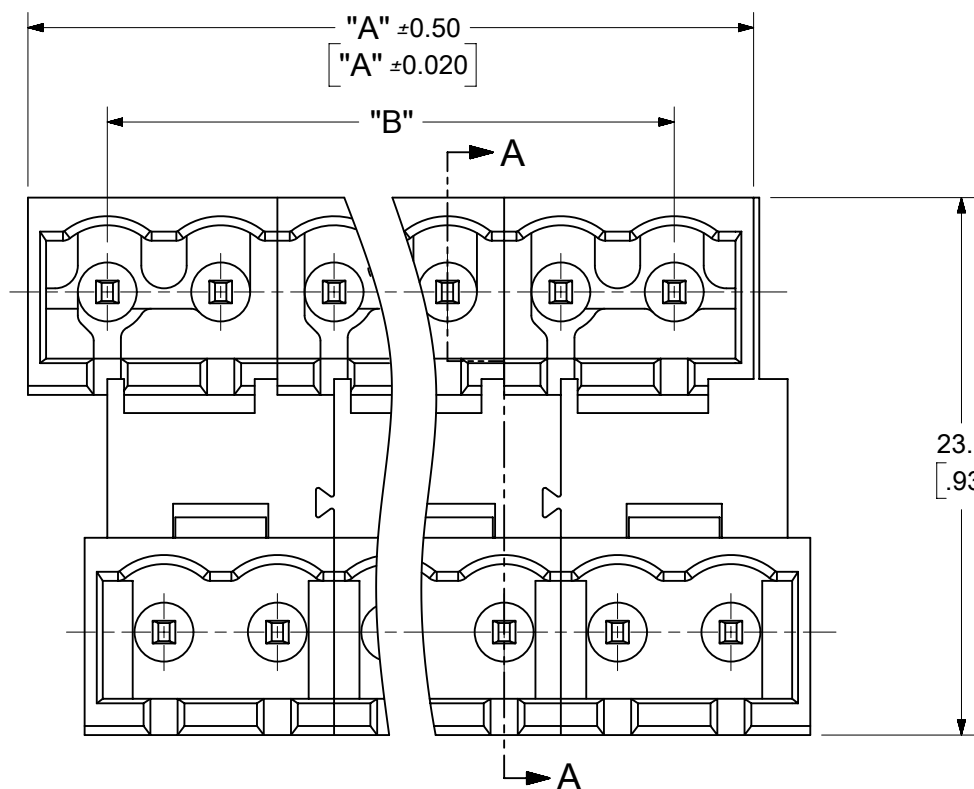
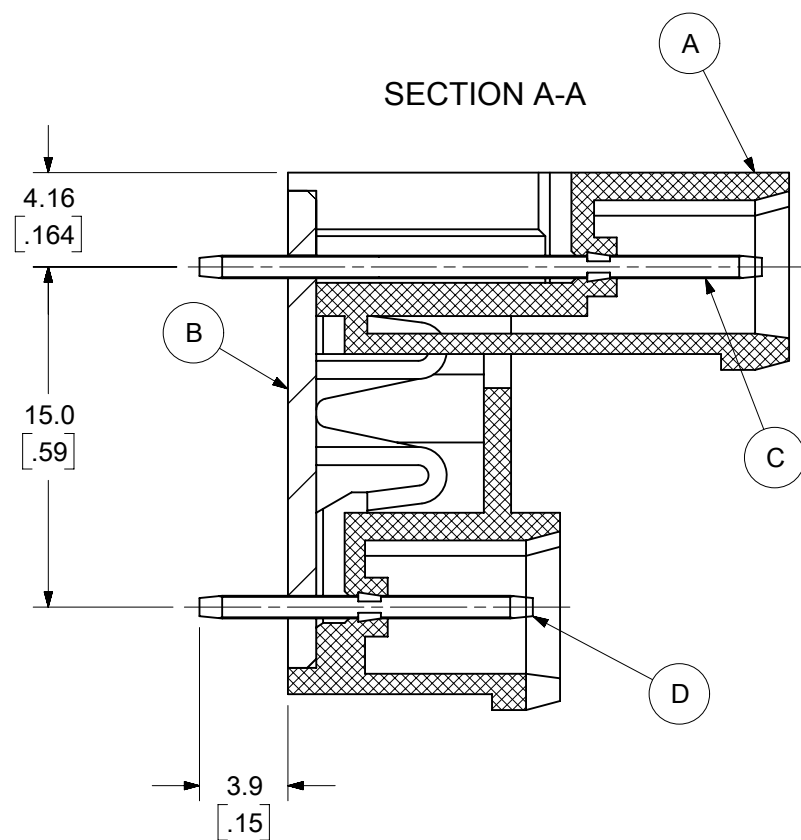


SECTION A-A

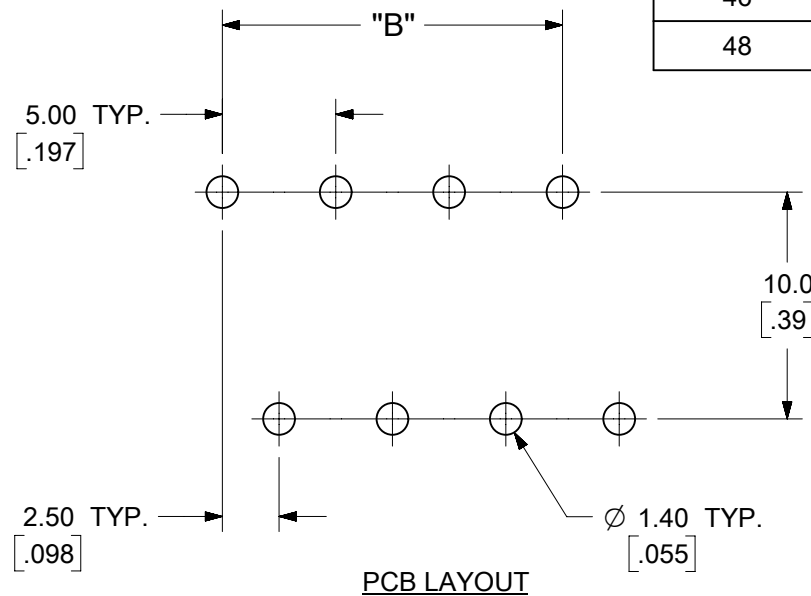


SPECIFICATIONS:

1. MATERIAL:
 - (A) BODY: PA66 (UL 94V-0)
 - (B) COVER: PBT (UL 94V-0)
 - (C) LONG TERMINAL: BRASS
 - (D) SHORT TERMINAL: BRASS
2. ELECTRICAL RATING: 300V, 15A
3. DIELECTRIC WITHSTAND: AC 2500V FOR 1 MINUTE
4. BREAKDOWN VOLTAGE: 4000V
5. INSULATION RESISTANCE: DC 1000V, 1000 MEGOHMS
6. OPERATING TEMPERATURE: -40°C TO +105°C
7. NUMBER OF CIRCUIT POSITIONS AVAILABLE= 4
THROUGH 48, EVEN NUMBERED CIRCUIT SIZES ONLY
8. ALL COMPONENTS ARE ROHS COMPLIANT
9. DIMS SHOWN ARE FOR REFERENCE ONLY

SYMBOLS	THIS DRAWING CONTAINS INFORMATION THAT IS PROPRIETARY TO MOLEX ELECTRONIC TECHNOLOGIES, LLC AND SHOULD NOT BE USED WITHOUT WRITTEN PERMISSION		
	DIMENSION UNITS	SCALE	
▽ = 0	MM/INCH	3:1	
▽ = 0	GENERAL TOLERANCES (UNLESS SPECIFIED)		
▽ = 0		MM	INCH
▽ = 0	4 PLACES ±	---	---
▽ = 0	3 PLACES ±	---	±.005
▽ = 0	2 PLACES ±	0.13	±.01
▽ = 0	1 PLACE ±	0.3	---
▽ = 0	0 PLACES ±	---	---
▽ = 0	ANGULAR TOL	± 2°	
▽ = 0	DRAFT WHERE APPLICABLE	THIRD ANGLE PROJECTION	
▽ = 0	MUST REMAIN WITHIN DIMENSIONS	DRAWING	SERIES
		B-SIZE	39528
		CURRENT REV DESC: MIGRATION TO ECTR/NX	DOCUMENT NUMBER
		EC NO: 620717	SD-39528-004
		DRWN: ABENJAMINLW 2019/07/12	DOC TYPE
		CHK'D: DACHAMMER 2019/07/16	PSD
		APPR: JFMURPHY 2019/08/02	DOC PART
		INITIAL REVISION:	001
		DRWN: CYORK 2006/07/25	REVISION
		APPR: JPAWLICK 2006/07/26	A1
		MATERIAL NUMBER	SHEET NUMBER
		SEE SHEET-2	1 OF 2
		CUSTOMER	
		GENERAL MARKET	

CIRCUIT SIZE	MATERIAL NUMBERS				DIMENSIONAL INFORMATION			
	BLACK		GREEN		DIM. "A"		DIM. "B"	
	100% TIN	30 u" GOLD	100% TIN	30 u" GOLD	mm	inch	mm	inch
4	395283004	395283504	395288004	395288504	12.00	.472	5.00	.197
6	395283006	395283506	395288006	395288506	17.00	.669	10.00	.394
8	395283008	395283508	395288008	395288508	22.00	.866	15.00	.591
10	395283010	395283510	395288010	395288510	27.00	1.063	20.00	.787
12	395283012	395283512	395288012	395288512	32.00	1.260	25.00	.984
14	395283014	395283514	395288014	395288514	37.00	1.457	30.00	1.181
16	395283016	395283516	395288016	395288516	42.00	1.654	35.00	1.378
18	395283018	395283518	395288018	395288518	47.00	1.850	40.00	1.575
20	395283020	395283520	395288020	395288520	52.00	2.047	45.00	1.772
22	395283022	395283522	395288022	395288522	57.00	2.244	50.00	1.969
24	395283024	395283524	395288024	395288524	62.00	2.441	55.00	2.165
26	395283026	395283526	395288026	395288526	67.00	2.638	60.00	2.362
28	395283028	395283528	395288028	395288528	72.00	2.835	65.00	2.559
30	395283030	395283530	395288030	395288530	77.00	3.031	70.00	2.756
32	395283032	395283532	395288032	395288532	82.00	3.228	75.00	2.953
34	395283034	395283534	395288034	395288534	87.00	3.425	80.00	3.150
36	395283036	395283536	395288036	395288536	92.00	3.622	85.00	3.346
38	395283038	395283538	395288038	395288538	97.00	3.819	90.00	3.543
40	395283040	395283540	395288040	395288540	102.00	4.016	95.00	3.740
42	395283042	395283542	395288042	395288542	107.00	4.213	100.00	3.937
44	395283044	395283544	395288044	395288544	112.00	4.409	105.00	4.134
46	395283046	395283546	395288046	395288546	117.00	4.606	110.00	4.331
48	395283048	395283548	395288048	395288548	122.00	4.803	115.00	4.528



SYMBOLS										THIS DRAWING CONTAINS INFORMATION THAT IS PROPRIETARY TO MOLEX ELECTRONIC TECHNOLOGIES, LLC AND SHOULD NOT BE USED WITHOUT WRITTEN PERMISSION									
DIMENSION UNITS					SCALE					CURRENT REV DESC: MIGRATION TO ECTR/NX									
MM/INCH					3:1														
GENERAL TOLERANCES (UNLESS SPECIFIED)										EC NO: 620717					5.0MM, EURO DUAL HEADER, VERTICAL, CLOSED END, STACKABLE				
										DRWN: ABENJAMINLW 2019/07/12									
										CHK'D: DACHAMMER 2019/07/16									
										APPR: JFMURPHY 2019/08/02									
										INITIAL REVISION:					DOCUMENT NUMBER				
										DRWN: CYORK 2006/07/25					SD-39528-004				
										APPR: JPAWLICK 2006/07/26					PSD 001 A1				
DRAFT WHERE APPLICABLE MUST REMAIN WITHIN DIMENSIONS										THIRD ANGLE PROJECTION					DRAWING				
										B-SIZE					SERIES				
										39528					MATERIAL NUMBER				
										SEE TABLE					CUSTOMER				
										GENERAL MARKET					SHEET NUMBER				
										2 OF 2									