



# PRODUCT SPECIFICATION

42400-\*\*\*\* HOUSING / 41422-3\* TERMINAL ASSEMBLY

1.0 SCOPE:

THIS SPECIFICATION COVERS A POLARIZED FOUR CIRCUIT CONNECTOR WITH TERMINAL POCKETS ON .219/(5.56), .219/(5.56) THEN .379/(9.63) CENTERLINE SPACING. THE TERMINALS ARE TIN PLATED AND TERMINATED WITH 18 TO 14 AWG WIRE USING CRIMP TECHNOLOGY. THIS MOLEX CONNECTOR MATES WITH .250/(6.35) X .032/(.81) MALE TAB TERMINALS IN CONNECTORS SUPPLIED BY THE END USER.

2.0 PRODUCT DESCRIPTION:

2.1 DESCRIPTION AND NUMBER

PRODUCT NAME	PART NO.
CONNECTOR HOUSING, 4 CIRCUIT	006-02-*04*
TERMINAL, PUSH-ON, CRIMP	040-02-1602

2.2 DIMENSIONS, MATERIALS AND PLATING.

SEE THE SALES DRAWINGS LISTED BELOW FOR INFORMATION.

SD-42400-****	HOUSING
SD-42422-3*	TERMINAL

3.0 RECOGNIZED AGENCY APPROVAL:

- 3.1 UNDERWRITERS LABORATORIES FILE NO. E29179
- 3.2 CANADIAN STANDARDS ASSOCIATION FILE NO. LRI9980

4.0 RATINGS:

4.1 VOLTAGE: 250 VOLTS AC

4.2 CURRENT AND APPLICABLE WIRES:

AWG	CURRENT THROUGH CIRCUITS	AMPS	OUTSIDE INSULATION DIA.
14	1,2,3, & 4	19	.138/(3.50) NOM.
16	1,2,3, & 4	15	.123/(3.12) NOM.
18	1,2,3, & 4	13	.110/(2.79) NOM.
14	1 & 4	23	.138/(3.50) NOM.
16	1 & 4	20	.123/(3.12) NOM.
18	1 & 4	18	.110/(2.79) NOM.

4.3 TEMPERATURE:

OPERATING: 0°C TO 75°C (32°F TO 167°F)  
NON OPERATING: -40°C TO 105°C (-40°F TO 221°F)

DRWG. NO. PS-42400-9999

DRWG. NO. PS-42400-9999

REV.
SHT.

A	RELEASED ECR U50921 3-10-95 SAMIEC
LTR.	REVISIONS

FILE NAME PS42400X1	= 0  = 0	REVISE ONLY ON CAD SYSTEM	REV.	A
THIS DRAWING CONTAINS INFORMATION THAT IS PROPRIETARY TO MOLEX INC. AND SHOULD NOT BE USED WITHOUT WRITTEN PERMISSION.			SHT.	1 OF 2



# PRODUCT SPECIFICATION

42400-\*\*\*\* HOUSING / 41422-3\* TERMINAL ASSEMBLY

## 5.0 PERFORMANCE, MECHANICAL:

ITEM	TEST CONDITION	RESULTS
SINGLE CIRCUIT MATE	INSERT AND WITHDRAW AT A RATE OF $1 \pm \frac{1}{4}$ INCH/ (25 ± 6 mm) PER MINUTE	5.9 LBS. AVERAGE (FIRST INSERTION)
SINGLE CIRCUIT UNMATE	INSERT AND WITHDRAW AT A RATE OF $1 \pm \frac{1}{4}$ INCH/ (25 ± 6 mm) PER MINUTE	4.8 LBS. AVERAGE (FIFTH WITHDRAWAL)

## 6.0 PACKAGING:

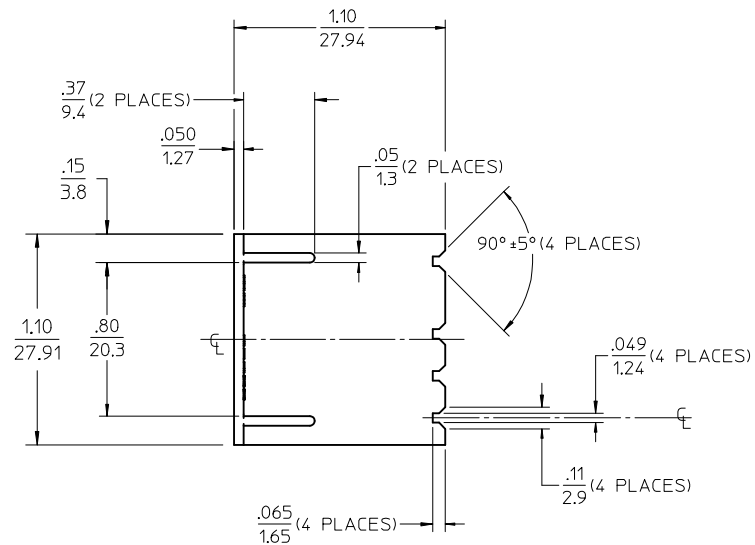
PARTS SHALL BE PACKAGED TO PROTECT AGAINST DAMAGE DURING HANDLING, TRANSIT AND STORAGE.

DRWG. NO. PS-42400-9999

DRWG. NO. PS-42400-9999

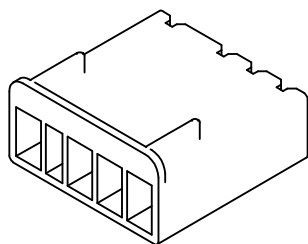
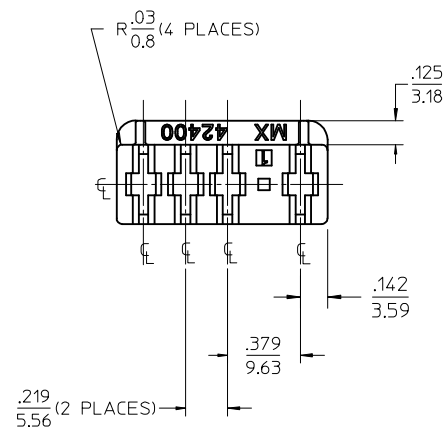
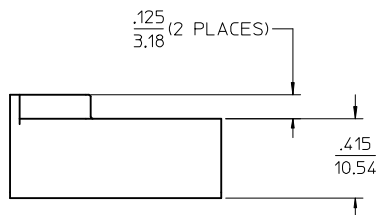
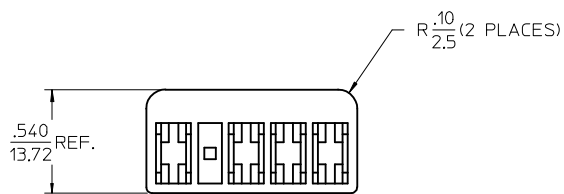
REV.
SHT.

FILE NAME PS42400X2	= 0	= 0	REVISE ONLY ON CAD SYSTEM	REV.	A
	THIS DRAWING CONTAINS INFORMATION THAT IS PROPRIETARY TO MOLEX INC. AND SHOULD NOT BE USED WITHOUT WRITTEN PERMISSION.			SHT.	2



NOTES:

1. MATERIAL: SEE SHEET 3
2. FINISH: NONE
3. PRODUCT SPECIFICATION: NONE
4. PACKAGING PER PK-42400-001
5. HOUSING ACCEPTS 41422 SERIES .250 FEMALE CRIMP TERMINALS AND MATES WITH .250/6.35 WIDE, .31/7.9 LONG, .032/0.81 THICK SPADE TERMINALS.
6. SEE SHEET 3 FOR 4-CKT. OPTIONS AND PART NUMBERS.

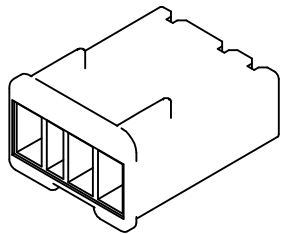
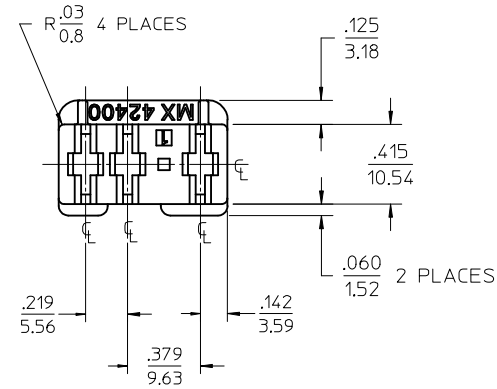
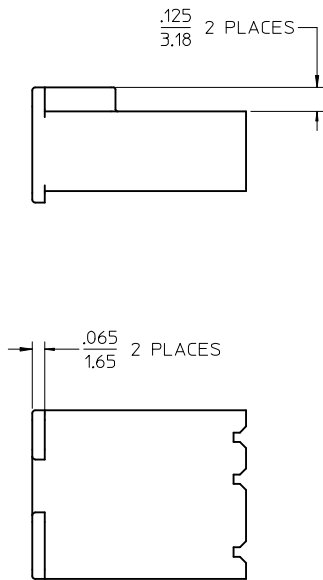
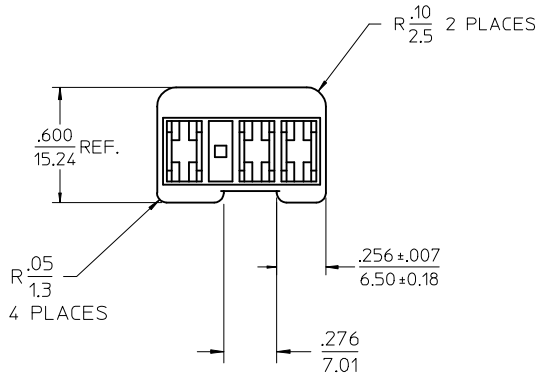
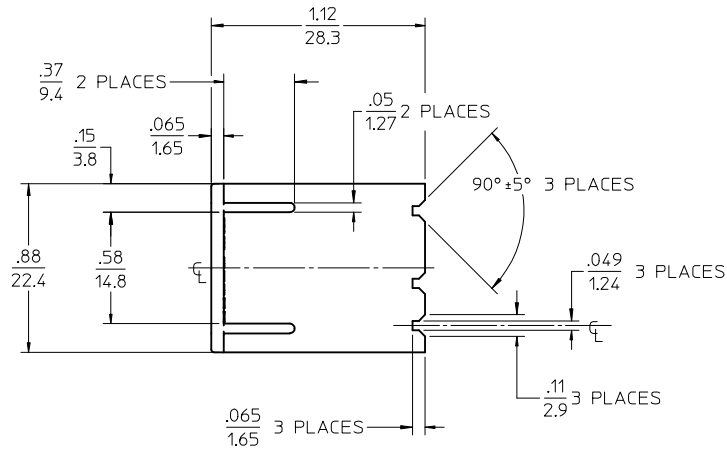


4-CKT HOUSING

MODIFY 3-CKT VER. EC NO: UCP2009-3090 DRWN: BWIRKUS 2009/06/22 CHKD: 2009/06/22 APPR: BWIRKUS 2009/07/28	QUALITY SYMBOLS ▽=0 ▽=0	GENERAL TOLERANCES (UNLESS SPECIFIED)		DIMENSION STYLE IN/MM	SCALE 2:1	DESIGN UNITS INCH	THIRD ANGLE PROJECTION
		4 PLACES ± --- ± --- 3 PLACES ± --- ± .005 2 PLACES ± 0.13 ± .010 1 PLACE ± 0.25 ± --- ANGULAR ± 1/2°	DRAWN BY B. WIRKUS DATE 9-4-2008	CHECKED BY B. WIRKUS DATE 9-4-2008	APPROVED BY A. PATEL DATE 9-5-2008	TITLE POWER RECEPTACLE HOUSING 3 & 4 CKT; DUAL FLANGE FOR .250 FEM. FLAT BLADE	MOLEX MOLEX INCORPORATED
B1	DRAFT WHERE APPLICABLE MUST REMAIN WITHIN DIMENSIONS	SEE SHEET 3		THIS DRAWING CONTAINS INFORMATION THAT IS PROPRIETARY TO MOLEX INCORPORATED AND SHOULD NOT BE USED WITHOUT WRITTEN PERMISSION			

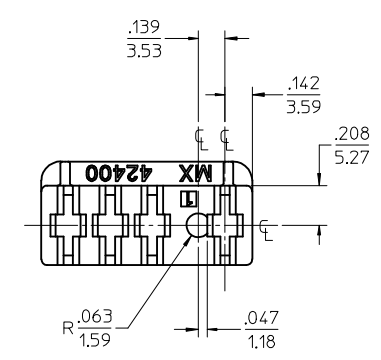
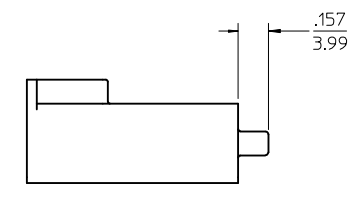
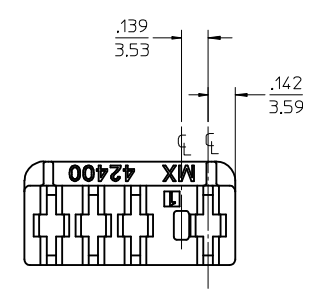
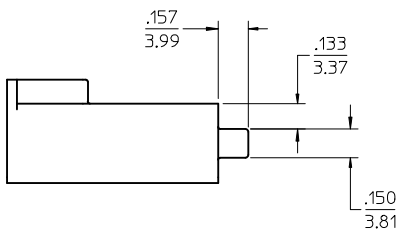
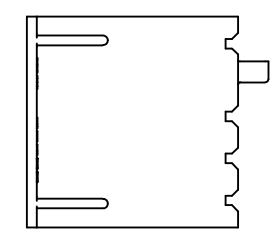
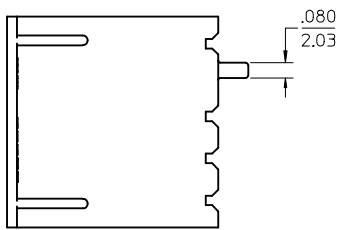
NOTES:

1. MATERIAL: PA6 (NYLON), UL94V-0, BLACK
2. FINISH: NONE
3. PRODUCT SPECIFICATION: NONE
4. PACKAGING PER PK-42400-01
5. HOUSING ACCEPTS 41422 SERIES .250 FEMALE CRIMP TERMINALS AND MATES WITH .250/6.35 WIDE, .31/.79 LONG, .032/0.81 THICK SPADE TERMINALS.
6. SEE SHEET 3 FOR PART NUMBER AND DESCRIPTION.



3-CKT. HOUSING

ADD 2ND FLANGE EC NO: UCP2009-3090 DRWN: BWIRKUS 2009/06/22 CHKD: 2009/06/22 APPR: BWIRKUS 2009/07/28	QUALITY SYMBOLS ▽=0 ▽=0	GENERAL TOLERANCES (UNLESS SPECIFIED)		DIMENSION STYLE IN/MM	SCALE 2:1	DESIGN UNITS INCH	THIRD ANGLE PROJECTION		
		4 PLACES ± --- ± ---	3 PLACES ± --- ± .005	2 PLACES ± 0.13 ± .010	1 PLACE ± 0.25 ± ---	DRAWN BY B. WIRKUS	DATE 9-4-2008	TITLE POWER RECEPTACLE HOUSING 3 & 4 CKT; DUAL FLANGE FOR .250 FEM. FLAT BLADE	
		ANGULAR ± 1/2°		DRAFT WHERE APPLICABLE MUST REMAIN WITHIN DIMENSIONS		CHECKED BY B. WIRKUS	DATE 9-4-2008	APPROVED BY A. PATEL	
		MATERIAL NO. 424003001		DOCUMENT NO. SD-42400-001		SHEET NO. 2 OF 3		MOLEX MOLEX INCORPORATED	



42400-100\* SQUARE PEG OPTION

42400-200\* ROUND PEG OPTION

ENG. NUMBER	MATERIAL NO.	NO. OF CKTS.	MATERIAL	COLOR	POLARIZING PEG
42400-0001	006-02-3042	4	PA (NYLON), UL94V-2	NATURAL	NO PEG
42400-0003	424000003	4	PA (NYLON), UL94V-0	WHITE	NO PEG
42400-0004	424000004	4	PA (NYLON), UL94V-0	BLACK	NO PEG
42400-1003	424001003	4	PA (NYLON), UL94V-0	WHITE	SQUARE PEG
42400-1004	424001004	4	PA (NYLON), UL94V-0	BLACK	SQUARE PEG
42400-2001	424002001	4	PA (NYLON), UL94V-2	NATURAL	ROUND PEG
42400-2003	424002003	4	PA (NYLON), UL94V-0	WHITE	ROUND PEG
42400-2004	424002004	4	PA (NYLON), UL94V-0	BLACK	ROUND PEG
42400-3001	424003001	3	PA (NYLON), UL94V-0	BLACK	NO PEG

MODIFY 3-CKT VER EC NO: UCP2009-3090 DRWN: BWIRKUS 2009/06/22 CHKD: 2009/06/22 APPR: BWIRKUS 2009/07/28 REV B1	QUALITY SYMBOLS ▽=0 ▽=0	GENERAL TOLERANCES (UNLESS SPECIFIED) <table border="1"> <thead> <tr> <th></th> <th>mm</th> <th>INCH</th> </tr> </thead> <tbody> <tr> <td>4 PLACES ±</td> <td>---</td> <td>± ---</td> </tr> <tr> <td>3 PLACES ±</td> <td>---</td> <td>± .005</td> </tr> <tr> <td>2 PLACES ±</td> <td>0.13</td> <td>± .010</td> </tr> <tr> <td>1 PLACE ±</td> <td>0.25</td> <td>± ---</td> </tr> </tbody> </table> ANGULAR ±1/2°		mm	INCH	4 PLACES ±	---	± ---	3 PLACES ±	---	± .005	2 PLACES ±	0.13	± .010	1 PLACE ±	0.25	± ---	DIMENSION STYLE IN/MM	SCALE 2:1	DESIGN UNITS INCH	THIRD ANGLE PROJECTION
		mm	INCH																		
	4 PLACES ±	---	± ---																		
	3 PLACES ±	---	± .005																		
2 PLACES ±	0.13	± .010																			
1 PLACE ±	0.25	± ---																			
DRAWN BY B. WIRKUS	DATE 9-4-2008	TITLE POWER RECEPTACLE HOUSING 3 & 4 CKT; DUAL FLANGE FOR .250 FEM. FLAT BLADE		MOLEX MOLEX INCORPORATED		SHEET NO. 3 OF 3															
CHECKED BY B. WIRKUS	DATE 9-4-2008	APPROVED BY A. PATEL		DATE 9-5-2008	DOCUMENT NO. SD-42400-001																
DRAFT WHERE APPLICABLE MUST REMAIN WITHIN DIMENSIONS		SEE CHART		THIS DRAWING CONTAINS INFORMATION THAT IS PROPRIETARY TO MOLEX INCORPORATED AND SHOULD NOT BE USED WITHOUT WRITTEN PERMISSION																	