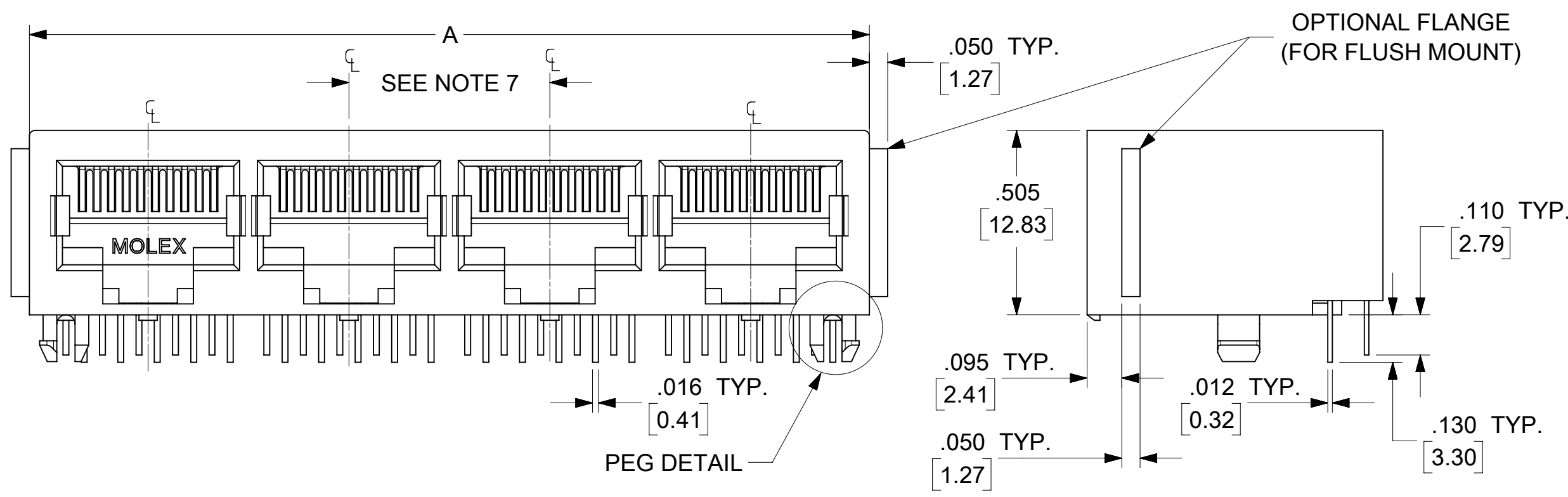


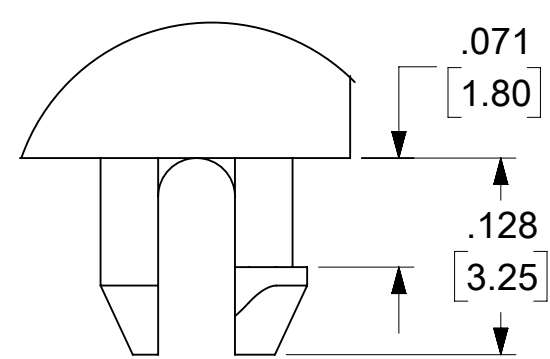
NOTES:

- 1) MATERIAL:
HOUSING: GLASS FILLED NYLON, UL94V-0, COLOR: BLACK
INSULATOR: GLASS FILLED NYLON, UL94V-0, COLOR: BLACK
TERMINALS: PHOSPHOR BRONZE: .012/ 0.30 THICK
- 2) FINISH:
TERMINALS:
SELECT GOLD IN CONTACT AREA: 50 MICROINCHES/ 1.27 MICROMETERS MIN.,
*SELECT TIN IN PC TAIL AREA: 100 MICROINCHES/ 2.54 MICROMETERS MIN.,
WITH OVERALL NICKEL UNDERPLATE: 50 MICROINCHES/ 1.27 MICROMETERS MIN.
*THE PRIMARY SHIPPING CARTON WILL BE LABELED "COMPLIANT TO RoHS DIRECTIVE 2002/95/EC AND ELV ANNEX II OF DIRECTIVE 2000/53/EC".
CARTONS WITHOUT THIS LABEL MAY CONTAIN PRODUCT WITH TIN-LEAD IN THE PC TAIL AREA.
- 3) PRODUCT SPECIFICATION AND PROCESSING PARAMETERS: PS-43223-001.
- 4) PACKAGING SPECIFICATION:
UNSHIELDED CONNECTOR ASSEMBLIES PACKAGED IN TRAYS PER MOLEX PACKAGING SPECIFICATION PK-43249-004.
- 5) SEE SHEETS 4-6 FOR P.C. BOARD LAYOUTS.
- 6) SEE SHEET 2 FOR THE SHIELDED JACK ASSEMBLY.
- 7) FOR 6 CIRCUIT JACKS CENTERLINE TO CENTERLINE SPACING IS .448/ 11.38, FOR 8 CIRCUIT JACKS CENTERLINE TO CENTERLINE SPACING IS .550/ 13.97.
- 8) ALL UNTOLERANCED DIMENSIONS ARE SHOWN FOR REFERENCE ONLY.
- 9) THIS PART CONFORMS TO CLASS B REQUIREMENTS OF COSMETIC SPECIFICATION PS-45499-002.

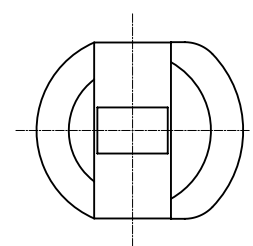


**4 PORT 8 LOADED
10 JACK SHOWN**

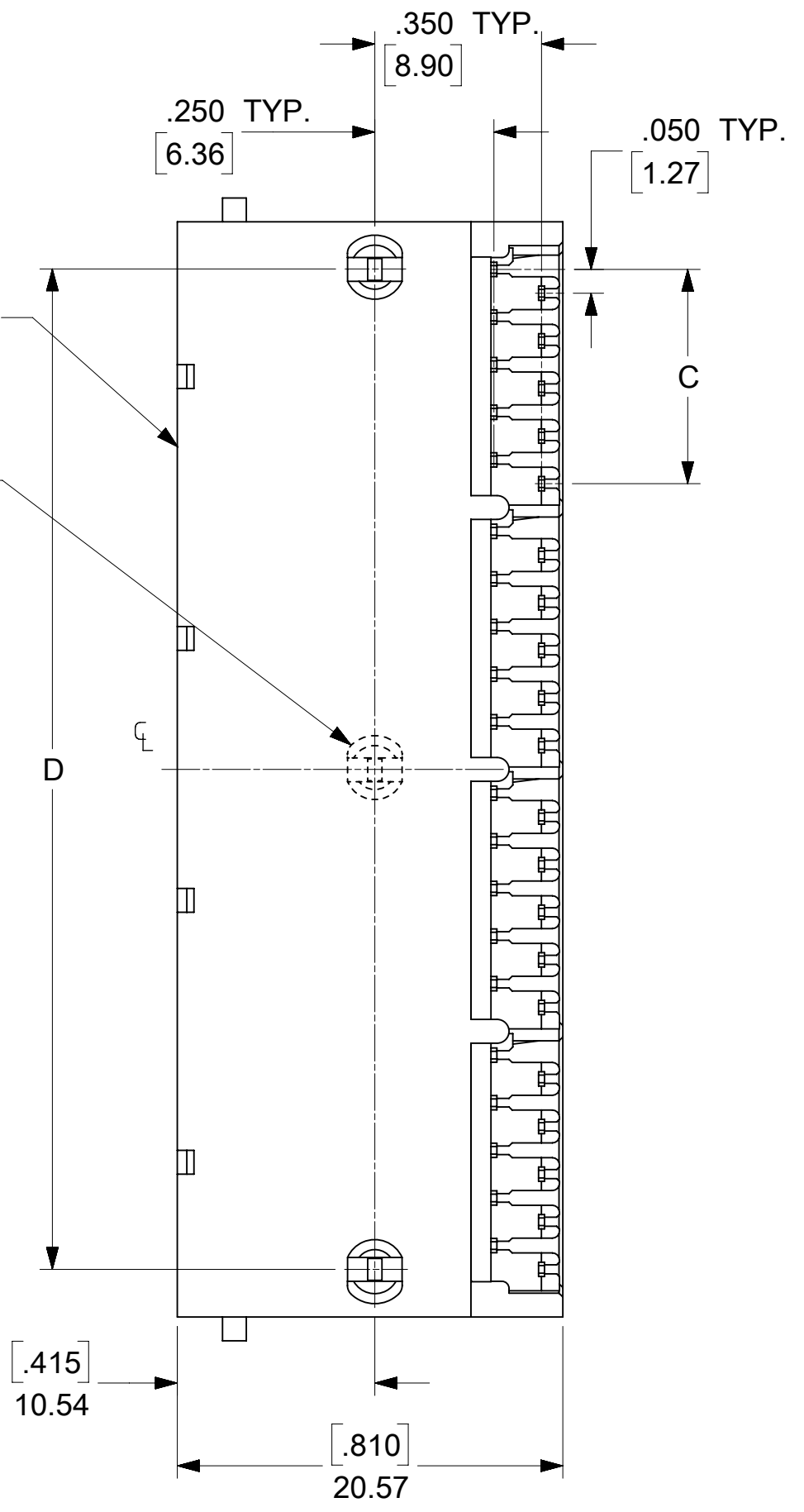
UNSHIELDED GANGED JACK ASSEMBLY
SHEET 3



CENTER PEG
(8 PORT ASSY. ONLY)



SNAP FIT
PEG DETAIL
SCALE 8:1



6 CIRCUIT HOUSING

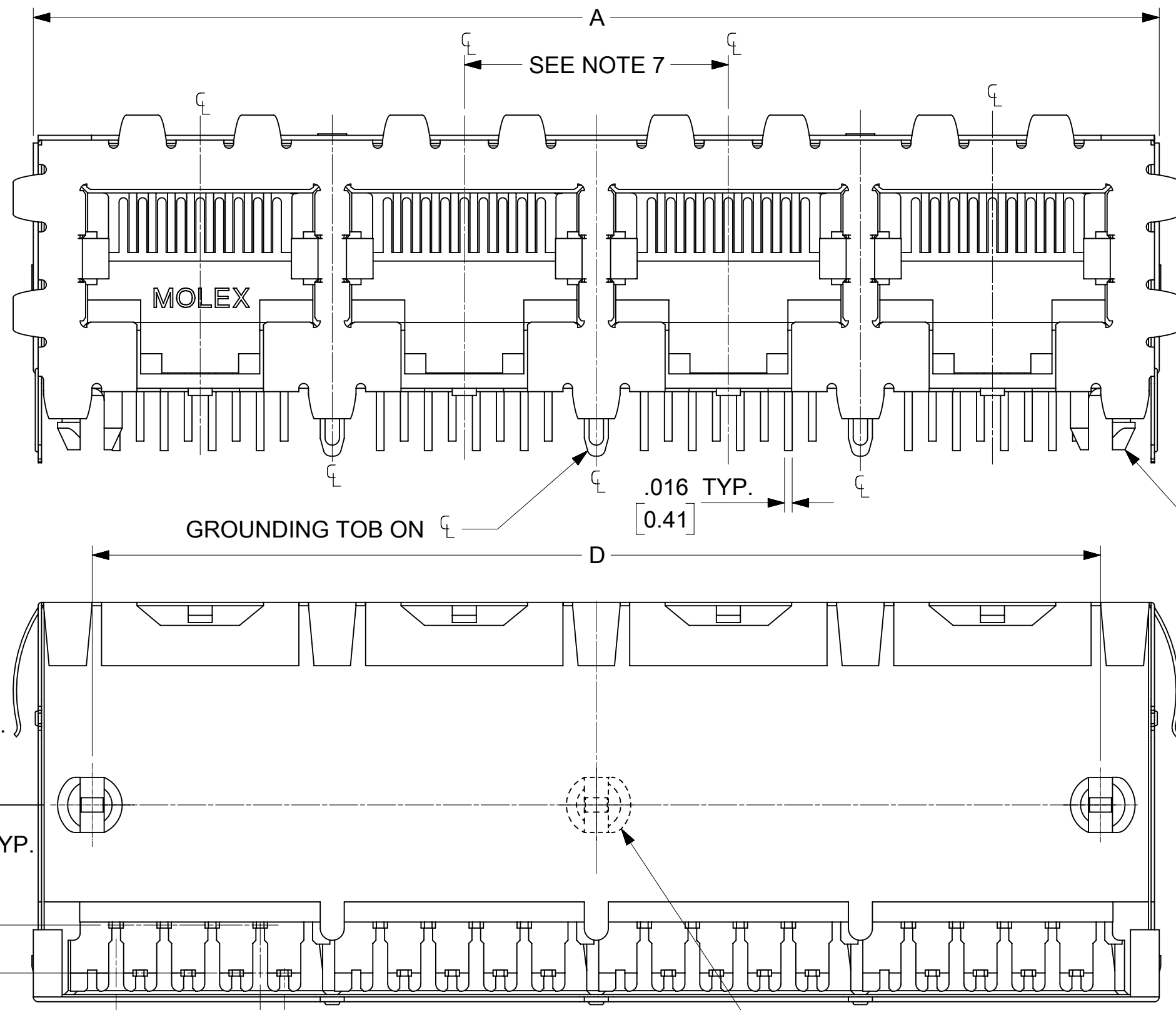
CIRCUIT SIZE	NO. OF PORTS	DIM. A	DIM. C	DIM. D
6	2	.985 (25.02)	.250 (6.35)	.848 (21.54)
4	2	.985 (25.02)	.150 (3.81)	.848 (21.54)
2	2	.985 (25.02)	.050 (1.27)	.848 (21.54)
6	3	1.433 (36.40)	.250 (6.35)	1.296 (32.92)
4	3	1.433 (36.40)	.150 (3.81)	1.296 (32.92)
2	3	1.433 (36.40)	.050 (1.27)	1.296 (32.92)
6	4	1.881 (47.78)	.250 (6.35)	1.744 (44.30)
4	4	1.881 (47.78)	.150 (3.81)	1.744 (44.30)
2	4	1.881 (47.78)	.050 (1.27)	1.744 (44.30)
6	5	2.329 (59.16)	.250 (6.35)	2.192 (55.68)
4	5	2.329 (59.16)	.150 (3.81)	2.192 (55.68)
2	5	2.329 (59.16)	.050 (1.27)	2.192 (55.68)
6	6	2.777 (70.54)	.250 (6.35)	2.640 (67.06)
4	6	2.777 (70.54)	.150 (3.81)	2.640 (67.06)
2	6	2.777 (70.54)	.050 (1.27)	2.640 (67.06)
6	8	3.673 (93.29)	.250 (6.35)	3.536 (89.81)
4	8	3.673 (93.29)	.150 (3.81)	3.536 (89.81)
2	8	3.673 (93.29)	.050 (1.27)	3.536 (89.81)

8 CIRCUIT HOUSING

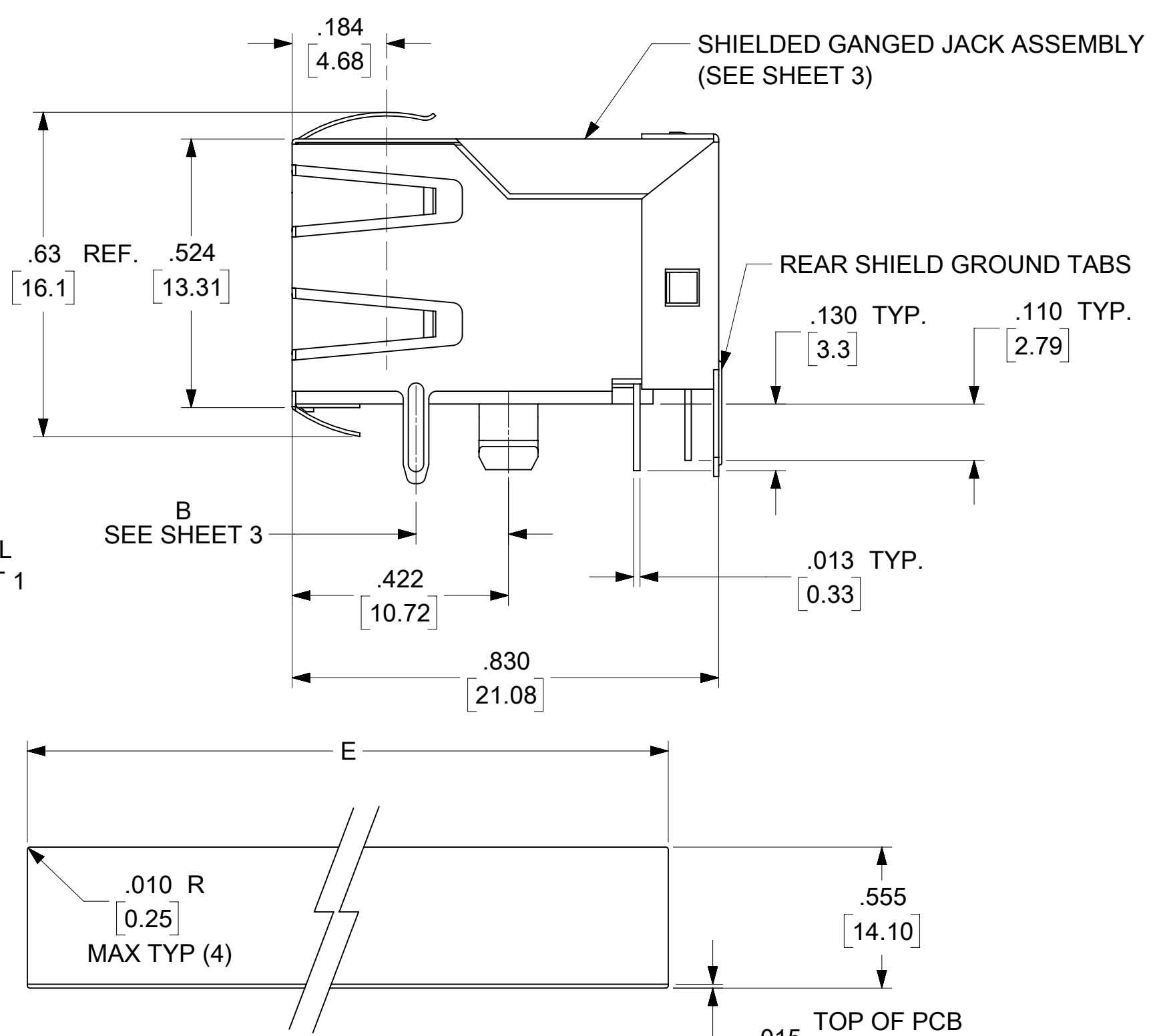
CIRCUIT SIZE	NO. OF PORTS	DIM. A	DIM. C	DIM. D
10	2	1.200 (30.48)	.450 (11.43)	1.000 (25.40)
8	2	1.200 (30.48)	.350 (8.89)	1.000 (25.40)
6	2	1.200 (30.48)	.250 (6.35)	1.000 (25.40)
10	3	1.750 (44.45)	.450 (11.43)	1.550 (39.37)
8	3	1.750 (44.45)	.350 (8.89)	1.550 (39.37)
6	3	1.750 (44.45)	.250 (6.35)	1.550 (39.37)
4	3	1.750 (44.45)	.150 (3.81)	1.550 (39.37)
10	4	2.300 (58.42)	.450 (11.43)	2.100 (53.34)
8	4	2.300 (58.42)	.350 (8.89)	2.100 (53.34)
4	4	2.300 (58.42)	.150 (3.81)	2.100 (53.34)
4	5	2.850 (72.39)	.150 (3.81)	2.650 (67.31)
10	5	2.850 (72.39)	.450 (11.43)	2.650 (67.31)
8	5	2.850 (72.39)	.350 (8.89)	2.650 (67.31)
10	6	3.400 (86.36)	.450 (11.43)	3.200 (81.28)
8	6	3.400 (86.36)	.350 (8.89)	3.200 (81.28)
10	8	4.500 (114.30)	.450 (11.43)	4.300 (109.22)
8	8	4.500 (114.30)	.350 (8.89)	4.300 (109.22)

THIS DRAWING CONTAINS INFORMATION THAT IS PROPRIETARY TO MOLEX ELECTRONIC TECHNOLOGIES, LLC AND SHOULD NOT BE USED WITHOUT WRITTEN PERMISSION

DIMENSION UNITS	SCALE	CURRENT REV DESC: REMOVED OBSOLETE PART NUMBER AS PER PCN#509457.	molex			
IN/MM	3:1					
GENERAL TOLERANCES (UNLESS SPECIFIED)		EC NO: 680890	LOW PROFILE GANGED, RIGHT ANGLE MODULAR JACK ASSEMBLY			
4 PLACES	±	DRWN: SANTHN 2021/06/18				
3 PLACES	±	CHK'D: GGA 2021/11/25	PRODUCT CUSTOMER DRAWING			
2 PLACES	± 0.38	APPR: GGA 2021/11/25				
1 PLACE	±	INITIAL REVISION:	DOCUMENT NUMBER	DOC TYPE	DOC PART	REVISION
0 PLACES	±	DRWN: JTR 1993/10/18	SDA-43223	PSD	001	L
ANGULAR TOL	± 0.5 °	APPR: RAS 1993/10/18	MATERIAL NUMBER	CUSTOMER	SHEET NUMBER	
DRAFT WHERE APPLICABLE MUST REMAIN WITHIN DIMENSIONS	THIRD ANGLE PROJECTION	DRAWING	SEE SHT 3	GENERAL MARKET	1 OF 6	
		C-SIZE	43223			

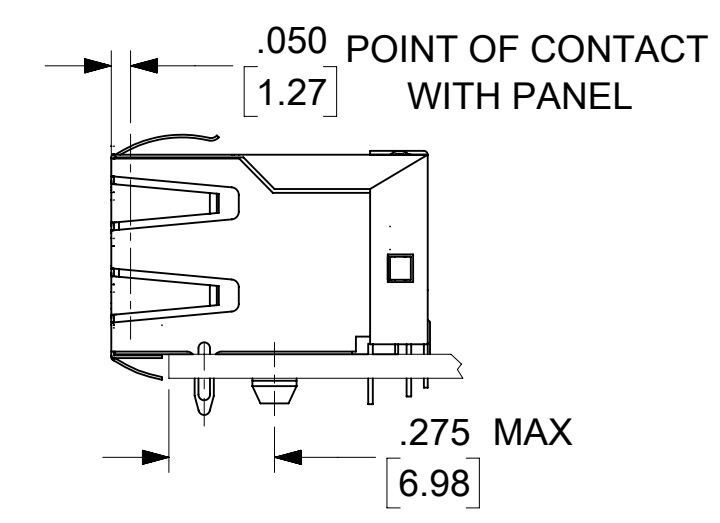


PEG DETAIL
SEE SHEET 1



SUGGESTED PANEL OPENING

SCALE : 2/1



**4 PORT 8 LOADED
8 JACK SHOWN**

- NOTES:
- MATERIAL:**
HOUSING: GLASS FILLED NYLON, UL94V-0, COLOR: BLACK
INSULATOR: GLASS FILLED NYLON, UL94V-0, COLOR: BLACK
TERMINALS: PHOSPHOR BRONZE: .012/ 0.30 THICK
SHIELD: BRASS, FRONT .007/ 0.18 THICK, REAR .010/ 0.25 THICK
 - FINISH:**
TERMINALS:
SELECT GOLD IN CONTACT AREA: 50 MICRONS/ 1.27 MICROMETERS MIN.,
*SELECT TIN IN PC TAIL AREA: 100 MICRONS/ 2.54 MICROMETERS MIN.,
WITH OVERALL NICKEL UNDERPLATE: 50 MICRONS/ 1.27 MICROMETERS MIN.
SHIELD:
*100 MICRONS/ 2.54 MICROMETERS NICKEL OVER 50 MICRONS/ 1.27 MICROMETERS COPPER UNDERPLATE. PCB GROUND TABS DIPPED IN TIN
*THE PRIMARY SHIPPING CARTON WILL BE LABELED "COMPLIANT TO RoHS DIRECTIVE 2002/95/EC AND ELV ANNEX II OF DIRECTIVE 2000/53/EC".
CARTONS WITHOUT THIS LABEL MAY CONTAIN PRODUCT WITH TIN-LEAD IN THE PC TAIL AND/OR SHIELD.
 - PRODUCT SPECIFICATION AND PROCESSING PARAMETERS:** PS-43223-001.
 - PACKAGING SPECIFICATION:**
SHIELDED CONNECTOR ASSEMBLIES PACKAGED IN TRAYS PER MOLEX PACKAGING SPECIFICATION PK-44150-004.
 - SEE SHEETS 4-6 FOR P.C. BOARD LAYOUTS.
 - REAR SHIELD IS AVAILABLE WITH (1) CENTERED GROUND TAB ON 4 & 8 PORT VERSIONS.
 - 8 CIRCUIT JACKS CENTERLINE TO CENTERLINE SPACING IS .550/ 13.97.
 - ALL UNTOLERANCED DIMENSIONS ARE SHOWN FOR REFERENCE ONLY.
 - THIS PART CONFORMS TO CLASS B REQUIREMENTS OF COSMETIC SPECIFICATION PS-45499-002.

HOUSING SIZE	CIRCUIT SIZE	NO. OF PORTS	DIM. A	DIM. C	DIM. D	DIM. E
8	8	2	1.224 (31.09)	.350 (8.89)	1.000 (25.40)	1.255 (31.88)
8	8	4	2.324 (59.03)	.350 (8.89)	2.100 (53.34)	2.355 (59.82)
8	8	6	3.424 (86.97)	.350 (8.89)	3.200 (81.28)	3.455 (87.76)
8	8	8	4.524 (114.91)	.350 (8.89)	4.300 (109.22)	4.555 (115.97)
8	2	8	4.524 (114.91)	.050 (1.27)	4.300 (109.22)	4.555 (115.97)

THIS DRAWING CONTAINS INFORMATION THAT IS PROPRIETARY TO MOLEX ELECTRONIC TECHNOLOGIES, LLC AND SHOULD NOT BE USED WITHOUT WRITTEN PERMISSION

DIMENSION UNITS IN/MM	SCALE 4:1	CURRENT REV DESC: REMOVED OBSOLETE PART NUMBER AS PER PCN#509457.	molex		
GENERAL TOLERANCES (UNLESS SPECIFIED)		EC NO: 680890			
4 PLACES ±	±	DRWN: SANTHN	PRODUCT CUSTOMER DRAWING		
3 PLACES ±	± 0.015	CHK'D: GGA	DOCUMENT NUMBER	DOC TYPE	DOC PART
2 PLACES ±	0.38 ±	APPR: GGA	SDA-43223	PSD	001
1 PLACE ±	±	INITIAL REVISION:	SHEET NUMBER	2 OF 6	
0 PLACES ±	±	DRWN: JTR	MATERIAL NUMBER	CUSTOMER	
ANGULAR TOL ± 0.5 °		APPR: RAS	SEE SHT 3	GENERAL MARKET	
DRAFT WHERE APPLICABLE MUST REMAIN WITHIN DIMENSIONS	THIRD ANGLE PROJECTION	DRAWING	3		
		SERIES	43223		

FLANGELESS (SHIELDED)

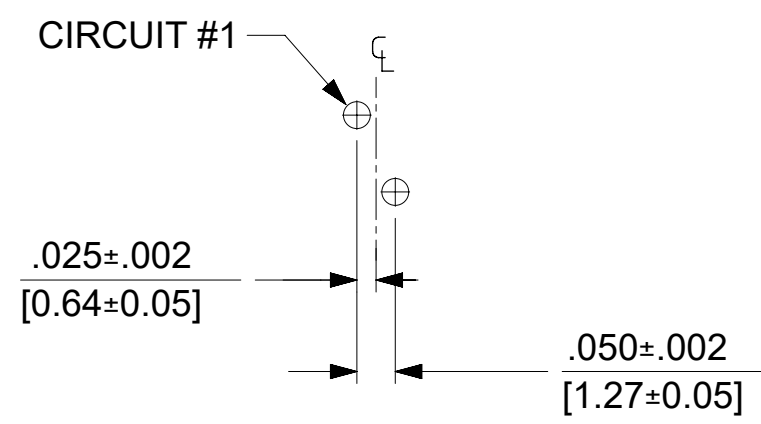
ASSEMBLY NUMBER	DIMENSION "B"	CONNECTOR SIZE	NUMBER OF CIRCUITS	NUMBER OF PORTS	NUMBER OF REAR SHIELD GROUND TABS	PACKAGING STYLE	PACKAGING SPECIFICATION
43223-8128	.180	8	8	2	1	TRAY	PK-44150-004
43223-8146	.180	8	8	4	3	↑	↑
43223-8164	.180	8	8	6	5	↑	↑
43223-8182	.180	8	8	8	7	↓	↓
43223-8185	.180	8	8	8	1	↓	↓
43223-8194	.180	8	2	8	7	TRAY	PK-44150-004
43223-8307	.145	8	2	8	7	TRAY	PK-44150-004

FLANGELESS (UNSHIELDED)

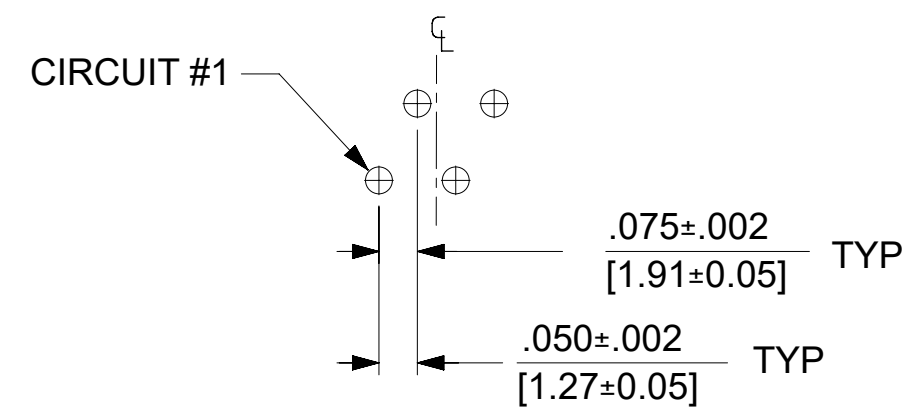
ASSEMBLY NUMBER	CONNECTOR SIZE	NUMBER OF CIRCUITS	NUMBER OF PORTS	PACKAGING STYLE	PACKAGING SPECIFICATION
43223-6101	6	6	2	TRAY	PK-43249-004
43223-6107	6	6	4	↑	↑
43223-6113	6	6	6	↑	↑
43223-6122	6	4	2		
43223-6128	6	4	4		
43223-6140	6	4	8		
43223-6155	6	2	6	↓	↓
43223-6158	6	2	8	TRAY	PK-43249-004
43223-8122	8	8	2	TRAY	PK-43249-004
43223-8140	8	8	4	↑	↑
43223-8158	8	8	6	↓	↓
43223-8176	8	8	8	TRAY	PK-43249-004

SNAP FIT PEG VERSIONS

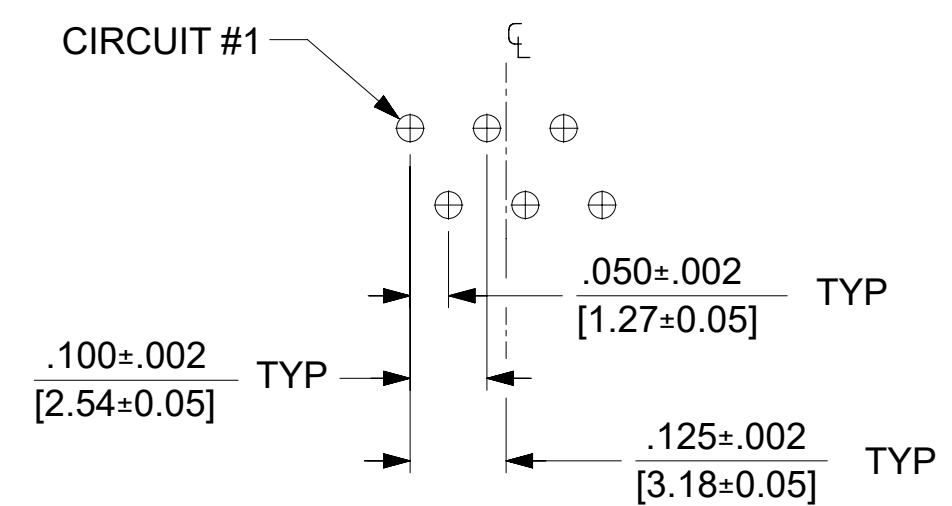
THIS DRAWING CONTAINS INFORMATION THAT IS PROPRIETARY TO MOLEX ELECTRONIC TECHNOLOGIES, LLC AND SHOULD NOT BE USED WITHOUT WRITTEN PERMISSION															
DIMENSION UNITS	SCALE	CURRENT REV DESC: REMOVED OBSOLETE PART NUMBER AS PER PCN#509457.						molex							
IN/MM	2:1	EC NO: 680890 DRWN: SANTHN 2021/06/18 CHK'D: GGA 2021/11/25 APPR: GGA 2021/11/25 INITIAL REVISION: DRWN: JTR 1993/10/18 APPR: RAS 1993/10/18						LOW PROFILE GANGED, RIGHT ANGLE MODULAR JACK ASSEMBLY							
GENERAL TOLERANCES (UNLESS SPECIFIED)								PRODUCT CUSTOMER DRAWING							
4 PLACES	±							MM	INCH	DOCUMENT NUMBER			DOC TYPE	DOC PART	REVISION
3 PLACES	±							0.38	±	SDA-43223			PSD	001	L
2 PLACES	±							0.38	±	MATERIAL NUMBER			CUSTOMER		
1 PLACE	±							0.38	±	SEE SHT 3			GENERAL MARKET		
0 PLACES	±	0.38	±	SHEET NUMBER			3 OF 6								
ANGULAR TOL	±	0.5 °		THIRD ANGLE PROJECTION		DRAWING	SERIES	SHEET NUMBER							
DRAFT WHERE APPLICABLE MUST REMAIN WITHIN DIMENSIONS				C-SIZE	43223	MATERIAL NUMBER		CUSTOMER							
DRAFT WHERE APPLICABLE MUST REMAIN WITHIN DIMENSIONS				C-SIZE	43223	MATERIAL NUMBER		CUSTOMER							



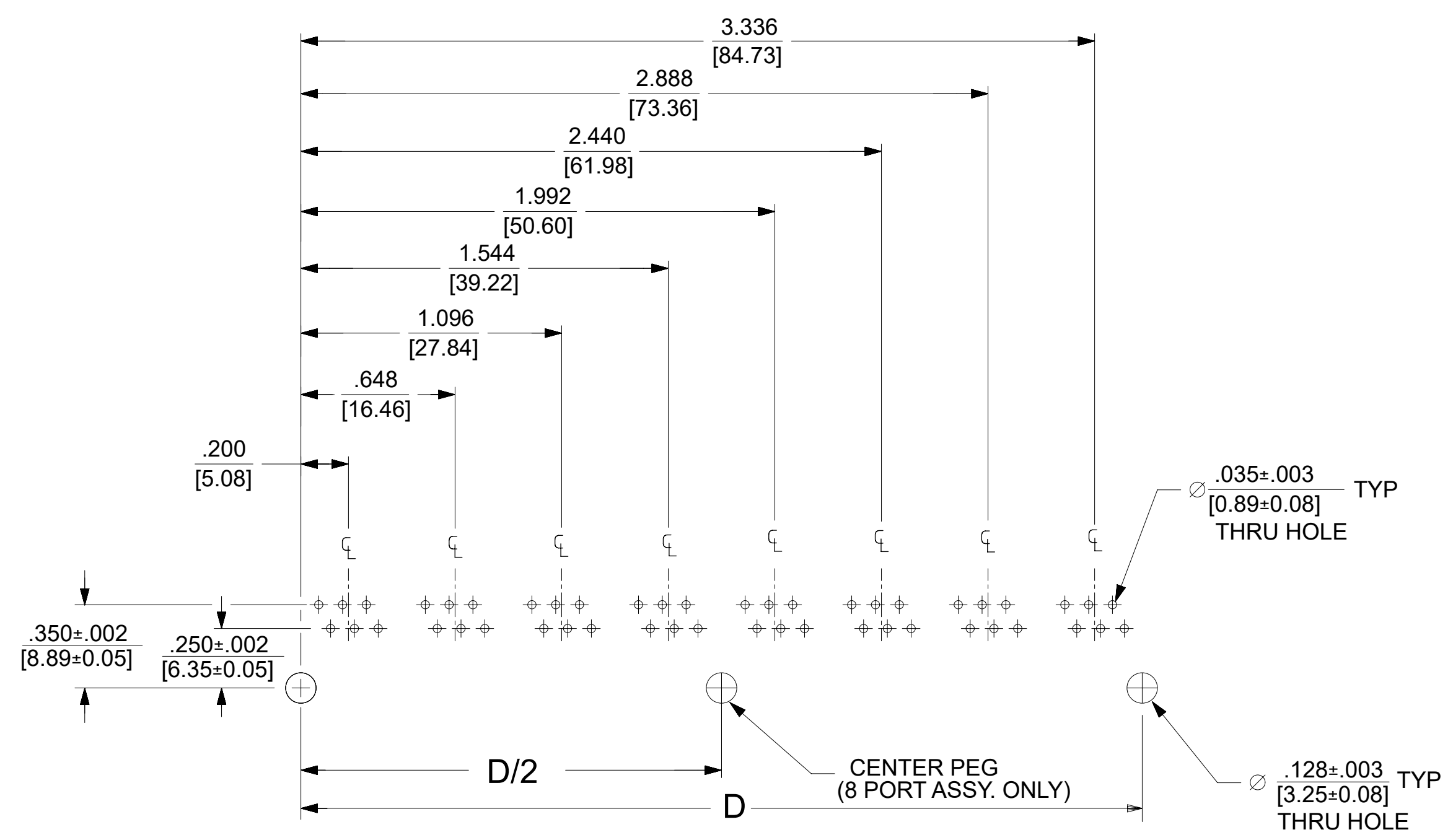
6 LOADED 2 DETAIL
SCALE: 4/1



6 LOADED 4 DETAIL
SCALE: 4/1



6 LOADED 6 DETAIL
SCALE: 4/1



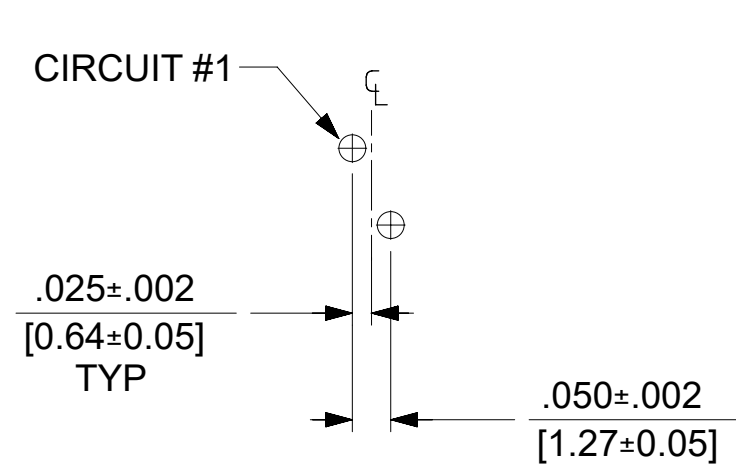
SUGGESTED P.C. BOARD LAYOUT
COMPONENT SIDE OF BOARD
8 PORT, 6 LOADED 6, LAYOUT SHOWN
(SNAP-FIT VERSIONS)

NOTES:
1. RECOMMENDED PCB THICKNESS: .062±.005/(1.57±0.13)

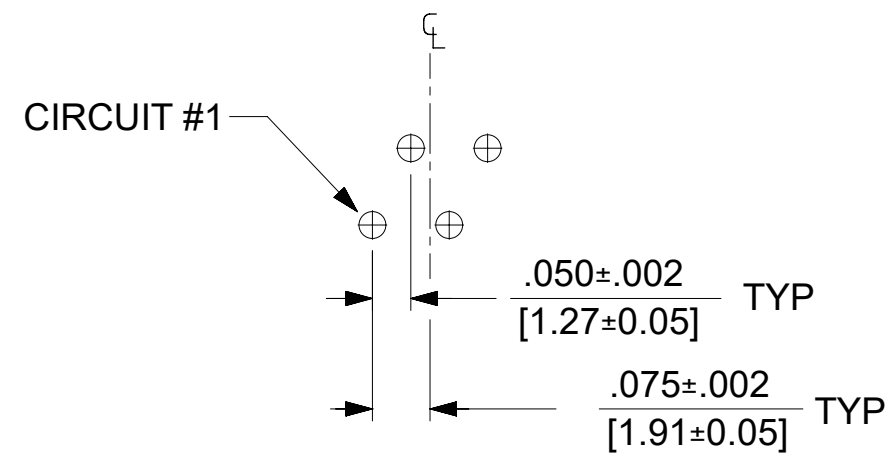
NUMBER OF PORTS	DIM. D
2	.848 (21.54)
3	1.296 (32.92)
4	1.744 (44.30)
5	2.192 (55.68)
6	2.640 (67.06)
8	3.536 (89.81)

THIS DRAWING CONTAINS INFORMATION THAT IS PROPRIETARY TO MOLEX ELECTRONIC TECHNOLOGIES, LLC AND SHOULD NOT BE USED WITHOUT WRITTEN PERMISSION

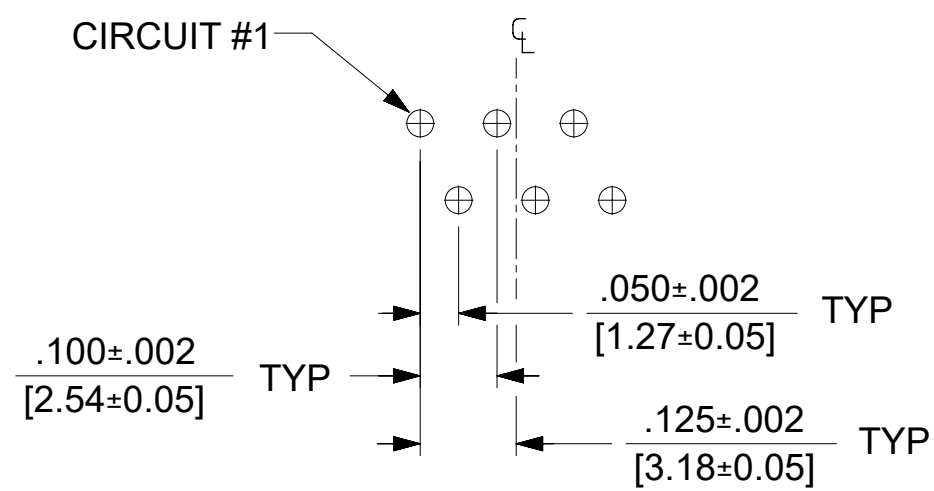
DIMENSION UNITS	SCALE	CURRENT REV DESC: REMOVED OBSOLETE PART NUMBER AS PER PCN#509457.	molex		
IN/MM	2:1				
GENERAL TOLERANCES (UNLESS SPECIFIED)			LOW PROFILE GANGED, RIGHT ANGLE MODULAR JACK ASSEMBLY		
	MM	INCH	EC NO: 680890	PRODUCT CUSTOMER DRAWING	
4 PLACES	±	±	DRWN: SANTHN	2021/06/18	
3 PLACES	±	± 0.015	CHK'D: GGA	2021/11/25	
2 PLACES	± 0.38	±	APPR: GGA	2021/11/25	
1 PLACE	±	±	INITIAL REVISION:		
0 PLACES	±	±	DRWN: JTR	1993/10/18	DOCUMENT NUMBER
ANGULAR TOL	± 0.5 °		APPR: RAS	1993/10/18	SDA-43223
DRAFT WHERE APPLICABLE MUST REMAIN WITHIN DIMENSIONS	THIRD ANGLE PROJECTION		DRAWING	SERIES	MATERIAL NUMBER
			C-SIZE	43223	SEE SHT 3
					CUSTOMER
					GENERAL MARKET
					SHEET NUMBER
					4 OF 6



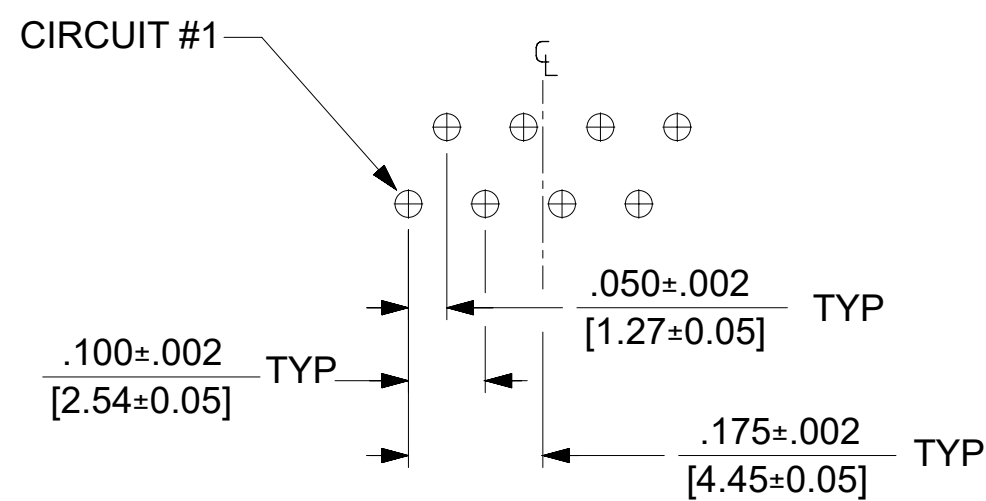
8 LOADED 2 DETAIL
SCALE: 4/1



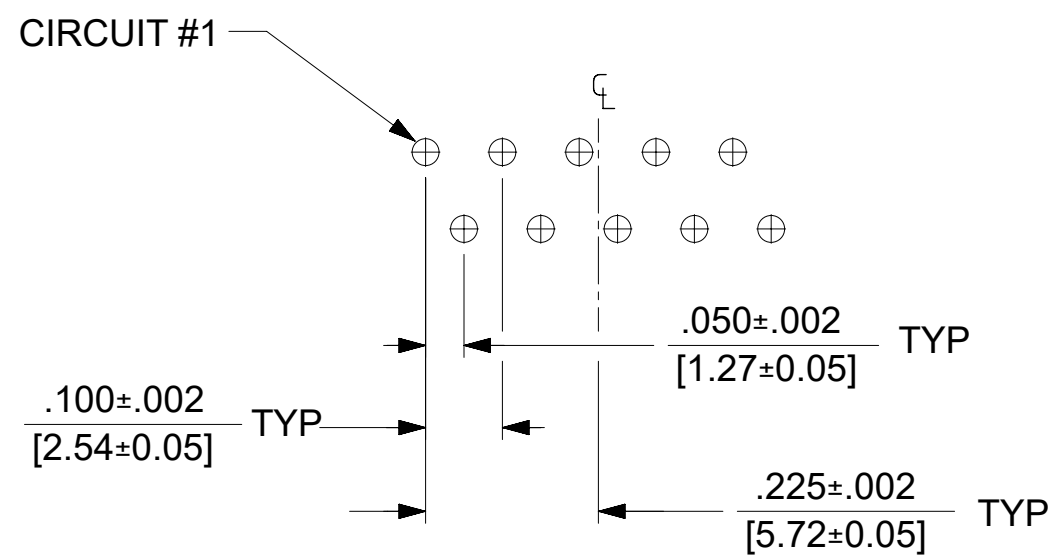
8 LOADED 4 DETAIL
SCALE: 4/1



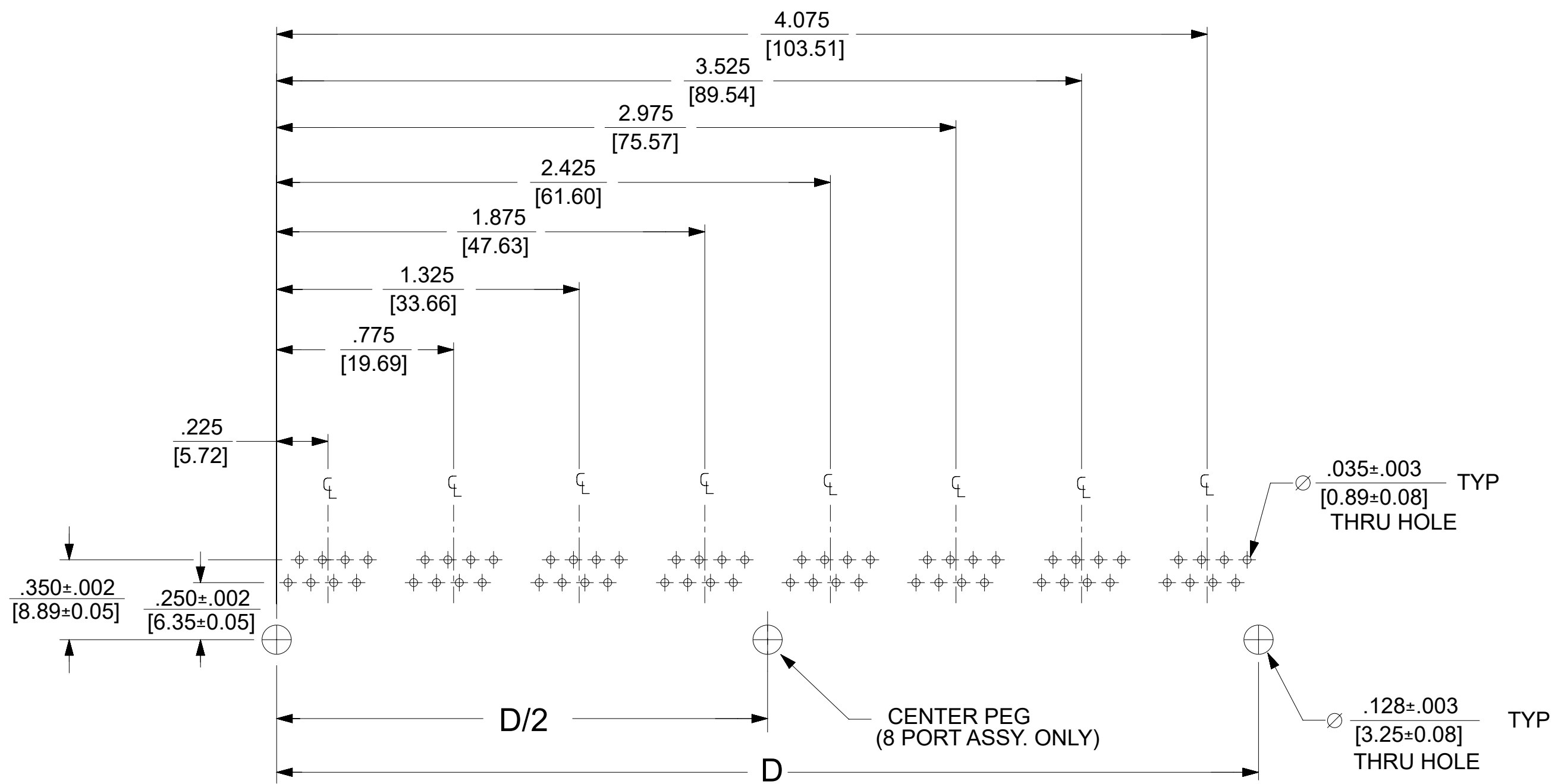
8 LOADED 6 DETAIL
SCALE: 4/1



8 LOADED 8 DETAIL
SCALE: 4/1



8 LOADED 10 DETAIL
SCALE: 4/1

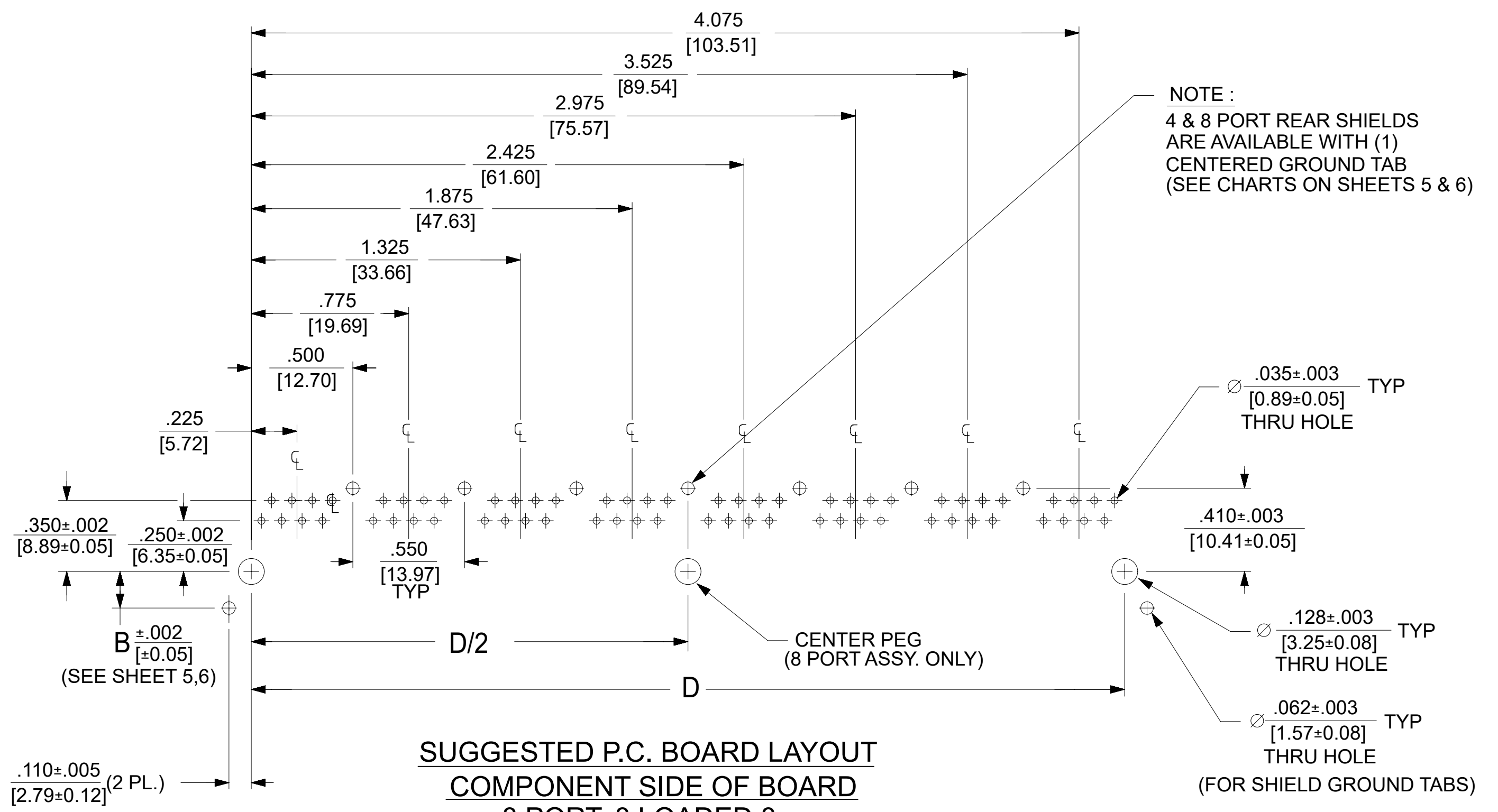
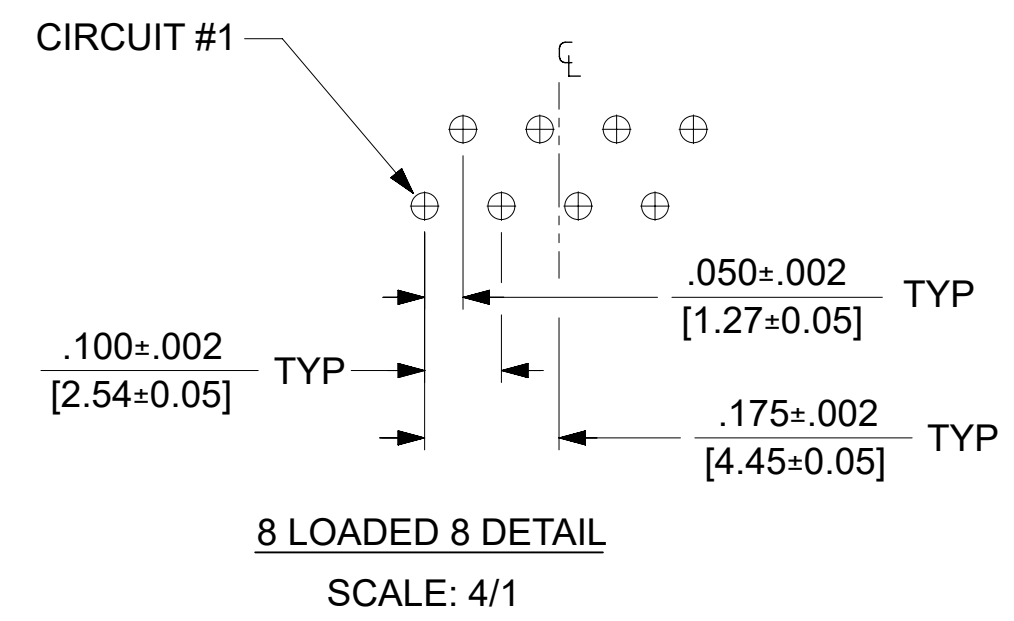
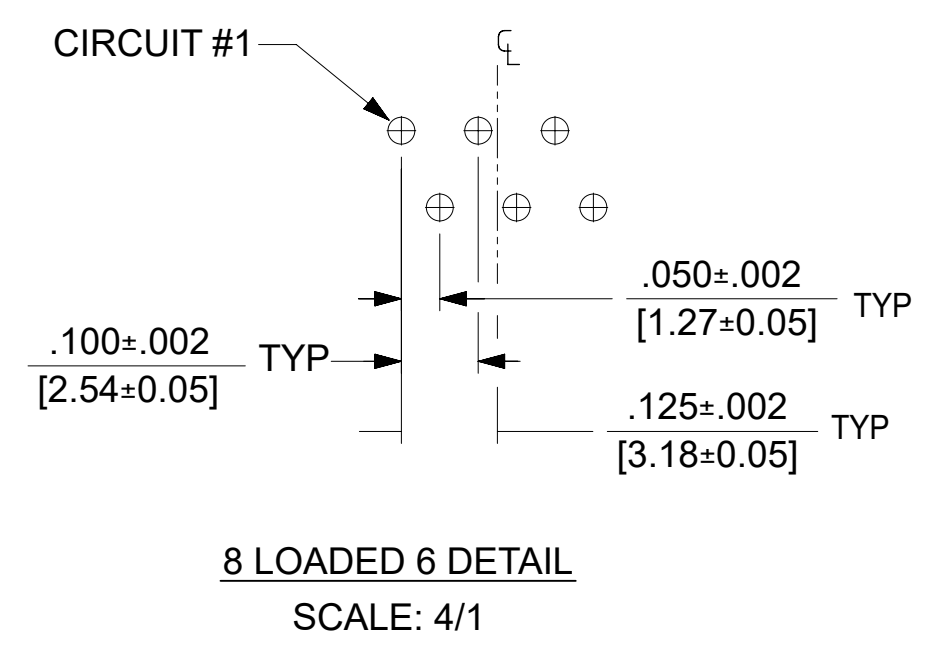
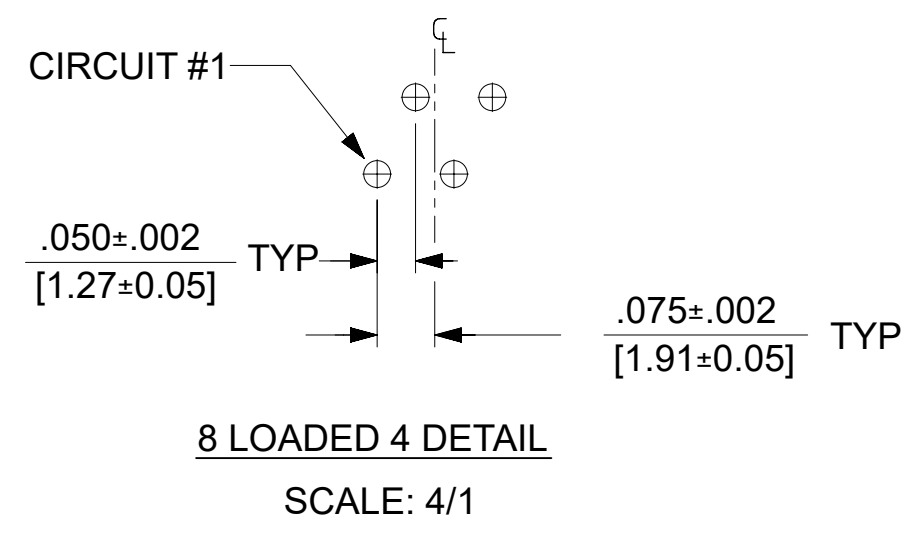
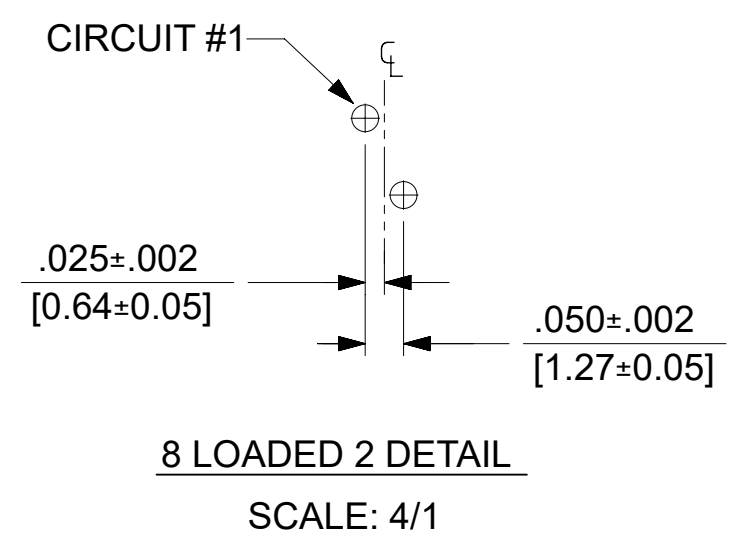


**SUGGESTED P.C. BOARD LAYOUT
COMPONENT SIDE OF BOARD
8 PORT, 8 LOADED 8
(SNAP-FIT VERSIONS)**

NOTES:
1. RECOMMENDED PCB THICKNESS: .062±.005/(1.57±0.13)

NUMBER OF PORTS	DIM. D
2	1.000 (25.40)
3	1.550 (39.37)
4	2.100 (53.34)
5	2.650 (67.31)
6	3.200 (81.28)
8	4.300 (109.32)

THIS DRAWING CONTAINS INFORMATION THAT IS PROPRIETARY TO MOLEX ELECTRONIC TECHNOLOGIES, LLC AND SHOULD NOT BE USED WITHOUT WRITTEN PERMISSION									
DIMENSION UNITS IN/MM		SCALE 2:1		CURRENT REV DESC: REMOVED OBSOLETE PART NUMBER AS PER PCN#509457.					
GENERAL TOLERANCES (UNLESS SPECIFIED)				EC NO: 680890		2021/06/18		<p>LOW PROFILE GANGED, RIGHT ANGLE MODULAR JACK ASSEMBLY</p>	
4 PLACES ±		±		DRWN: SANTHN		2021/11/25			
3 PLACES ±		± 0.015		CHK'D: GGA		2021/11/25			
2 PLACES ±		0.38 ±		APPR: GGA		2021/11/25			
1 PLACE ±		±		INITIAL REVISION:				PRODUCT CUSTOMER DRAWING	
0 PLACES ±		±		DRWN: JTR		1993/10/18		DOCUMENT NUMBER	
ANGULAR TOL ± 0.5 °		THIRD ANGLE PROJECTION		APPR: RAS		1993/10/18		SDA-43223	
DRAFT WHERE APPLICABLE MUST REMAIN WITHIN DIMENSIONS		DRAWING		SERIES		MATERIAL NUMBER		CUSTOMER	
		C-SIZE		43223		SEE SHT 3		GENERAL MARKET	
								PSD 001 L	
								SHEET NUMBER	
								5 OF 6	



NOTES:
1. RECOMMENDED PCB THICKNESS: .062±.005/(1.57±0.13)

NUMBER OF PORTS	DIM. D
2	1.000 (25.40)
4	2.100 (53.34)
6	3.200 (81.28)
8	4.300 (109.32)

THIS DRAWING CONTAINS INFORMATION THAT IS PROPRIETARY TO MOLEX ELECTRONIC TECHNOLOGIES, LLC AND SHOULD NOT BE USED WITHOUT WRITTEN PERMISSION			
DIMENSION UNITS IN/MM	SCALE 2:1	CURRENT REV DESC: REMOVED OBSOLETE PART NUMBER AS PER PCN#509457.	
GENERAL TOLERANCES (UNLESS SPECIFIED)		EC NO: 680890	
	MM	INCH	DRWN: SANTHN 2021/06/18
4 PLACES	±	±	CHK'D: GGA 2021/11/25
3 PLACES	±	± 0.015	APPR: GGA 2021/11/25
2 PLACES	± 0.38	±	INITIAL REVISION:
1 PLACE	±	±	DRWN: JTR 1993/10/18
0 PLACES	±	±	APPR: RAS 1993/10/18
ANGULAR TOL	± 0.5 °	THIRD ANGLE PROJECTION	
DRAFT WHERE APPLICABLE MUST REMAIN WITHIN DIMENSIONS		DRAWING C-SIZE	SERIES 43223
DOCUMENT STATUS		DOCUMENT NUMBER	DOC TYPE DOC PART REVISION
P1	RELEASE DATE 2021/11/25 12:19:21	SDA-43223	PSD 001 L
MATERIAL NUMBER		CUSTOMER	SHEET NUMBER
SEE SHT 3		GENERAL MARKET	6 OF 6