

NOTES:

1) MATERIAL:

HOUSING: NYLON(PA), GLASS FILLED, UL94V-0, COLOR: BLACK  
 INSULATOR: NYLON(PA), GLASS FILLED, UL94V-0, COLOR: BLACK  
 TERMINALS: PHOSPHOR BRONZE, 0.30 mm THICK  
 SHIELD: BRASS, 0.18 mm THICK

2) FINISH:

TERMINALS:

A = SELECT GOLD IN CONTACT AREA: 1.27 MICROMETERS MIN.,  
 \*SELECT TIN IN PC TAIL AREA: 2.54 MICROMETERS MIN.,  
 WITH OVERALL NICKEL UNDERPLATE: 1.27 MICROMETERS MIN.  
 B = SELECT GOLD IN CONTACT AREA: 0.76 MICROMETERS MIN.,  
 \*SELECT TIN IN PC TAIL AREA: 2.54 MICROMETERS MIN.,  
 WITH OVERALL NICKEL UNDERPLATE: 1.27 MICROMETERS MIN.

SHIELD:

\*2.54 MICROMETERS NICKEL OVER 1.27 MICROMETERS COPPER UNDERPLATE;  
 PCB GROUND TABS DIPPED IN TIN  
 \*THE PRIMARY SHIPPING CARTON WILL BE LABELED "COMPLIANT TO RoHS  
 DIRECTIVE 2002/95/EC AND ELV ANNEX II OF DIRECTIVE 2000/53/EC".  
 CARTONS WITHOUT THIS LABEL MAY CONTAIN PRODUCT WITH TIN-LEAD  
 IN THE PC TAILS AND/OR SHIELD.

3) PRODUCT SPECIFICATION AND PROCESSING PARAMETERS: PS-43249.

4) PACKAGING SPECIFICATION:

UNSHIELDED CONNECTOR ASSEMBLIES PACKAGED IN THERMOFORMED TRAYS  
 PER MOLEX PACKAGING SPECIFICATION PK-43249-004.  
 UNSHIELDED CONNECTOR ASSEMBLIES PACKAGED IN TUBES  
 PER MOLEX PACKAGING SPECIFICATION PK-43249-005.  
 SHIELDED CONNECTOR ASSEMBLIES PACKAGED IN THERMOFORMED TRAYS  
 PER MOLEX PACKAGING SPECIFICATION PK-44050-004.

5) MATES WITH: MODULAR PLUGS THAT CONFORM TO FCC REGULATION PART 68.5.

6) SEE SHEET 3 FOR SHIELDED JACK ASSEMBLY.

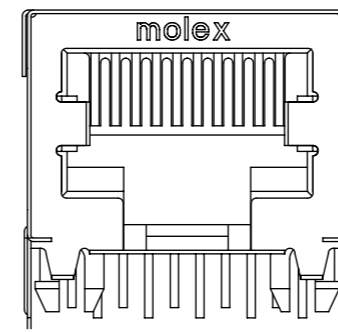
7) SEE SHEETS 5 & 6 FOR P.C. BOARD LAYOUTS.

8) ALL UNTOLERANCED DIMENSIONS ARE SHOWN FOR REFERENCE ONLY.

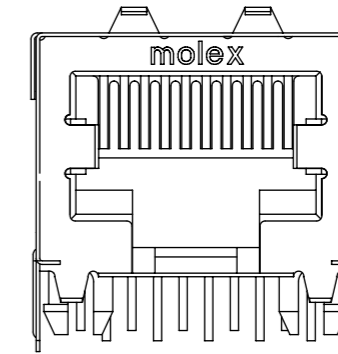
9) THIS PART CONFORMS TO CLASS B REQUIREMENTS OF COSMETIC  
 SPECIFICATION PS-45499-002.

10) THIS PART CONFORMS TO FCC REGULATION 68.5 AND TIA 1096 FOR MODULAR  
 JACKS.

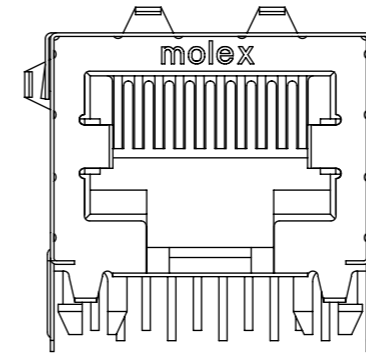
SIDE/TOP GROUND TAB OPTIONS FOR SHIELDS



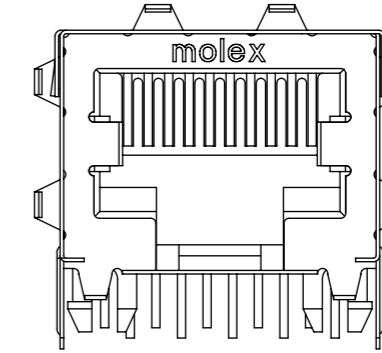
OPTION "A"  
NO TOP OR SIDE TABS



OPTION "B"  
TOP TABS

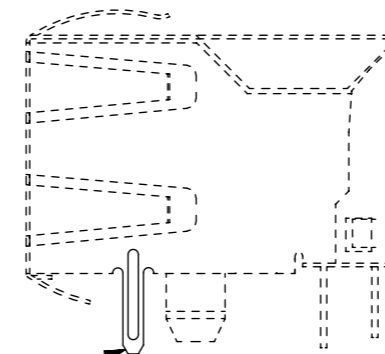


OPTION "C"  
TOP AND STAGGERED SIDE TABS

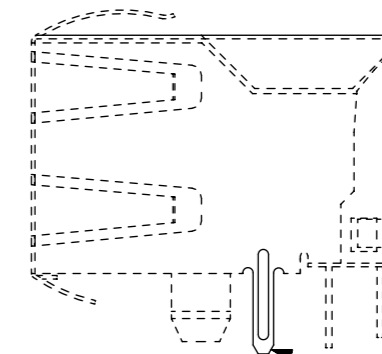


OPTION "D"  
TOP AND SIDE TABS

BOTTOM PCB GROUND TAB OPTIONS  
FOR SHIELDS



OPTION "E"  
OPTIONAL FRONT POSITION



OPTION "F"  
OPTIONAL REAR POSITION

NOTE: EITHER PCB GROUND TAB OPTION IS AVAILABLE  
ON ALL SIDE/TOP TAB CONFIGURATIONS

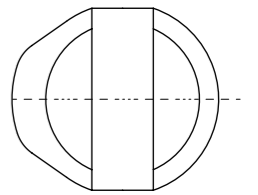
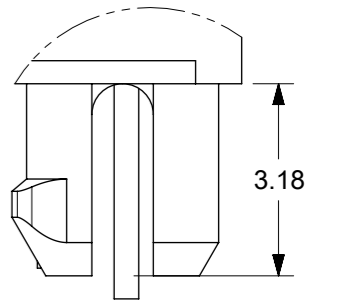
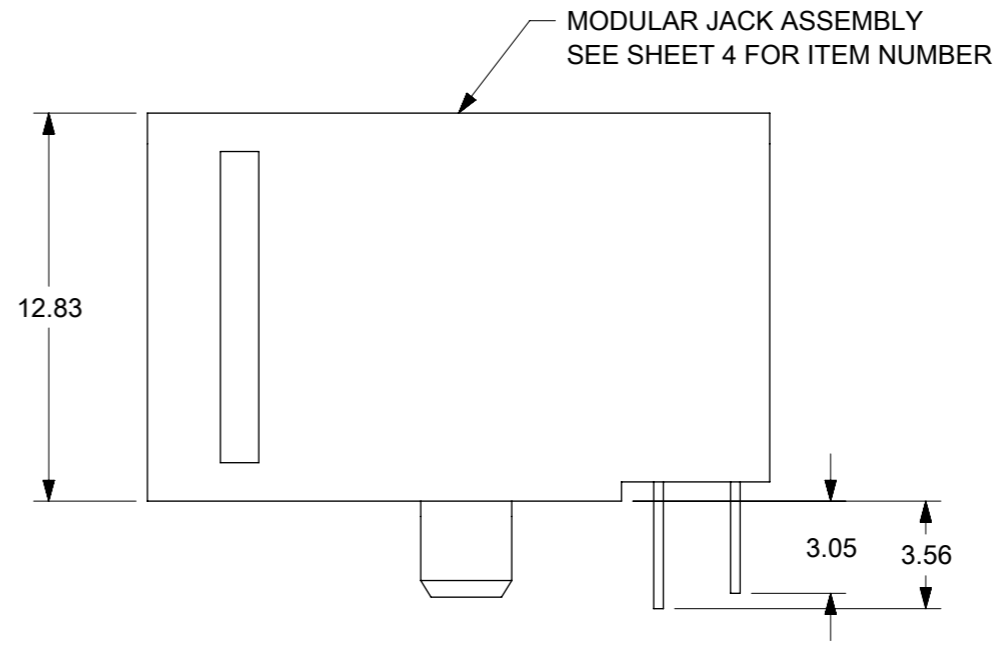
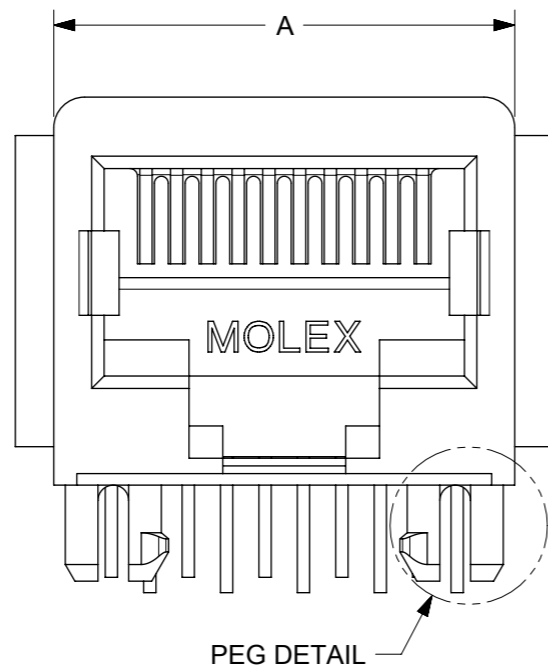
DRAWING LEGEND

- SHEET 1- NOTES; GROUND TAB OPTIONS
- SHEET 2- UNSHIELDED MODULAR JACK
- SHEET 3- SHIELDED MODULAR JACK WITH  
OPTIONAL SIDE/TOP GROUND TABS & BOTTOM GROUND  
TAB WITH OPTIONAL POSITION.
- SHEET 4- PART NUMBER CHARTS
- SHEET 5- FOOTPRINT LAYOUT FOR 8 POSITION HOUSING
- SHEET 6- FOOTPRINT LAYOUT FOR 6 POSITION HOUSING

FUNCTIONAL SYMBOLS	THIS DRAWING CONTAINS INFORMATION THAT IS PROPRIETARY TO MOLEX ELECTRONIC TECHNOLOGIES, LLC AND SHOULD NOT BE USED WITHOUT WRITTEN PERMISSION		<b>molex</b>				
	FUNCTIONAL SYMBOLS	THIS DRAWING CONTAINS INFORMATION THAT IS PROPRIETARY TO MOLEX ELECTRONIC TECHNOLOGIES, LLC AND SHOULD NOT BE USED WITHOUT WRITTEN PERMISSION			FUNCTIONAL SYMBOLS	THIS DRAWING CONTAINS INFORMATION THAT IS PROPRIETARY TO MOLEX ELECTRONIC TECHNOLOGIES, LLC AND SHOULD NOT BE USED WITHOUT WRITTEN PERMISSION	
$\nabla_A = 0$	DIMENSION UNITS	SCALE	<b>LOW PROFILE RIGHT ANGLE MODULAR JACK ASSEMBLY</b>				
$\nabla_E = 0$	mm	4:1					
$\nabla_F = 0$	GENERAL TOLERANCES (UNLESS SPECIFIED)		<b>PRODUCT CUSTOMER DRAWING</b>				
$\nabla_G = 0$	ANGULAR TOL $\pm 0.5^\circ$						
DIVISIONAL SYMBOLS	4 PLACES	$\pm$	<b>SDA-43249</b>				
	3 PLACES	$\pm$					
	2 PLACES	$\pm 0.25$					
	1 PLACE	$\pm$					
	0 PLACES	$\pm$					
DRAFT WHERE APPLICABLE MUST REMAIN WITHIN DIMENSIONS		THIRD ANGLE PROJECTION	DRAWING	SERIES	MATERIAL NUMBER	CUSTOMER	SHEET NUMBER
			A3-SIZE	43249	SEE SHEET 4	GENERAL MARKET	1 OF 6

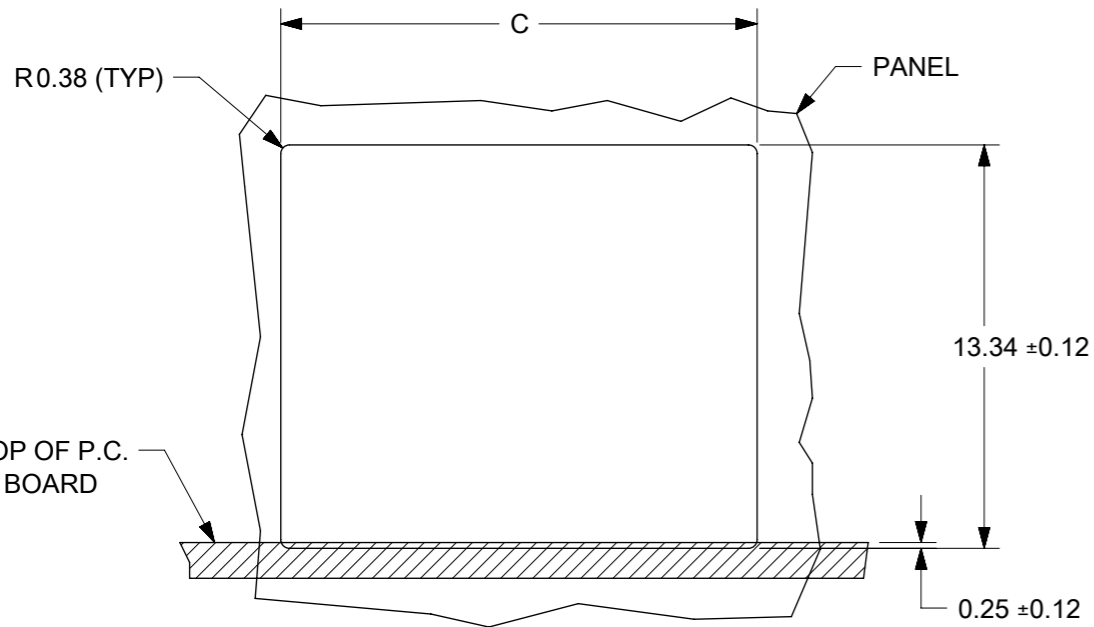
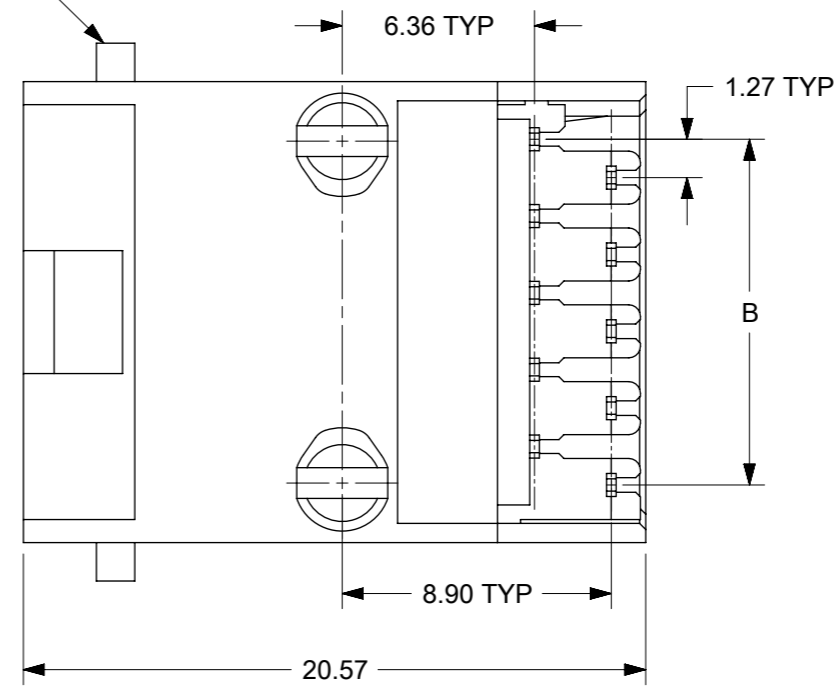
# UNSHIELDED MODULAR JACK

8 POSITION LOADED 10 SIZE SHOWN



PEG DETAIL  
SCALE 8:1

OPTIONAL FLANGE  
USED FOR FLUSH  
MODULAR JACK



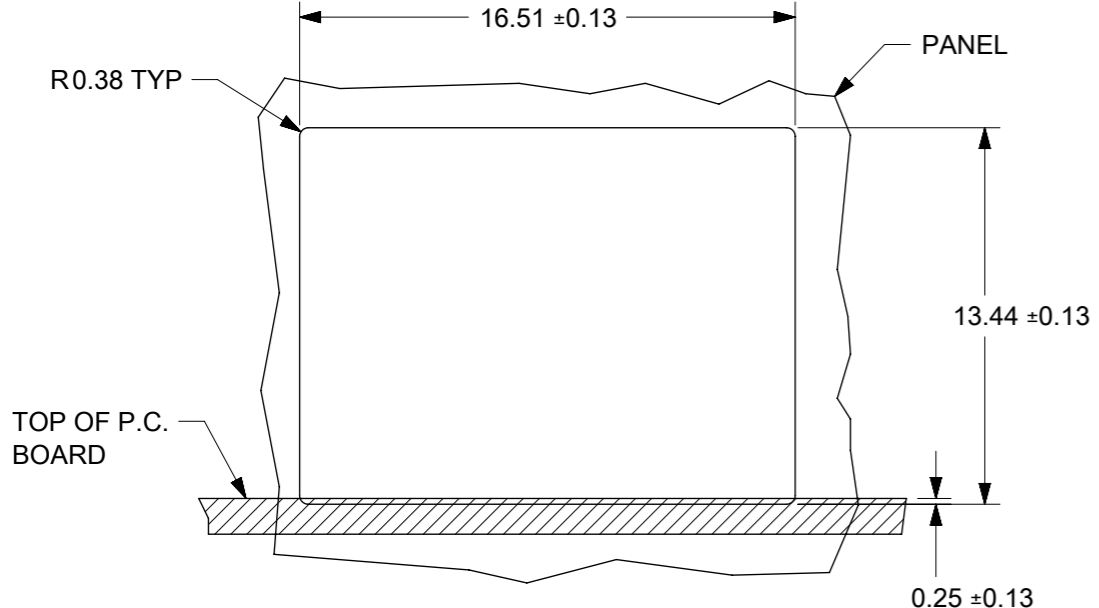
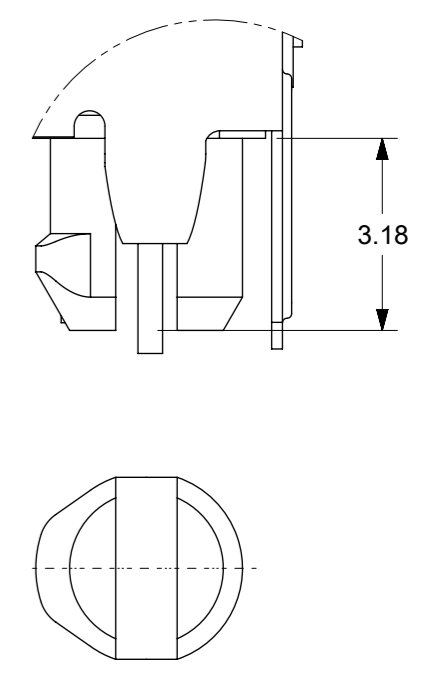
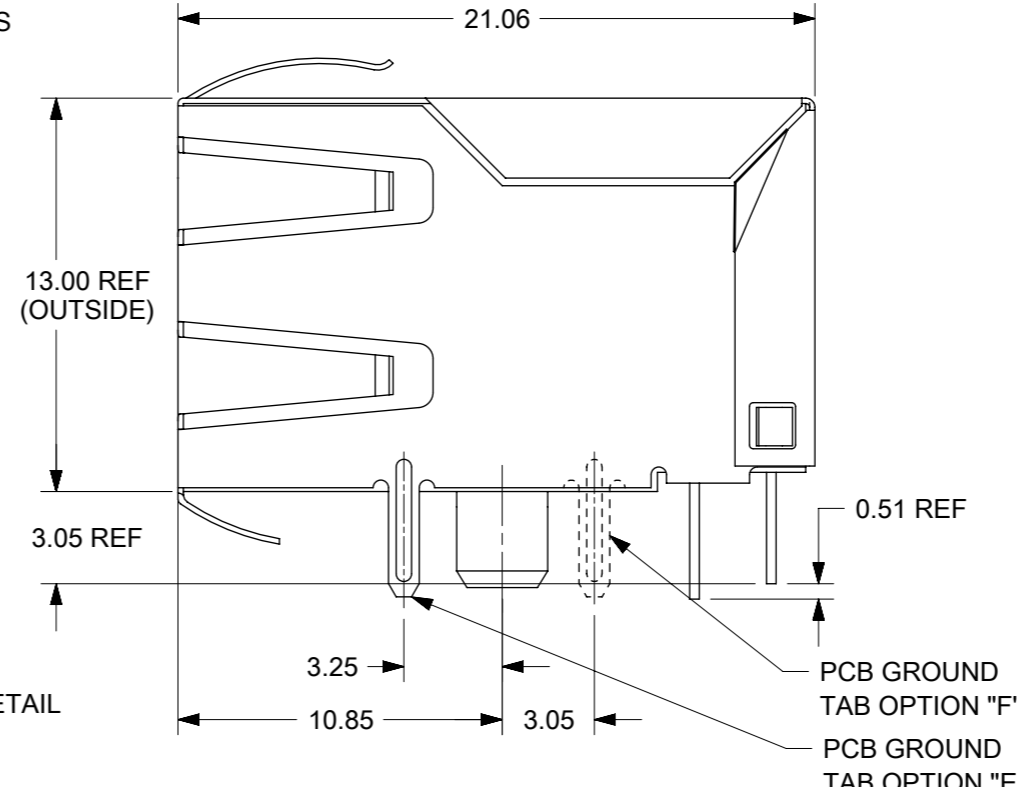
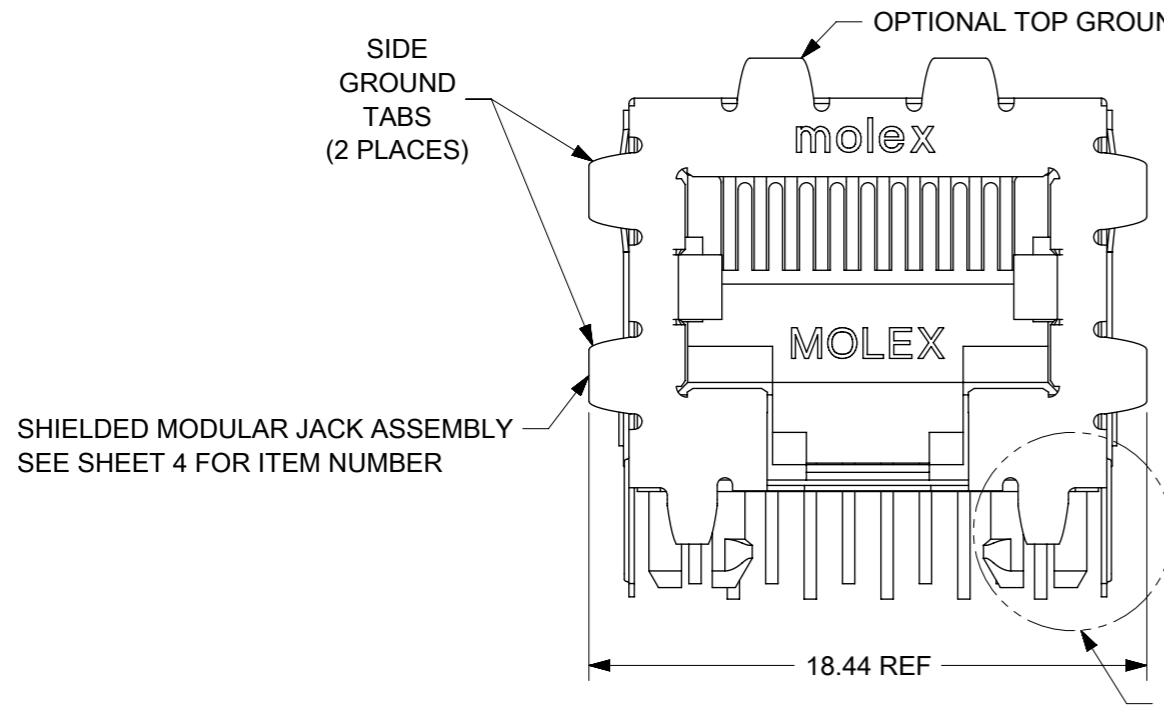
PANEL CUT-OUT (UNSHIELDED)

HOUSING SIZE	CIRCUIT SIZE	DIM. A	DIM. B	DIM. C
8	10	15.24±0.13	11.43±0.13	15.75±0.13
8	8	15.24±0.13	8.89±0.13	15.75±0.13
8	4	15.24±0.13	3.81±0.13	15.75±0.13
8	6	15.24±0.13	6.35±0.13	15.75±0.13
6	6	13.21±0.13	6.35±0.13	13.72±0.13
6	4	13.21±0.13	3.81±0.13	13.72±0.13
6	2	13.21±0.13	1.27±0.13	13.72±0.13

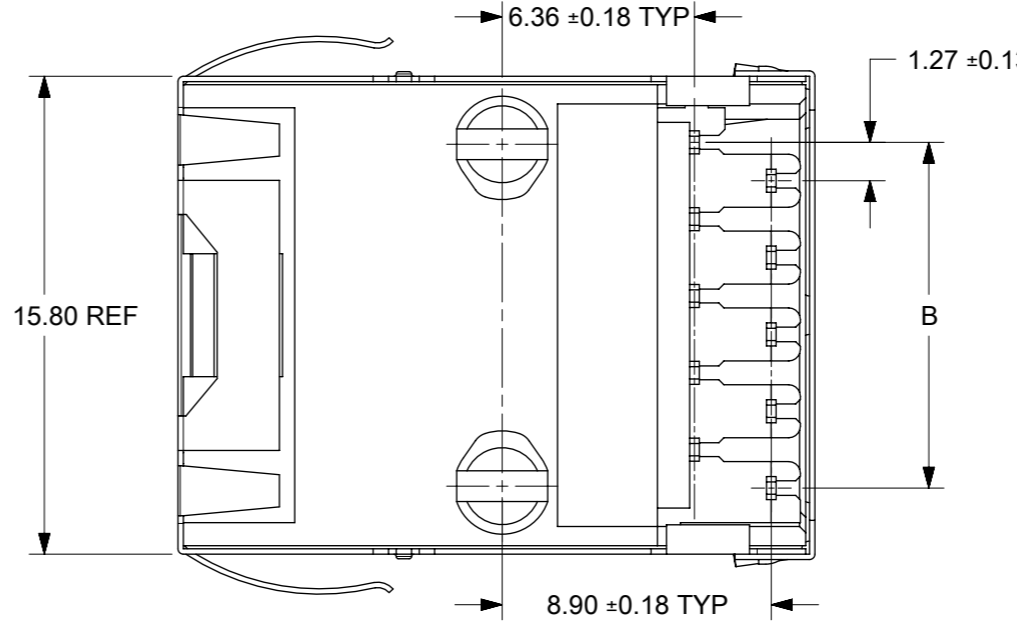
FUNCTIONAL SYMBOLS	THIS DRAWING CONTAINS INFORMATION THAT IS PROPRIETARY TO MOLEX ELECTRONIC TECHNOLOGIES, LLC AND SHOULD NOT BE USED WITHOUT WRITTEN PERMISSION	CURRENT REV DESC: MIGRATED TO NX		
	DIMENSION UNITS: <b>mm</b> SCALE: <b>4:1</b>	GENERAL TOLERANCES (UNLESS SPECIFIED) ANGULAR TOL ± 0.5°		
DIVISIONAL SYMBOLS	4 PLACES ±	EC NO: 705669	2020/07/07	PRODUCT CUSTOMER DRAWING DOCUMENT NUMBER: <b>SDA-43249</b> DOC TYPE: PSD DOC PART: 001 REVISION: K3
	3 PLACES ±	DRWN: KKUMARB	2022/05/23	
	2 PLACES ± 0.25	CHK'D: KLANG	2022/05/23	
	1 PLACE ±	APPR: KLANG		
0 PLACES ±	INITIAL REVISION:	DRWN: RFC_PLMIMP	2020/08/19	
DRAFT WHERE APPLICABLE MUST REMAIN WITHIN DIMENSIONS		APPR: REDGLE	2000/08/11	MATERIAL NUMBER: SEE SHEET 4
THIRD ANGLE PROJECTION		DRAWING: A3-SIZE	SERIES: 43249	CUSTOMER: GENERAL MARKET
		SHEET NUMBER: 2 OF 6		

# MODULAR JACK W/ .007" THICK SHIELD AND OPTIONAL GROUND TABS

8 LOADED 10 VERSION SHOWN WITH GROUND TAB OPTIONS "D" AND "E"



**PANEL CUT-OUT (SHIELDED)**



DESCRIPTION OF GROUND TAB OPTIONS:  
(SEE SHEET 4 FOR AVAILABLE COMBINATIONS OF OPTIONS)

GROUND TAB OPTION	DESCRIPTION
A	NO GROUND TABS
B	TOP TABS ONLY
C	STAGGERED SIDE TABS
D	TOP AND SIDE TABS
E	PCB GROUND TAB IN FRONT POSITION
F	PCB GROUND TAB IN REAR POSITION

HOUSING SIZE	CIRCUIT SIZE	B
8	10	11.43±0.13
8	8	8.89±0.13

DOCUMENT STATUS | P1 | RELEASE DATE | 2022/05/23 17:01:26


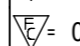
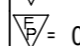

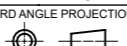
FUNCTIONAL SYMBOLS FA = 0 FE = 0 FE = 0	THIS DRAWING CONTAINS INFORMATION THAT IS PROPRIETARY TO MOLEX ELECTRONIC TECHNOLOGIES, LLC AND SHOULD NOT BE USED WITHOUT WRITTEN PERMISSION	SCALE 4:1	CURRENT REV DESC: MIGRATED TO NX		
	DIMENSION UNITS mm	GENERAL TOLERANCES (UNLESS SPECIFIED)	molex		
DIVISIONAL SYMBOLS	ANGULAR TOL ± 0.5°	4 PLACES ±	LOW PROFILE RIGHT ANGLE MODULAR JACK ASSEMBLY		
	3 PLACES ±	3 PLACES ±	PRODUCT CUSTOMER DRAWING		
	2 PLACES ± 0.25	2 PLACES ±	EC NO: 705669		
	1 PLACE ±	1 PLACE ±	DRWN: KKUMARB 2020/07/07		
	0 PLACES ±	0 PLACES ±	CHK'D: KLANG 2022/05/23		
	DRAFT WHERE APPLICABLE MUST REMAIN WITHIN DIMENSIONS	THIRD ANGLE PROJECTION	APPR: KLANG 2022/05/23		
		DRAWING	INITIAL REVISION:		
		A3-SIZE	DRWN: RFC_PLMIMP 2020/08/19		
		43249	APPR: REDGLEY 2000/08/11		
		SEE SHEET 4	DOCUMENT NUMBER		
		GENERAL MARKET	SDA-43249		
		3 OF 6	DOC TYPE DOC PART REVISION		
			PSD 001 K3		

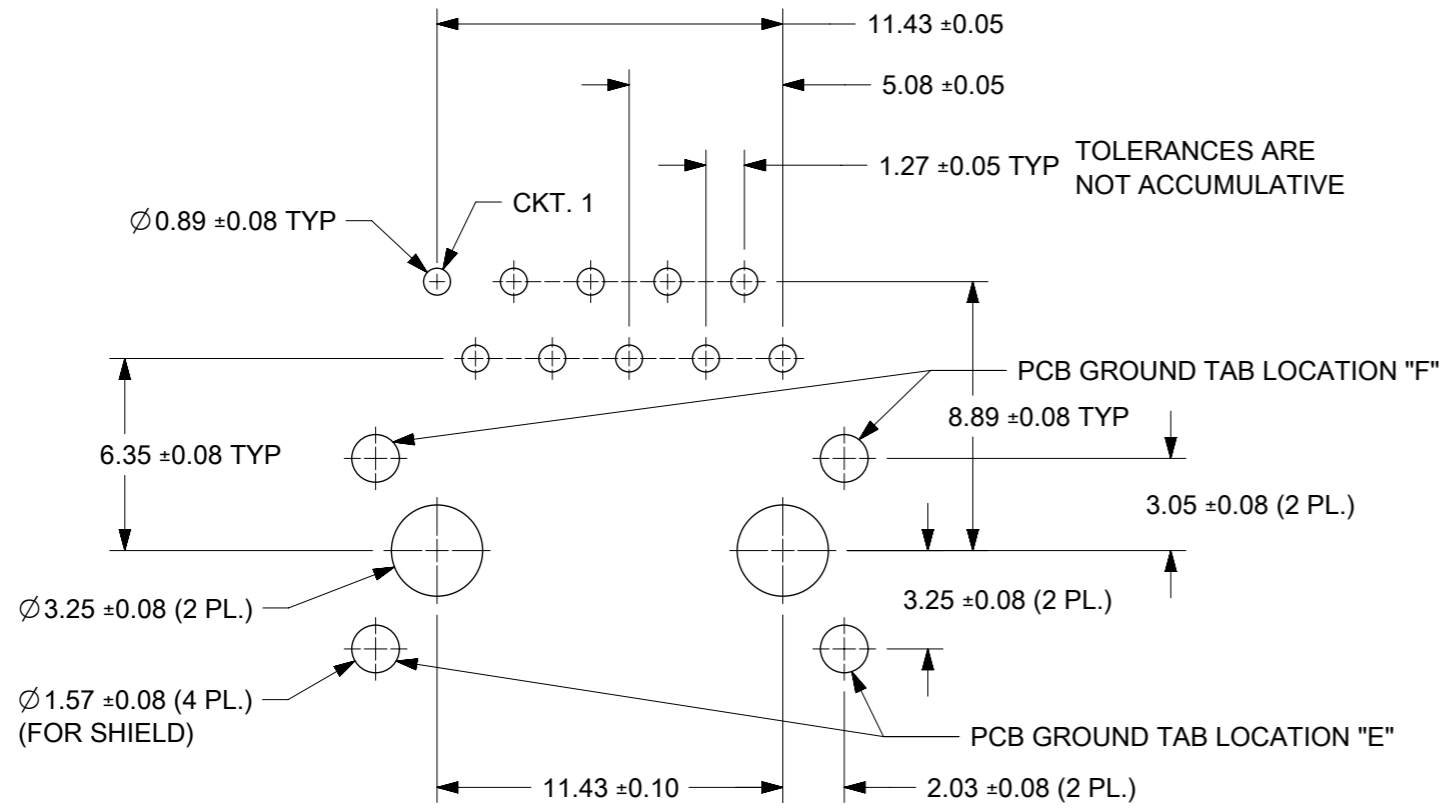
FLUSH MOUNT (UNSHIELDED)				
"X"=NOT TOOLED	ASSEMBLY ITEM NUMBER	CONNECTOR SIZE	NUMBER OF CIRCUITS	TERMINAL PLATING OPTION
X	43249-8001	8	10	A
	43249-8004	8	8	A
X	43249-8010	8	6	A
	43249-6001	6	6	A
X	43249-6004	6	4	A
X	43249-6007	6	2	A

FLANGELESS (UNSHIELDED)				
"X"=NOT TOOLED	ASSEMBLY ITEM NUMBER	CONNECTOR SIZE	NUMBER OF CIRCUITS	TERMINAL PLATING OPTION
X	43249-8101	8	10	A
X	43249-8102	8	10	B
	43249-8104	8	8	A
X	43249-8105	8	8	B
X	43249-8116	8	6	A
X	43249-8119	8	4	A
	43249-6101	6	6	A
	43249-6104	6	4	A
X	43249-6107	6	2	A

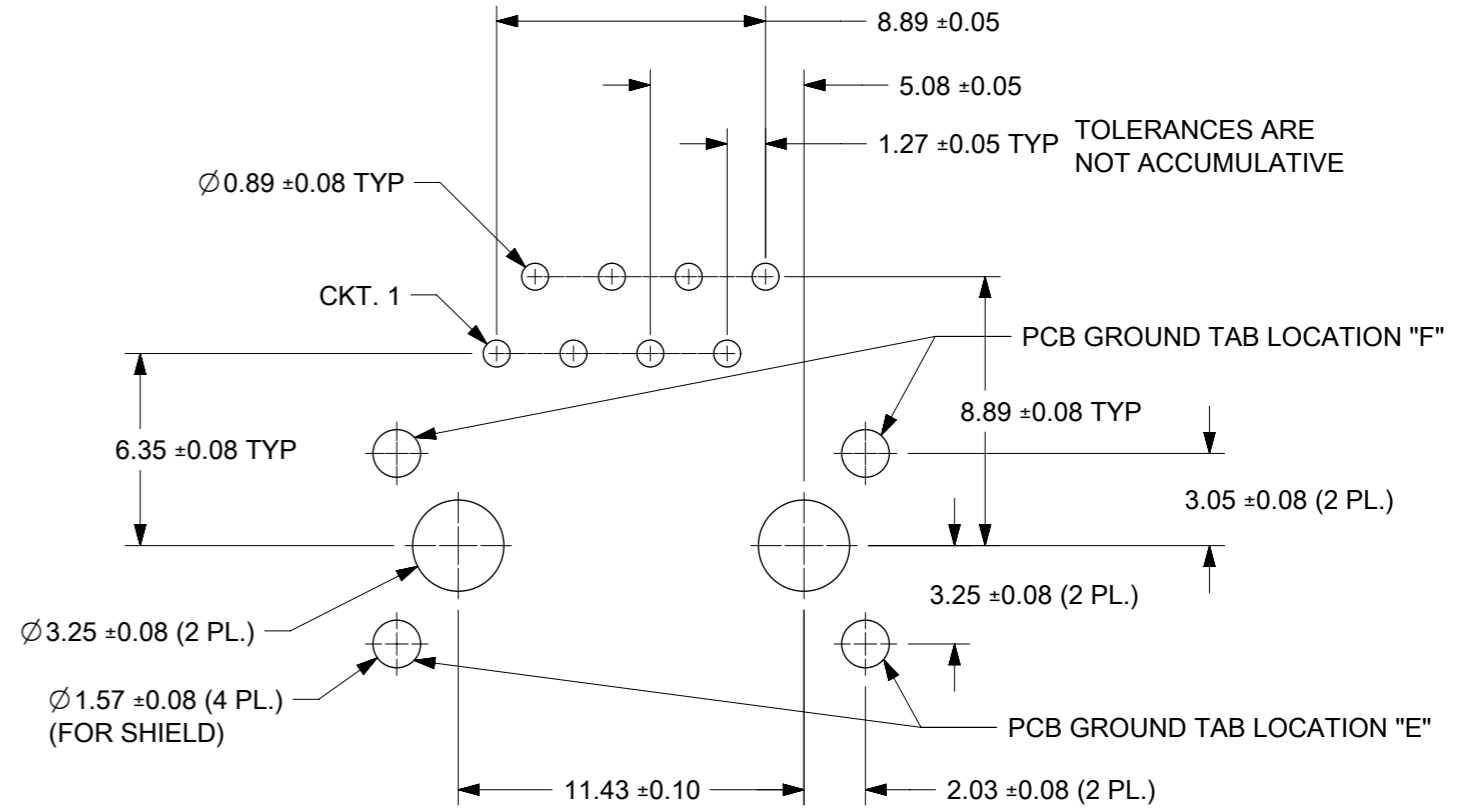
FLANGELESS (UNSHIELDED) (SHIPPED IN TUBES)				
"X"=NOT TOOLED	ASSEMBLY ITEM NUMBER	CONNECTOR SIZE	NUMBER OF CIRCUITS	TERMINAL PLATING OPTION
X	43249-6501	6	6	A
X	43249-6504	6	4	A

SHIELDED, 0.18mm THICK							
"X"=NOT TOOLED	ASSEMBLY ITEM NUMBER	CONNECTOR SIZE	NUMBER OF CIRCUITS	TERMINAL PLATING OPTION	SIDE/TOP PANEL GROUND TAB OPTION	PCB GROUND TAB OPTION	PACKAGING OPTION
	43249-8900	8	10	A	A	E	TRAY
X	43249-8901	8	10	A	B	E	TRAY
X	43249-8902	8	10	A	C	E	TRAY
X	43249-8903	8	10	A	D	E	TRAY
	43249-8908	8	10	A	A	F	TRAY
	43249-8909	8	10	A	B	F	TRAY
X	43249-8910	8	10	A	C	F	TRAY
	43249-8911	8	10	A	D	F	TRAY
	43249-8916	8	8	A	A	E	TRAY
	43249-8917	8	8	A	B	E	TRAY
X	43249-8918	8	8	A	C	E	TRAY
	43249-8919	8	8	A	D	E	TRAY
X	43249-8920	8	8	B	A	E	TRAY
	43249-8924	8	8	A	A	F	TRAY
X	43249-8925	8	8	A	B	F	TRAY
X	43249-8926	8	8	A	C	F	TRAY
	43249-8927	8	8	A	D	F	TRAY

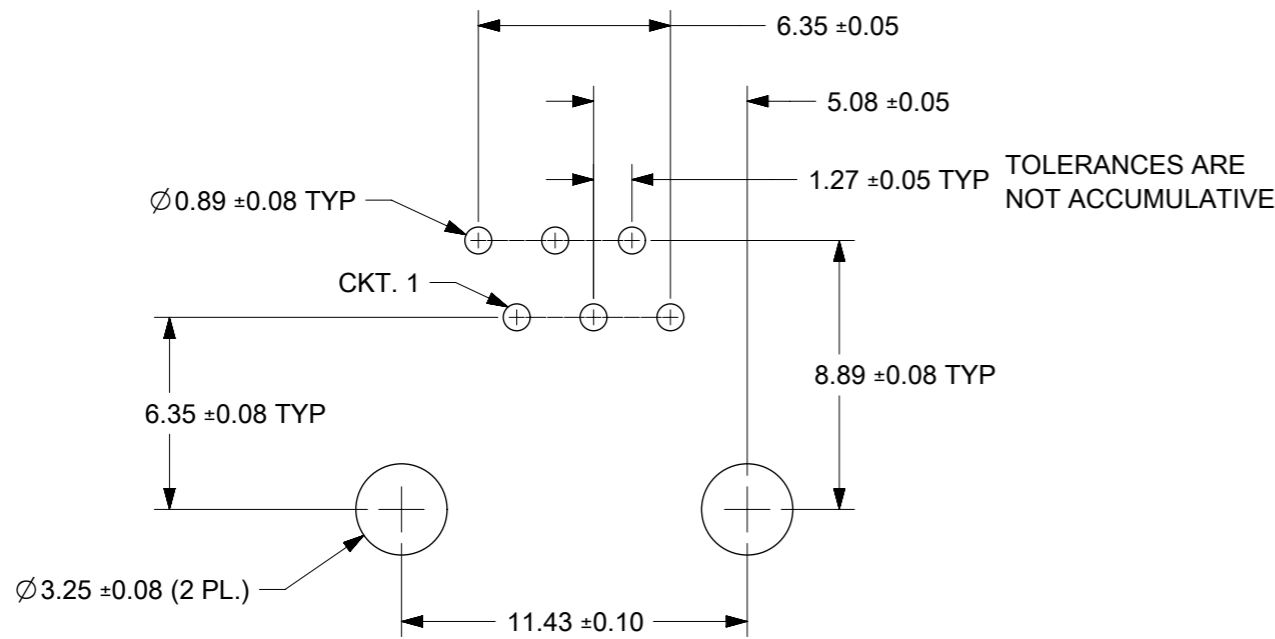
<b>FUNCTIONAL SYMBOLS</b>  = 0  = 0  = 0 <b>DIVISIONAL SYMBOLS</b>	THIS DRAWING CONTAINS INFORMATION THAT IS PROPRIETARY TO MOLEX ELECTRONIC TECHNOLOGIES, LLC AND SHOULD NOT BE USED WITHOUT WRITTEN PERMISSION DIMENSION UNITS: <b>mm</b>   SCALE: <b>1:1</b> GENERAL TOLERANCES (UNLESS SPECIFIED) ANGULAR TOL ± 0.5° 4 PLACES ± 3 PLACES ± 2 PLACES ± 0.25 1 PLACE ± 0 PLACES ± DRAFT WHERE APPLICABLE MUST REMAIN WITHIN DIMENSIONS	CURRENT REV DESC: MIGRATED TO NX EC NO: 705669 DRWN: KKUMARB   2020/07/07 CHK'D: KLANG   2022/05/23 APPR: KLANG   2022/05/23 INITIAL REVISION: DRWN: RFC_PLMIMP   2020/08/19 APPR: REDGLEY   2000/08/11	 LOW PROFILE RIGHT ANGLE MODULAR JACK ASSEMBLY PRODUCT CUSTOMER DRAWING
	DOCUMENT NUMBER: <b>SDA-43249</b>   DOC TYPE: PSD   DOC PART: 001   REVISION: K3		SHEET NUMBER: 4 OF 6
	THIRD ANGLE PROJECTION: 	DRAWING: <b>A3-SIZE</b>   SERIES: <b>43249</b>	MATERIAL NUMBER: SEE CHART   CUSTOMER: GENERAL MARKET



**PC BOARD LAYOUT FOR SIZE 8, 10 CIRCUIT**  
(COMPONENT SIDE OF BOARD)



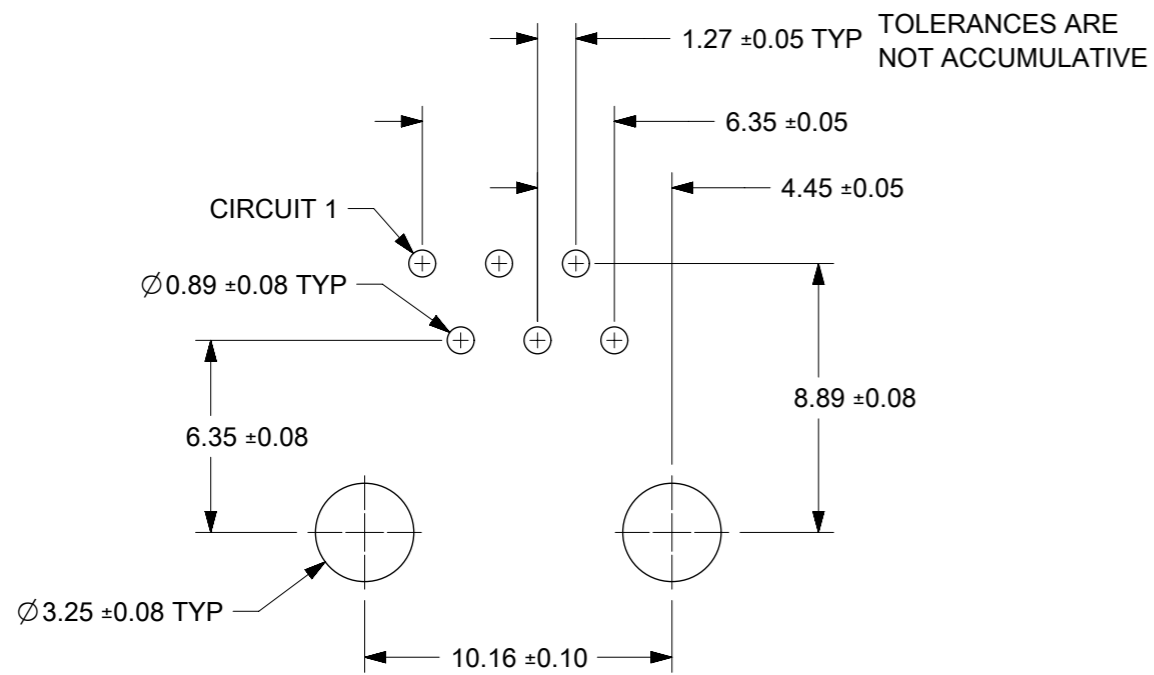
**PC BOARD LAYOUT FOR SIZE 8, 8 CIRCUIT**  
(COMPONENT SIDE OF BOARD)



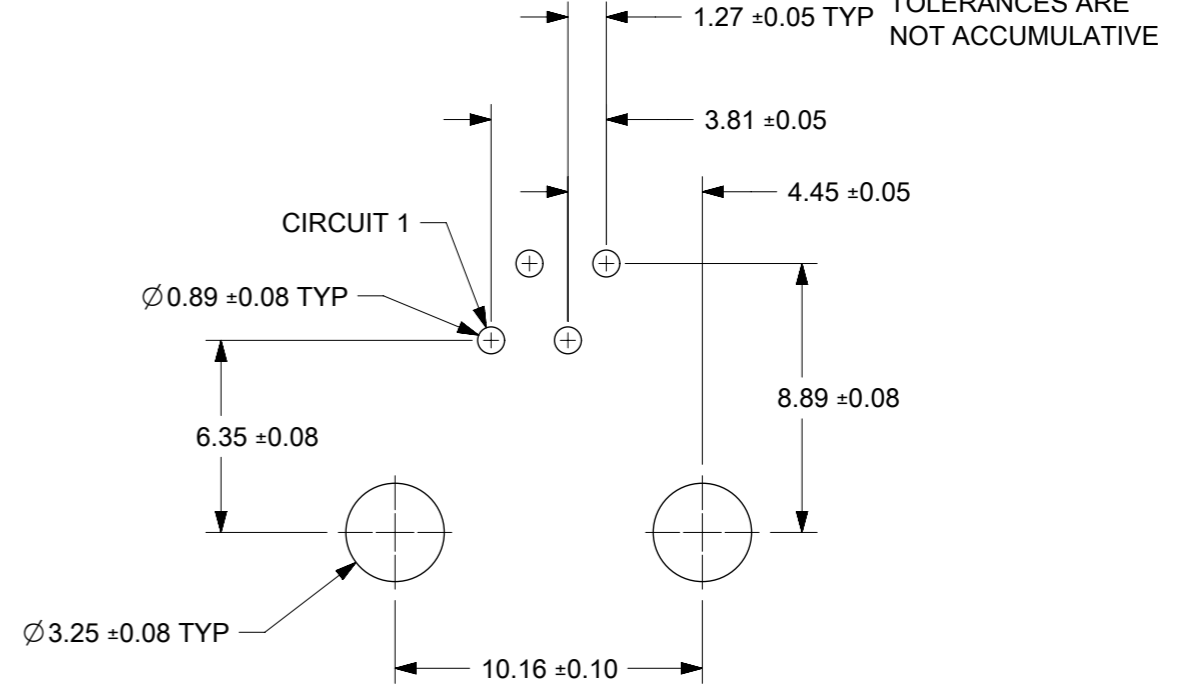
**PC BOARD LAYOUT FOR SIZE 8, 6 CIRCUIT**  
(COMPONENT SIDE OF BOARD)

NOTES:  
1. RECOMMENDED PCB THICKNESS: 1.57±0.13 mm.

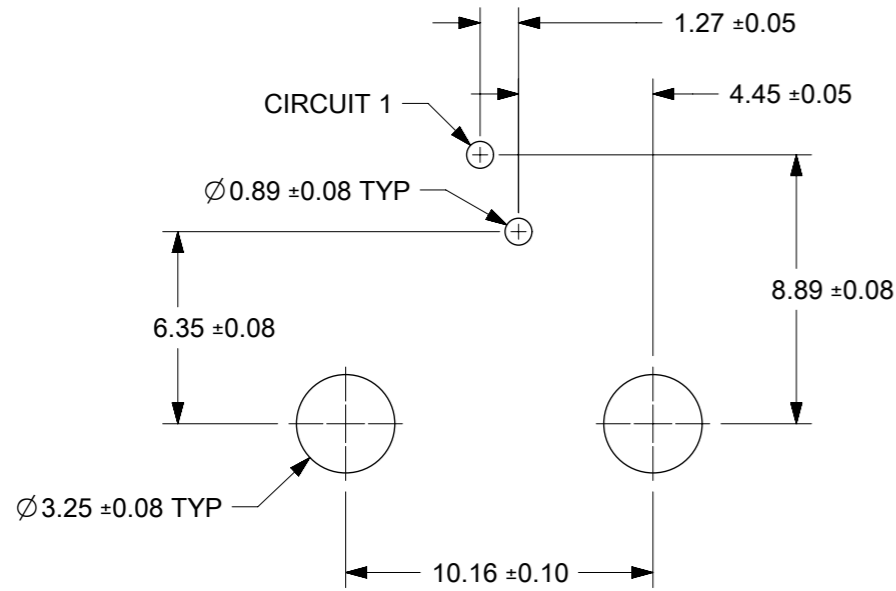
FUNCTIONAL SYMBOLS	THIS DRAWING CONTAINS INFORMATION THAT IS PROPRIETARY TO MOLEX ELECTRONIC TECHNOLOGIES, LLC AND SHOULD NOT BE USED WITHOUT WRITTEN PERMISSION		CURRENT REV DESC: MIGRATED TO NX		<b>molex</b>				
	FUNCTIONAL SYMBOLS	THIS DRAWING CONTAINS INFORMATION THAT IS PROPRIETARY TO MOLEX ELECTRONIC TECHNOLOGIES, LLC AND SHOULD NOT BE USED WITHOUT WRITTEN PERMISSION	CURRENT REV DESC: MIGRATED TO NX	CURRENT REV DESC: MIGRATED TO NX			LOW PROFILE RIGHT ANGLE MODULAR JACK ASSEMBLY		
FUNCTIONAL SYMBOLS	GENERAL TOLERANCES (UNLESS SPECIFIED)	ANGULAR TOL ± 0.5°	EC NO: 705669	DRWN: KKUMARB	2020/07/07	PRODUCT CUSTOMER DRAWING			
FUNCTIONAL SYMBOLS	GENERAL TOLERANCES (UNLESS SPECIFIED)	ANGULAR TOL ± 0.5°	DRWN: KKUMARB	CHK'D: KLANG	2022/05/23		PRODUCT CUSTOMER DRAWING		
DIVISIONAL SYMBOLS	4 PLACES ±	2 PLACES ± 0.25	APP'R: KLANG	2022/05/23	INITIAL REVISION:	DOCUMENT NUMBER		DOC TYPE	DOC PART
DIVISIONAL SYMBOLS	3 PLACES ±	1 PLACE ±	0 PLACES ±	DRWN: RFC_PLMIMP	2020/08/19	SDA-43249	PSD	001	K3
DIVISIONAL SYMBOLS	DRAFT WHERE APPLICABLE MUST REMAIN WITHIN DIMENSIONS	THIRD ANGLE PROJECTION	DRAWING	SERIES	MATERIAL NUMBER	CUSTOMER	SHEET NUMBER		
DIVISIONAL SYMBOLS	DRAFT WHERE APPLICABLE MUST REMAIN WITHIN DIMENSIONS	THIRD ANGLE PROJECTION	A3-SIZE	43249	SEE SHEET 4	GENERAL MARKET	5 OF 6		



**PC BOARD LAYOUT FOR SIZE 6, 6 CIRCUIT**  
(COMPONENT SIDE OF BOARD)



**PC BOARD LAYOUT FOR SIZE 6, 4 CIRCUIT**  
(COMPONENT SIDE OF BOARD)



**PC BOARD LAYOUT FOR SIZE 6, 2 CIRCUIT**  
(COMPONENT SIDE OF BOARD)

NOTES:  
1. RECOMMENDED PCB THICKNESS: 1.57±0.13 mm.

FUNCTIONAL SYMBOLS	THIS DRAWING CONTAINS INFORMATION THAT IS PROPRIETARY TO MOLEX ELECTRONIC TECHNOLOGIES, LLC AND SHOULD NOT BE USED WITHOUT WRITTEN PERMISSION		CURRENT REV DESC: MIGRATED TO NX			<b>molex</b>		
	△/A = 0	mm						
DIVISIONAL SYMBOLS	GENERAL TOLERANCES (UNLESS SPECIFIED)		EC NO: 705669			LOW PROFILE RIGHT ANGLE MODULAR JACK ASSEMBLY		
	△/E = 0	ANGULAR TOL ± 0.5°	DRWN: KKUMARB 2020/07/07			PRODUCT CUSTOMER DRAWING		
DIVISIONAL SYMBOLS	△/F = 0	4 PLACES ±	CHK'D: KLANG 2022/05/23			DOCUMENT NUMBER		
	△/G = 0	3 PLACES ±	APPR: KLANG 2022/05/23			SDA-43249		
	△/H = 0	2 PLACES ± 0.25	INITIAL REVISION:			DOC TYPE DOC PART REVISION		
	△/I = 0	1 PLACE ±	DRWN: RFC_PLMIMP 2020/08/19			PSD 001 K3		
DRAFT WHERE APPLICABLE MUST REMAIN WITHIN DIMENSIONS		THIRD ANGLE PROJECTION	DRAWING	SERIES	MATERIAL NUMBER	CUSTOMER	SHEET NUMBER	
			A3-SIZE	43249	SEE SHEET 4	GENERAL MARKET	6 OF 6	