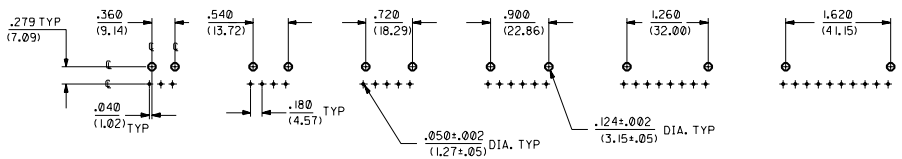
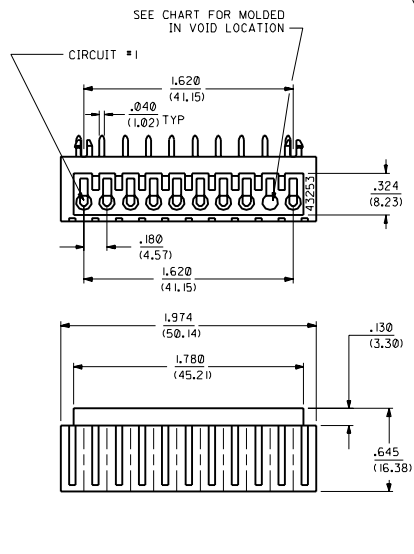


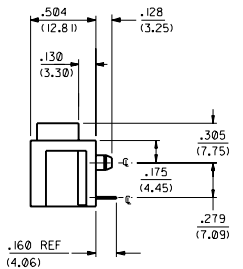
NOTES:

1. FOR USE WITH 16 AWG SOLID & 18 AWG SOLID OR STRANDED WIRE WITH TIN TOP COAT OR 20AWG STRANDED WIRE WITH TIN TOP COAT. INSULATION O.D., .079/.118.
2. SUGGESTED STRIP LENGTH OF MATED WIRE TO BE WITHIN .320-.380 LONG.
3. FOR PRODUCT SPECIFICATIONS SEE PS-42732.



P.C. BOARD LAYOUT; COMPONENT SIDE
RECOMMENDED PCB THICKNESS: .062 ± .005

43254-0061	6	2,4
43254-0101	10	2,4,7,9
43254-0031	3	2
43254-0100	10	NONE
43254-0080	8	NONE
43254-0060	6	NONE
43254-0050	5	NONE
43254-0040	4	NONE
43254-0030	3	NONE
ITEM NO.	CKT. SIZE	MOLDED VOIDS



C	UPDATE PER ICR 093-0339 98-8-10 SAMEC	BI	ADD MAJ QTY ECR U61402 4-29-96 SAMEC	REVISIONS	REVISIONS	DIMENSIONS SHOWN IN PARENTHESIS UNLESS OTHERWISE SPECIFIED		TITLE: WIRE TRAP ASSEMBLY SHEET NO. 1 OF 1 DATE: 3/16/93 MOLEX INCORPORATED SEE CHART SDA-43254
B3	REL 0061 ECR U70496 96/10/29 SAMEC	B	ADD GAGE PRINT MATCH PART ECR U60923 3-10-95 SAMEC	REVISIONS	REVISIONS	DIM. EDGLEY APP'D: LENZ CH'D: LENZ BY: LENZ SCALE: 1:1	REVISIONS LTR. REVISIONS LTR. REVISIONS	
B2	A/R 0181 ECR U61440 5-17-96 SAMEC	A	REV'D DIMS & FINAL RELEASE ECR U48144 8/17/94 RE	REVISIONS	REVISIONS	DIMENSIONS APPLICABLE UNLESS SHOWN OTHERWISE DIM. EDGLEY APP'D: LENZ CH'D: LENZ BY: LENZ SCALE: 1:1	REVISIONS LTR. REVISIONS LTR. REVISIONS	

43254
D
C
B
A