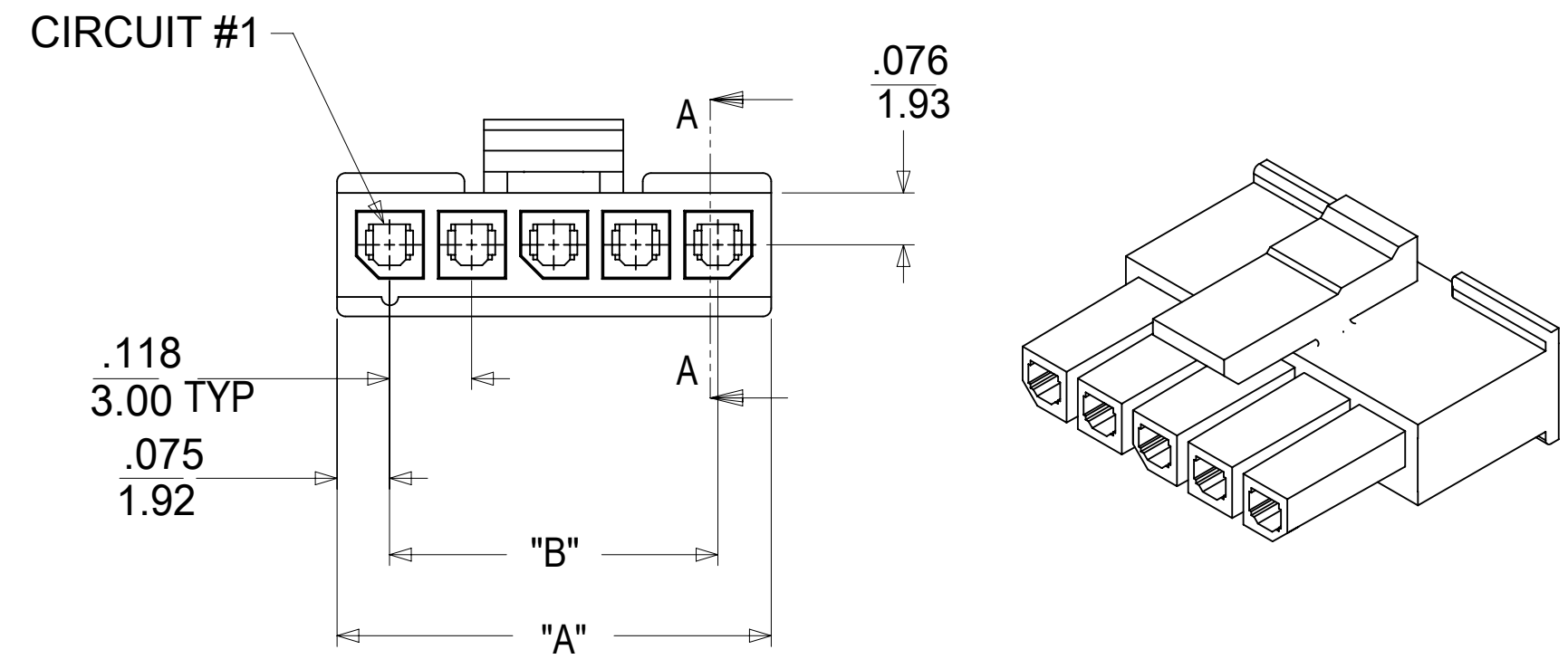
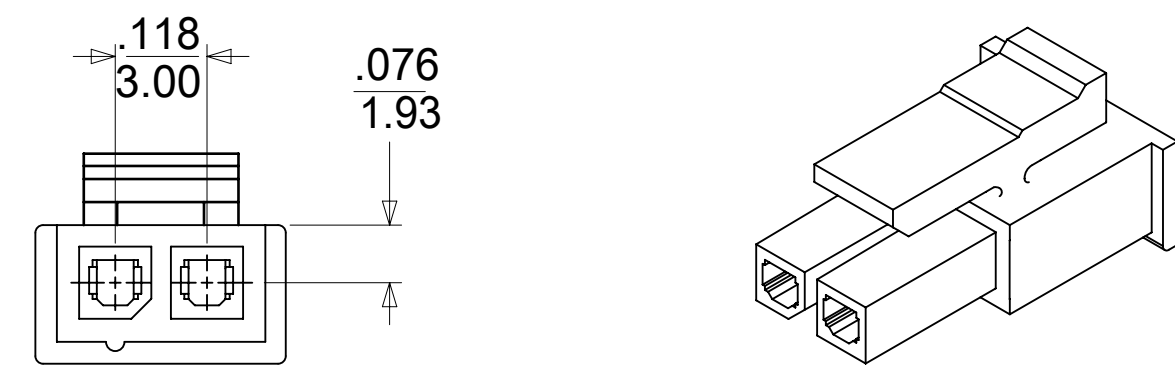
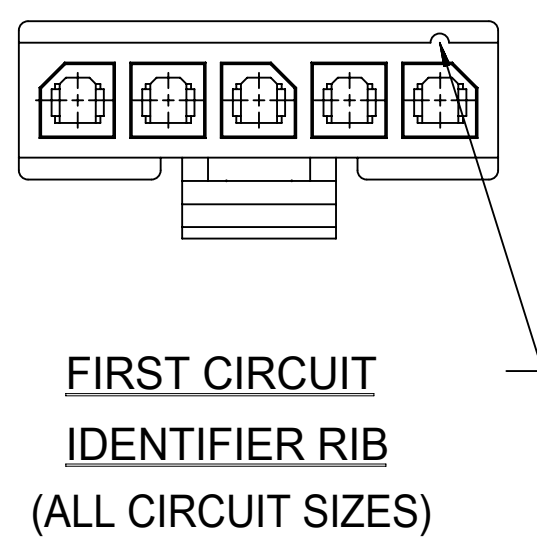


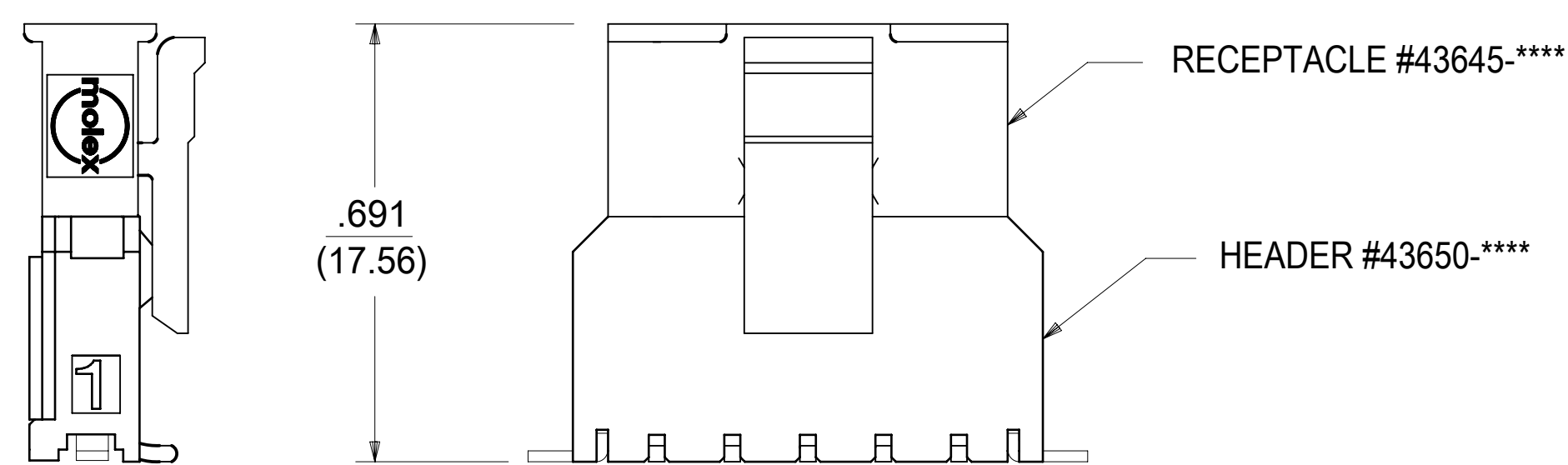
NOT RELEASED	ITEM NUMBER	NUMBER OF CIRCUIT	DIM. "A"	DIM. "B"
	43645-0208	02	SEE DETAIL	.118/(3.00)
	43645-0308	03	.388/(9.85)	.236/(6.00)
	43645-0408	04	.506/(12.85)	.354/(9.00)
	43645-0508	05	.624/(15.85)	.472/(12.00)
	43645-0608	06	.742/(18.85)	.591/(15.00)
X		07	.860/(21.85)	.709/(18.00)
X		08	.978/(24.85)	.827/(21.00)
X		09	1.096/(27.85)	.945/(24.00)
X		10	1.215/(30.85)	1.063/(27.00)
X		11	1.333/(33.85)	1.181/(30.00)
	43645-1208	12	1.451/(36.85)	1.299/(33.00)



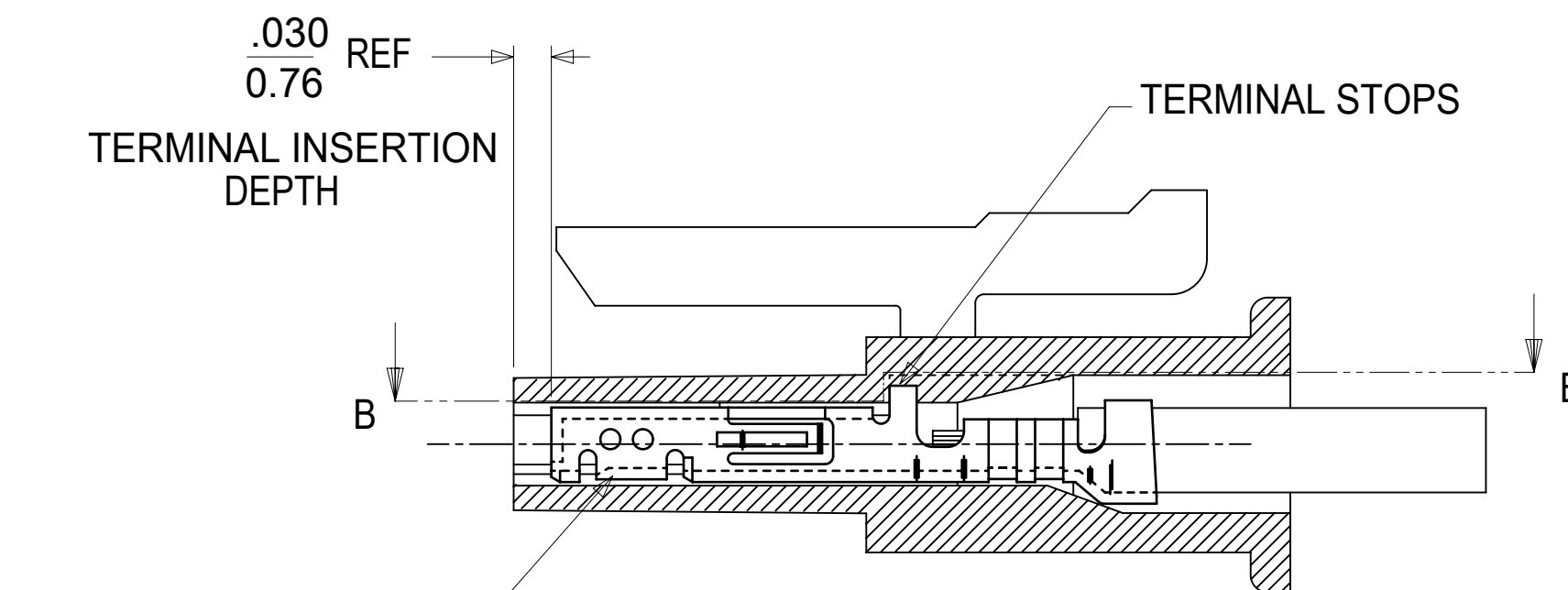
(3-12 CIRCUIT HOUSING)



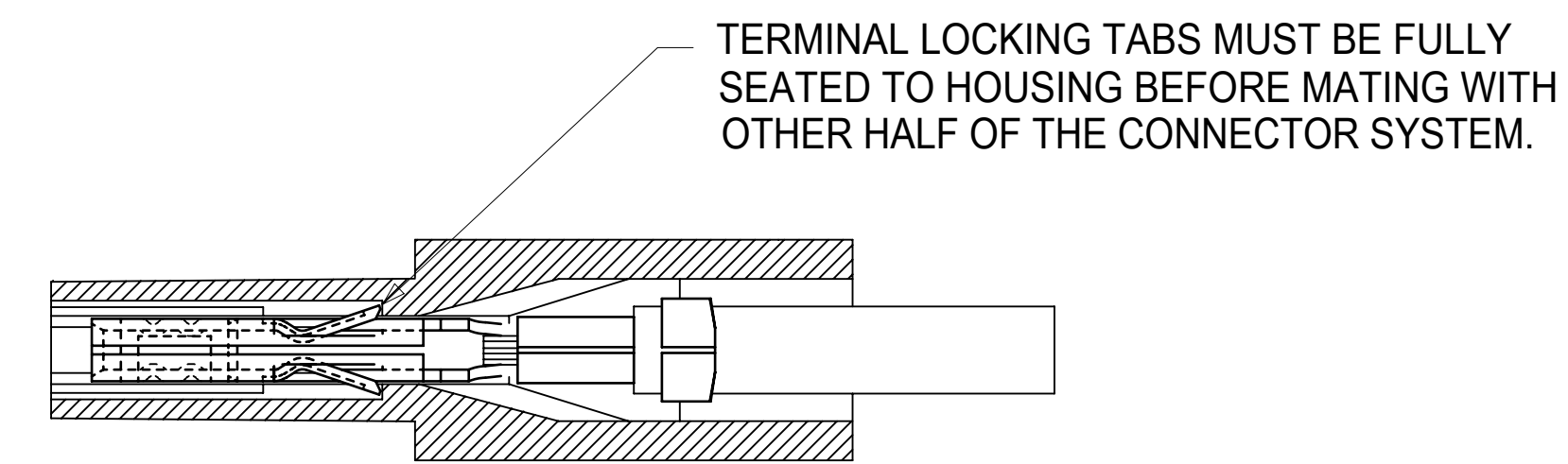
(2 CIRCUIT HOUSING)



MATED MICRO-FIT CONNECTOR

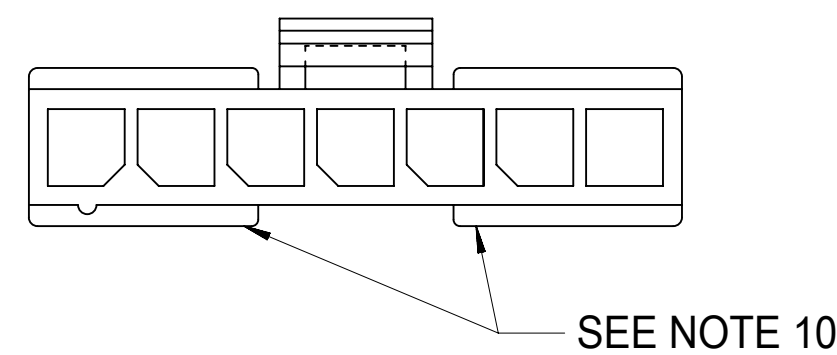


SECTION "A"-A"  
SHOWN WITH TERMINAL INSTALLED



SECTION "B"-B"

- NOTES:
- MATERIAL: UNFILLED NYLON, UL94V-0, COLOR - BLACK (LOW HALOGEN)
  - FINISH : N/A
  - PRODUCT SPECIFICATION : PS-43650
  - PACKAGING SPECIFICATION: PK-43645-001
  - THIS RECEPTACLE ACCEPTS MOLEX MICRO FIT FEMALE CRIMP TERMINALS SERIES 43030 OR 46235. SEE SECTION "A"-A" FOR TERMINAL ORIENTATION IN HOUSING.
  - FOR OVERMOLDING PARAMETERS SEE APPLICATION SPECIFICATION 430250000-AS.
  - THIS RECEPTACLE MATES WITH MOLEX PCB HEADER 43650 SERIES AND MOLEX PLUG 43640 SERIES (WIRE TO WIRE APPLICATIONS).
  - SOME HOUSINGS MAY HAVE A SMALL GATE BLEMISH NEAR THE GATE LOCATION THAT DOES NOT AFFECT FUNCTIONALITY.
  - MOLEX RECOMMENDS THE USE OF MICRO-FIT TEST PLUG, SERIES 44242-\*\*\*\* WHENEVER CONTINUITY TESTING IS PERFORMED. TEST PLUGS MUST NOT BE USED TO MAKE OR BREAK UNDER LOAD. MOLEX DOES NOT RECOMMEND USING STANDARD MATING COMPONENTS FOR HARNESS TESTING PURPOSES.
  - THIS RIB IS DISCONTINUOUS ON CIRCUIT SIZES 7 THROUGH 12
  - THIS PART CONFORMS TO CLASS 'B' REQUIREMENTS OF COSMETIC SPECIFICATION PS-45499-002.
  - TEXT ON PART IS FOR REFERENCE ONLY. TEXT AND TEXT LOCATION MAY VARY DEPENDING ON PART NUMBER AND/OR TOOL.



FUNCTIONAL SYMBOLS $F_A = 0$ $F_C = 0$ $F_P = 0$ DIVISIONAL SYMBOLS	THIS DRAWING CONTAINS INFORMATION THAT IS PROPRIETARY TO MOLEX ELECTRONIC TECHNOLOGIES, LLC AND SHOULD NOT BE USED WITHOUT WRITTEN PERMISSION		CURRENT REV DESC: 43645-1208 TOOLED				
	DIMENSION UNITS	SCALE	<p>MICRO-FIT (3.0) RECEPTACLE, LOW HALOGEN SINGLE ROW, 2 THRU 12 CIRCUIT</p> <p>PRODUCT CUSTOMER DRAWING</p>				
	INCH/MM	NTS					
	GENERAL TOLERANCES (UNLESS SPECIFIED)						
		MM				INCH	
4 PLACES	±	±					
3 PLACES	±	± 0.01					
2 PLACES	±	± 0.014					
1 PLACE	±	± 0.35					
0 PLACES	±	±					
ANGULAR TOL		± 0.5°					
DRAFT WHERE APPLICABLE MUST REMAIN WITHIN DIMENSIONS		THIRD ANGLE PROJECTION	DRAWING	SERIES	MATERIAL NUMBER	CUSTOMER	SHEET NUMBER
			D-SIZE	43645	SEE CHART	GENERAL MARKET	1 OF 1