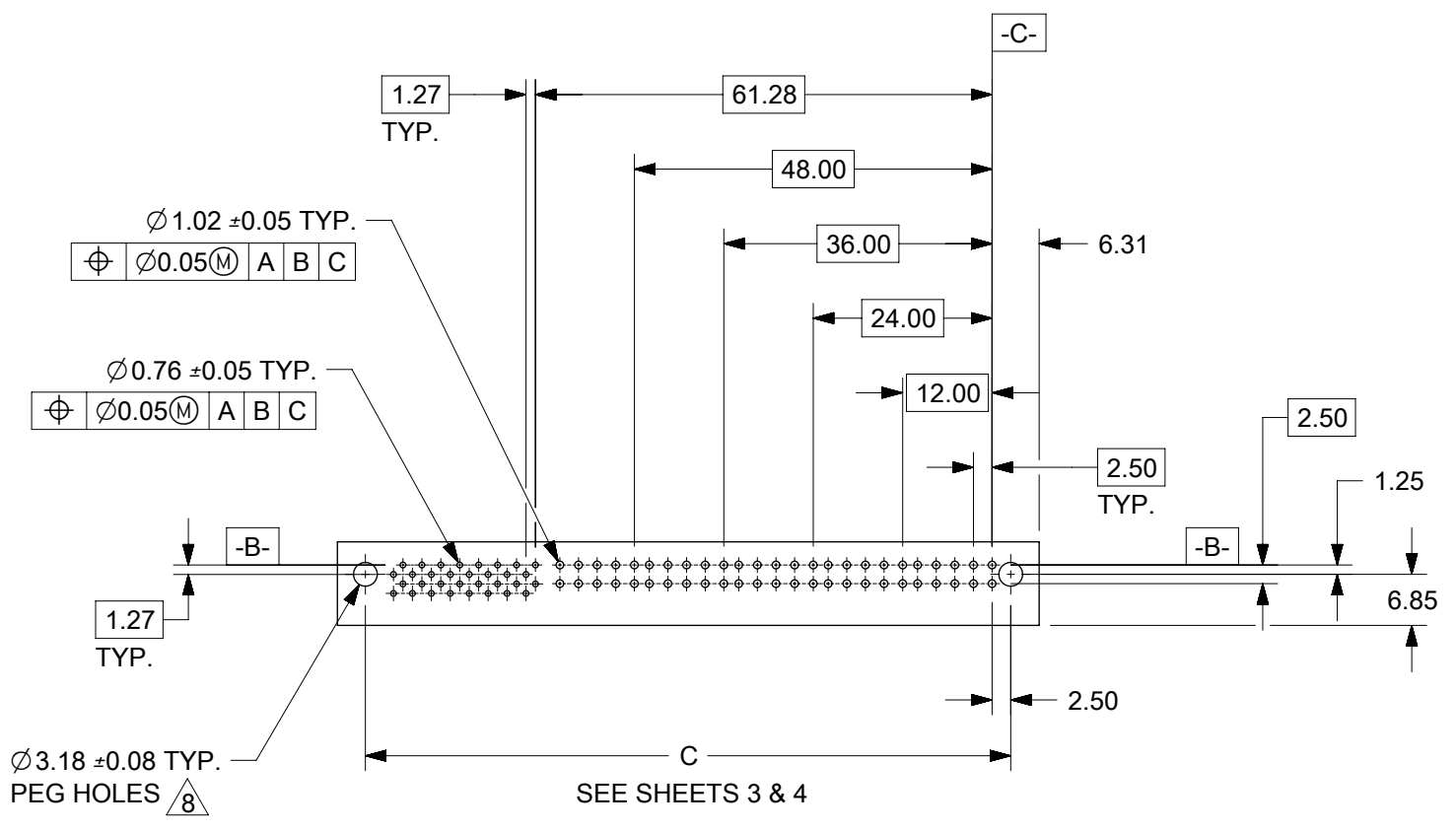
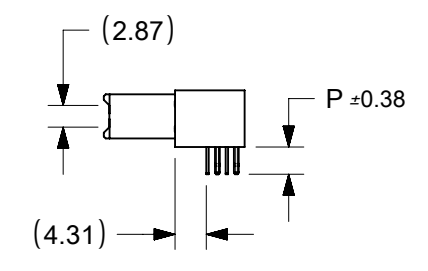
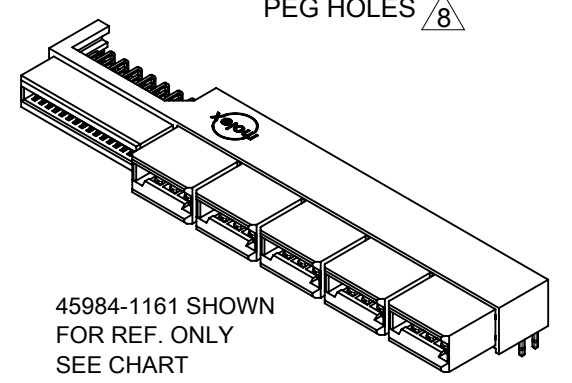


- NOTES:
1. MATERIAL HOUSING: GLASS FILLED LCP (LIQUID CRYSTAL POLYMER), 94V-0, COLOR-BLACK.
CONTACT: COPPER ALLOY.
 2. FINISH: SELECT GOLD - .76 MICROMETERS/30 MICROINCHES MINIMUM CONTACT.
SELECT TIN - 3.81 MICROMETERS/150 MICROINCHES MINIMUM TAIL.
BOTH OVER NICKEL - 1.27 MICROMETERS/50 MICROINCHES MINIMUM.
 3. POWER TERMINALS LUBRICATED IN CONTACT AREA.
 4. PRODUCT SPECIFICATION: PS-45984-001.
 5. PACKAGING: TRAY PER PK-45984-001.
 6. SEE SHEET 5 FOR CKT IDENTIFICATION.
 7. PARTS ARE RoHS COMPLIANT.
 8. PEG HOLES ARE OPTIONAL.
 9. MATES TO 1.57/.062 CARD EDGE OR MOLEX P/N 45985-1***



PCB LAYOUT: COMPONENT SIDE
PEG HOLES OPTIONAL



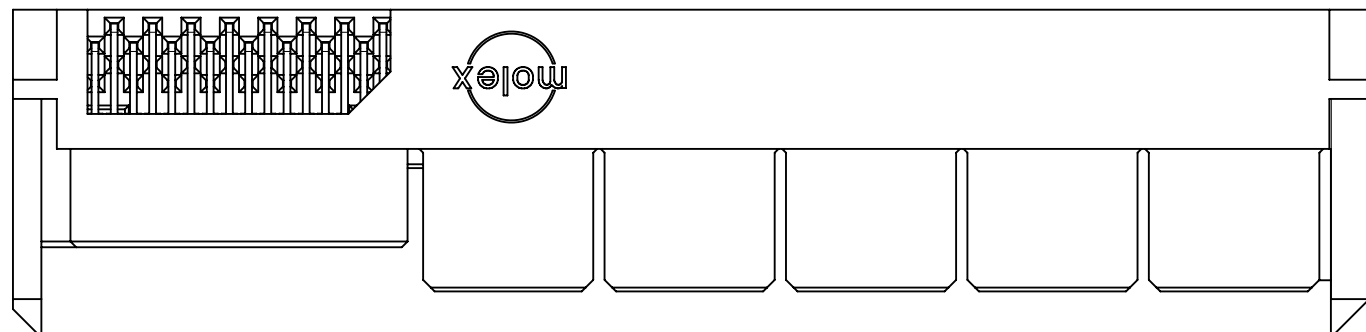
45984-1161 SHOWN FOR REF. ONLY SEE CHART

NO. OF SIGNAL	MATERIAL NUMBER	DIM. A	DIM. P	PCB THK
12	45984-1111	71.5	4.50	3.18
16	45984-1121	74.0		
20	45984-1131	76.6		
24	45984-1141	79.1		
28	45984-1151	81.6		
32	45984-1161	84.2	3.60	2.36
36	45984-1171	86.7		
40	45984-1181	89.3		
12	45984-1112	71.5		
16	45984-1122	74.0		
20	45984-1132	76.6	2.90	1.57
24	45984-1142	79.1		
28	45984-1152	81.6		
32	45984-1162	84.2		
36	45984-1172	86.7		
40	45984-1182	89.3		
12	45984-1113	71.5	2.90	1.57
16	45984-1123	74.0		
20	45984-1133	76.6		
24	45984-1143	79.1		
28	45984-1153	81.6		
32	45984-1163	84.2	2.90	1.57
36	45984-1173	86.7		
40	45984-1183	89.3		

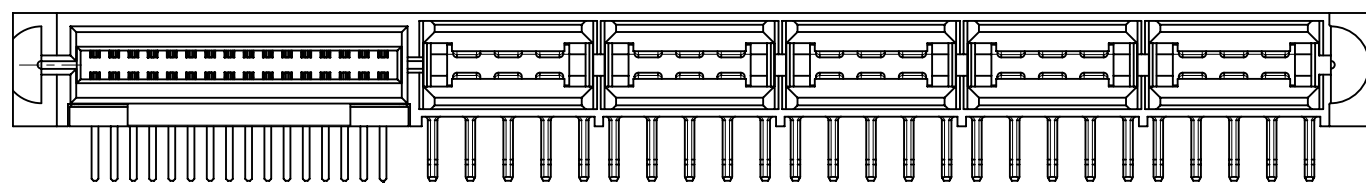
THIS DRAWING CONTAINS INFORMATION THAT IS PROPRIETARY TO MOLEX ELECTRONIC TECHNOLOGIES, LLC AND SHOULD NOT BE USED WITHOUT WRITTEN PERMISSION

DIMENSION UNITS mm	SCALE 1:1	CURRENT REV DESC: RE-MASTERED IN ECTR	molex		
GENERAL TOLERANCES (UNLESS SPECIFIED)		EC NO: 601373			
4 PLACES ±	MM INCH	DRWN: MUM 2017/06/05	PRODUCT CUSTOMER DRAWING		
3 PLACES ±		CHK'D: RMV02 2019/04/26	DOCUMENT NUMBER		
2 PLACES ± 0.25 ±		APPR: NCSR 2019/05/28	SD-45984-100		
1 PLACE ± 0.38 ±		INITIAL REVISION:	DOC TYPE	DOC PART	REVISION
0 PLACES ±		DRWN: SAMIEC 2005/05/13	PSD	001	J
ANGULAR TOL ± 0.5°		APPR: MARGULIS 2005/05/13	SHEET NUMBER		
DRAFT WHERE APPLICABLE MUST REMAIN WITHIN DIMENSIONS	THIRD ANGLE PROJECTION	DRAWING	SERIES	MATERIAL NUMBER	CUSTOMER
		A3-SIZE	45984	SEE CHART	GENERAL MARKET

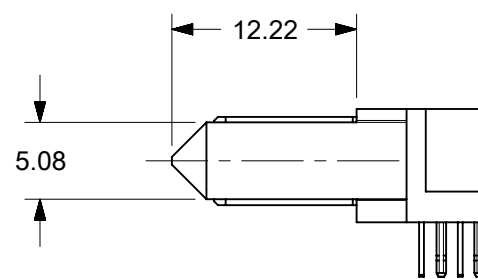
2.90 A 2.73



OPTIONAL GUIDES
SEE CHART

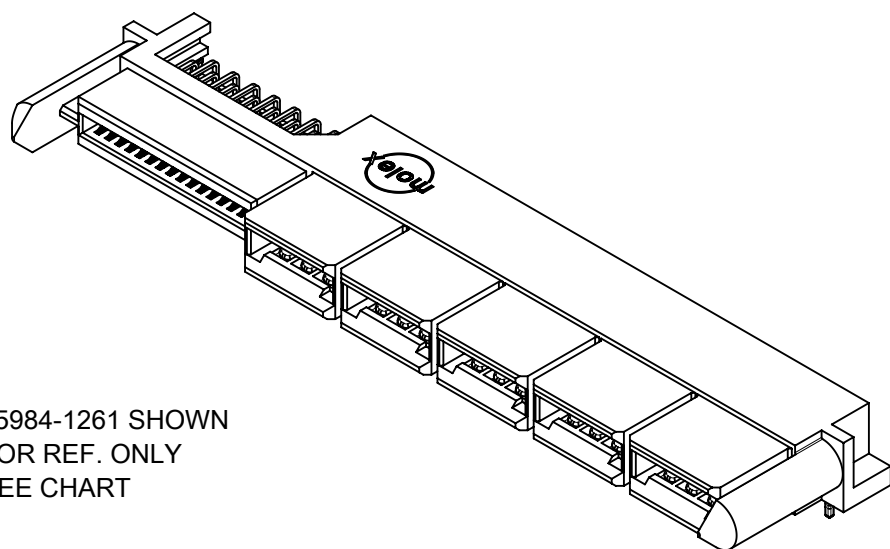


NO. OF SIGNALS
OPTIONAL
SEE CHART



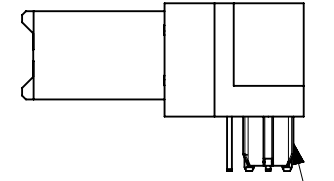
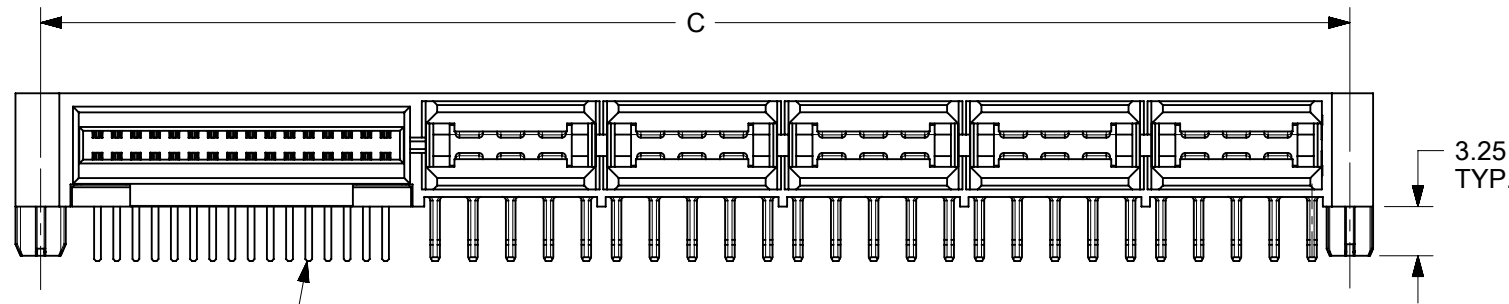
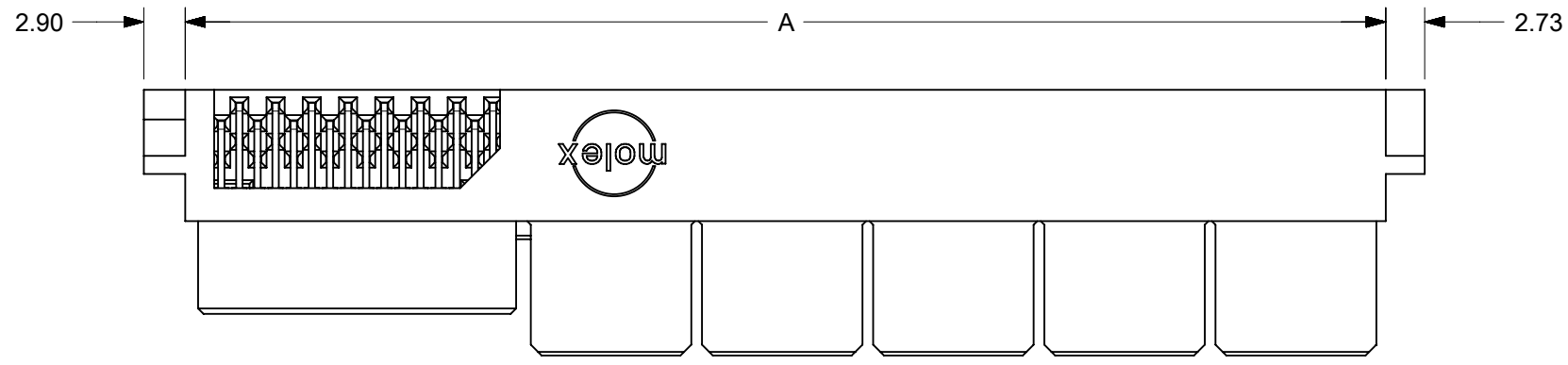
GUIDE POST OPTIONS

NO. OF SIGNAL	MATERIAL NUMBER	DIM. A	DIM. P	PCB THK
12	45984-1211	71.5	4.50	3.18
16	45984-1221	74.0		
20	45984-1231	76.6		
24	45984-1241	79.1		
28	45984-1251	81.6		
32	45984-1261	84.2		
36	45984-1271	86.7		
40	45984-1281	89.3	3.60	2.36
12	45984-1212	71.5		
16	45984-1222	74.0		
20	45984-1232	76.6		
24	45984-1242	79.1		
28	45984-1252	81.6		
32	45984-1262	84.2		
36	45984-1272	86.7		
40	45984-1282	89.3	2.90	1.57
12	45984-1213	71.5		
16	45984-1223	74.0		
20	45984-1233	76.6		
24	45984-1243	79.1		
28	45984-1253	81.6		
32	45984-1263	84.2		
36	45984-1273	86.7		
40	45984-1283	89.3		



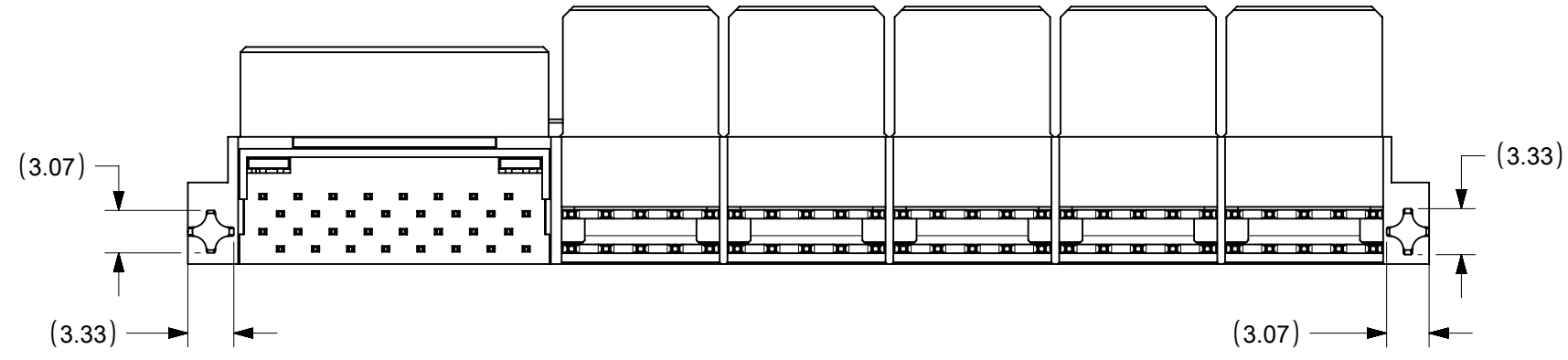
45984-1261 SHOWN
FOR REF. ONLY
SEE CHART

THIS DRAWING CONTAINS INFORMATION THAT IS PROPRIETARY TO MOLEX ELECTRONIC TECHNOLOGIES, LLC AND SHOULD NOT BE USED WITHOUT WRITTEN PERMISSION									
DIMENSION UNITS		SCALE		CURRENT REV DESC: RE-MASTERED IN ECTR					
mm		2:1							
GENERAL TOLERANCES (UNLESS SPECIFIED)				EC NO: 601373		DRW: MUM		2017/06/05	
				CHK'D: RMV02		2019/04/26			
4 PLACES ±				APPR: NCSR		2019/05/28			
3 PLACES ±				INITIAL REVISION:		DRWN: SAMIEC		2005/05/13	
2 PLACES ± 0.25				APPR: MARGULIS		2005/05/13			
1 PLACE ± 0.38				DRAFT WHERE APPLICABLE MUST REMAIN WITHIN DIMENSIONS		THIRD ANGLE PROJECTION		DRAWING	
0 PLACES ±				ANGULAR TOL ± 0.5°		A3-SIZE		SERIES	
DOCUMENT NUMBER		DOC TYPE		DOC PART		REVISION			
SD-45984-100		PSD		001		J			
MATERIAL NUMBER		CUSTOMER		SHEET NUMBER					
SEE CHART		GENERAL MARKET		2 OF 5					

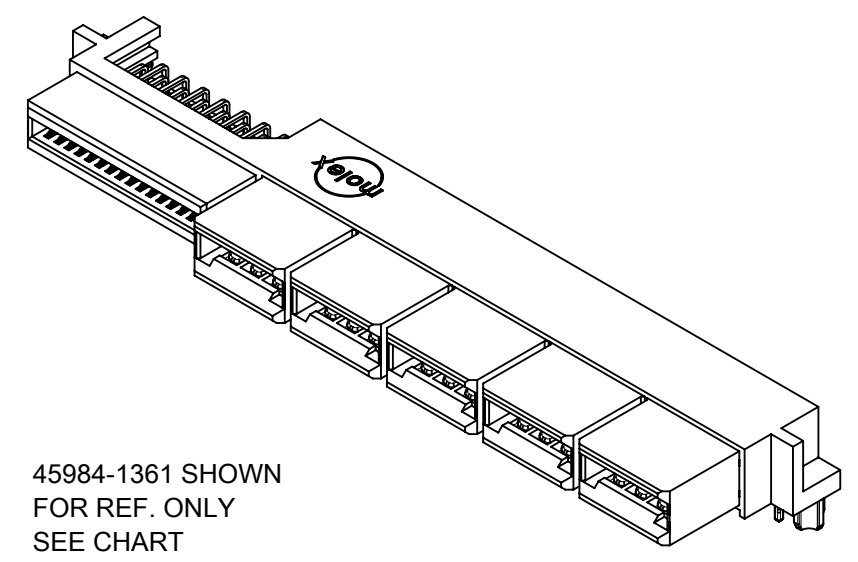


NO. OF SIGNALS
OPTIONAL
SEE CHART

OPTIONAL PEGS



MOUNTING PEG OPTIONS

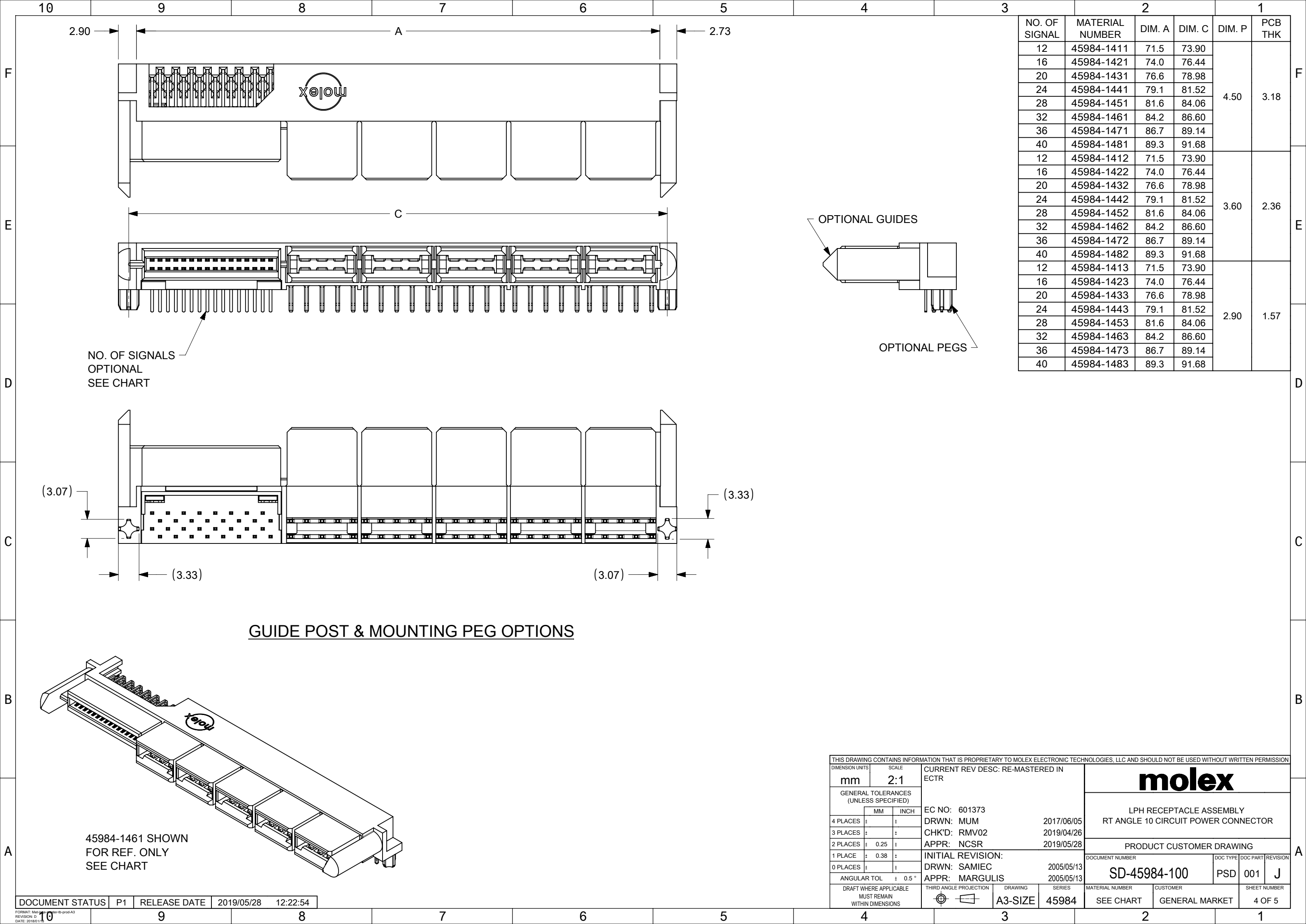


45984-1361 SHOWN
FOR REF. ONLY
SEE CHART

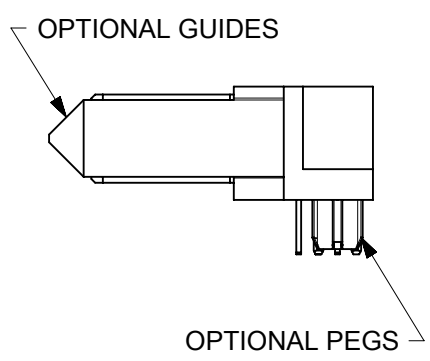
NO. OF SIGNAL	MATERIAL NUMBER	DIM. A	DIM. C	DIM. P	PCB THK
12	45984-1311	71.5	73.90	4.50	3.18
16	45984-1321	74.0	76.44		
20	45984-1331	76.6	78.98		
24	45984-1341	79.1	81.52		
28	45984-1351	81.6	84.06		
32	45984-1361	84.2	86.60		
36	45984-1371	86.7	89.14		
40	45984-1381	89.3	91.68		
12	45984-1312	71.5	73.90	3.60	2.36
16	45984-1322	74.0	76.44		
20	45984-1332	76.6	78.98		
24	45984-1342	79.1	81.52		
28	45984-1352	81.6	84.06		
32	45984-1362	84.2	86.60		
36	45984-1372	86.7	89.14		
40	45984-1382	89.3	91.68		
12	45984-1313	71.5	73.90	2.90	1.57
16	45984-1323	74.0	76.44		
20	45984-1333	76.6	78.98		
24	45984-1343	79.1	81.52		
28	45984-1353	81.6	84.06		
32	45984-1363	84.2	86.60		
36	45984-1373	86.7	89.14		
40	45984-1383	89.3	91.68		

THIS DRAWING CONTAINS INFORMATION THAT IS PROPRIETARY TO MOLEX ELECTRONIC TECHNOLOGIES, LLC AND SHOULD NOT BE USED WITHOUT WRITTEN PERMISSION

DIMENSION UNITS mm	SCALE 2:1	CURRENT REV DESC: RE-MASTERED IN ECTR		molex		
GENERAL TOLERANCES (UNLESS SPECIFIED)		EC NO: 601373				
4 PLACES ±	MM INCH	DRWN: MUM	2017/06/05	PRODUCT CUSTOMER DRAWING		
3 PLACES ±		CHK'D: RMV02	2019/04/26	DOCUMENT NUMBER		
2 PLACES ± 0.25		APPR: NCSR	2019/05/28	SD-45984-100		
1 PLACE ± 0.38		INITIAL REVISION:		DOC TYPE	DOC PART	REVISION
0 PLACES ±		DRWN: SAMIEC	2005/05/13	PSD	001	J
ANGULAR TOL ± 0.5°		APPR: MARGULIS	2005/05/13	SHEET NUMBER		
DRAFT WHERE APPLICABLE MUST REMAIN WITHIN DIMENSIONS	THIRD ANGLE PROJECTION	DRAWING	SERIES	MATERIAL NUMBER	CUSTOMER	
		A3-SIZE	45984	SEE CHART	GENERAL MARKET	3 OF 5

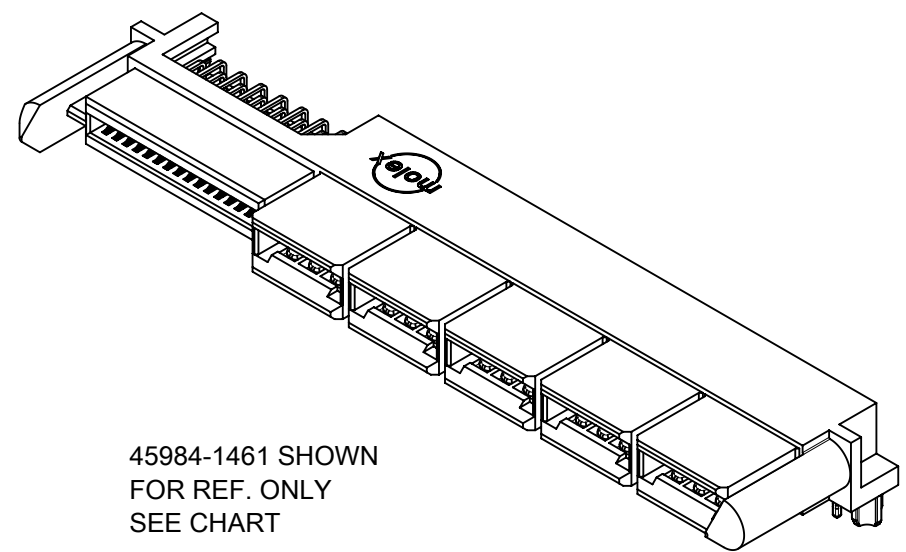
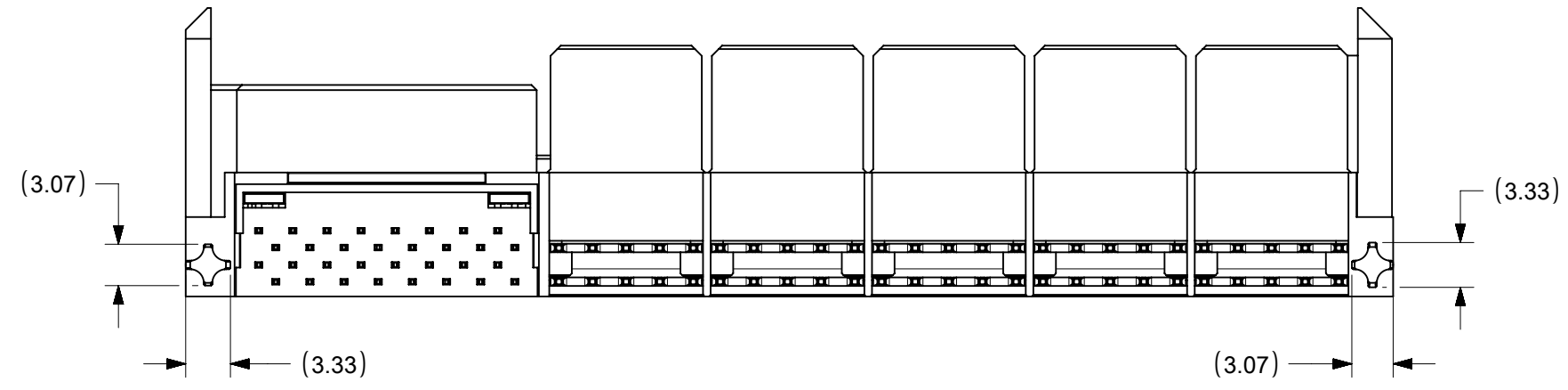


NO. OF SIGNAL	MATERIAL NUMBER	DIM. A	DIM. C	DIM. P	PCB THK
12	45984-1411	71.5	73.90	4.50	3.18
16	45984-1421	74.0	76.44		
20	45984-1431	76.6	78.98		
24	45984-1441	79.1	81.52		
28	45984-1451	81.6	84.06		
32	45984-1461	84.2	86.60		
36	45984-1471	86.7	89.14	3.60	2.36
40	45984-1481	89.3	91.68		
12	45984-1412	71.5	73.90		
16	45984-1422	74.0	76.44		
20	45984-1432	76.6	78.98		
24	45984-1442	79.1	81.52		
28	45984-1452	81.6	84.06		
32	45984-1462	84.2	86.60		
36	45984-1472	86.7	89.14	2.90	1.57
40	45984-1482	89.3	91.68		
12	45984-1413	71.5	73.90		
16	45984-1423	74.0	76.44		
20	45984-1433	76.6	78.98		
24	45984-1443	79.1	81.52		
28	45984-1453	81.6	84.06		
32	45984-1463	84.2	86.60		
36	45984-1473	86.7	89.14		
40	45984-1483	89.3	91.68		



NO. OF SIGNALS
OPTIONAL
SEE CHART

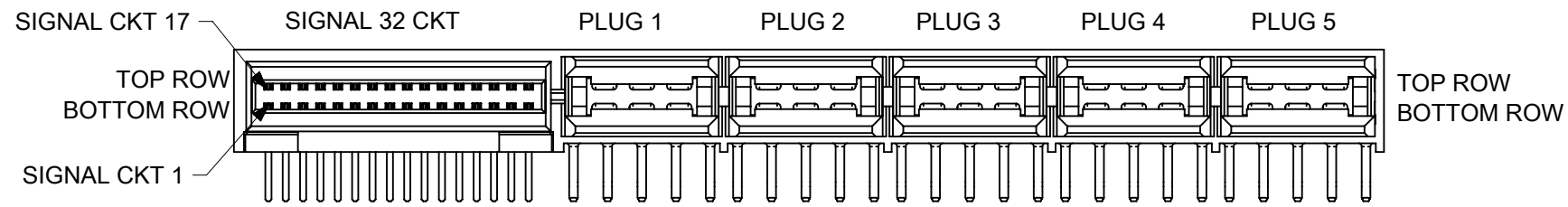
GUIDE POST & MOUNTING PEG OPTIONS



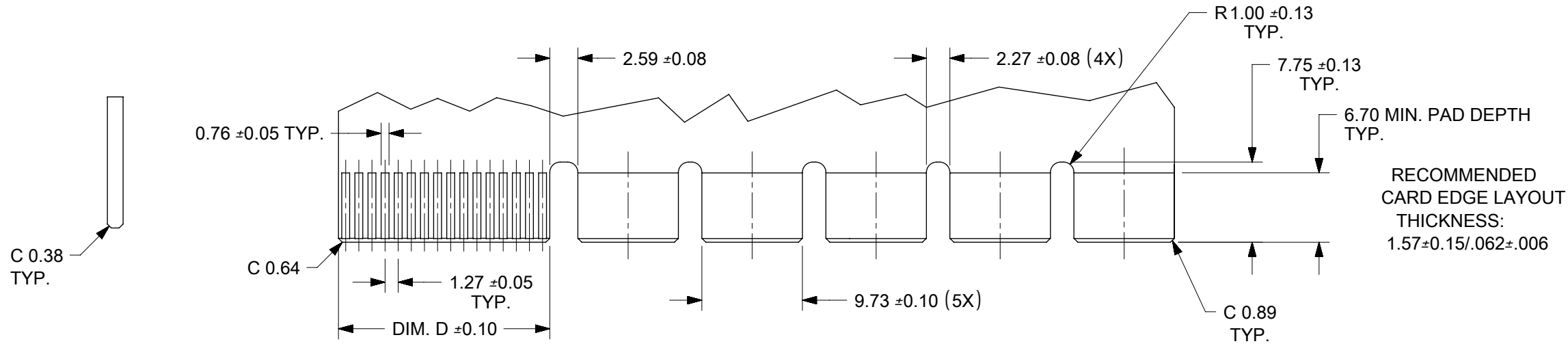
45984-1461 SHOWN
FOR REF. ONLY
SEE CHART

THIS DRAWING CONTAINS INFORMATION THAT IS PROPRIETARY TO MOLEX ELECTRONIC TECHNOLOGIES, LLC AND SHOULD NOT BE USED WITHOUT WRITTEN PERMISSION

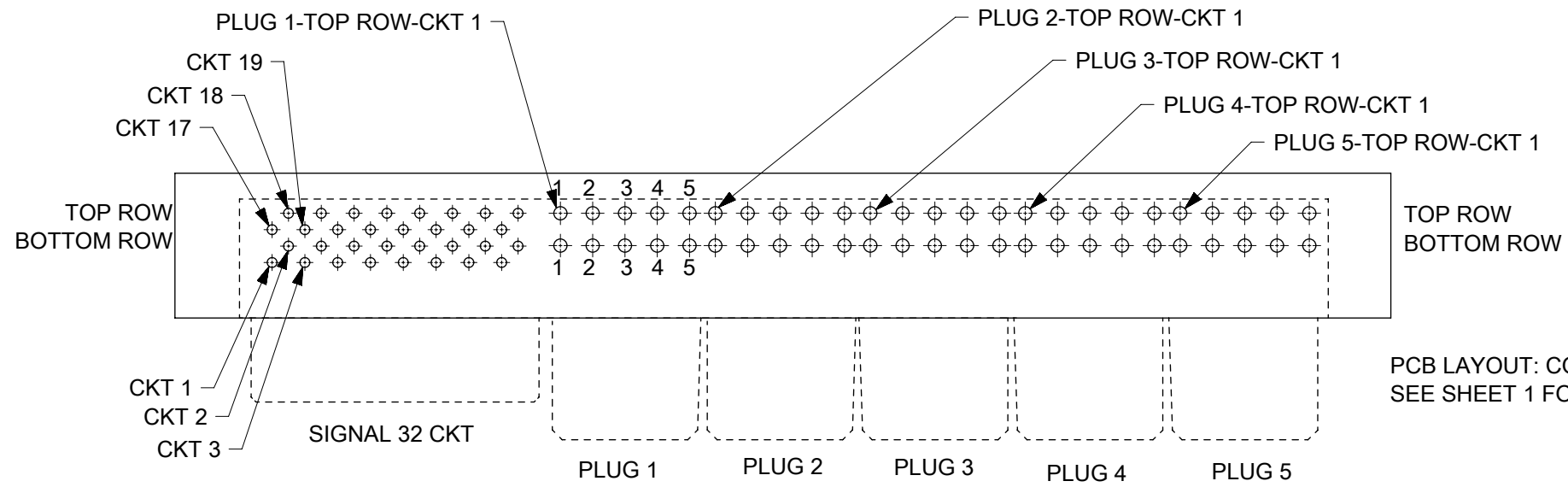
DIMENSION UNITS	SCALE	CURRENT REV DESC: RE-MASTERED IN ECTR		molex		
mm	2:1					
GENERAL TOLERANCES (UNLESS SPECIFIED)		EC NO: 601373		LPH RECEPTACLE ASSEMBLY RT ANGLE 10 CIRCUIT POWER CONNECTOR		
		MM	INCH	PRODUCT CUSTOMER DRAWING		
4 PLACES	±	±	±	DOCUMENT NUMBER		
3 PLACES	±	±	±	DOC TYPE		
2 PLACES	± 0.25	±	±	DOC PART		
1 PLACE	± 0.38	±	±	REVISION		
0 PLACES	±	±	±	SD-45984-100		
ANGULAR TOL ± 0.5°		INITIAL REVISION:		PSD		
		DRWN: SAMIEC 2005/05/13		001		
		APPR: MARGULIS 2005/05/13		J		
DRAFT WHERE APPLICABLE MUST REMAIN WITHIN DIMENSIONS		THIRD ANGLE PROJECTION	DRAWING	SERIES	MATERIAL NUMBER	CUSTOMER
			A3-SIZE	45984	SEE CHART	GENERAL MARKET
						SHEET NUMBER
						4 OF 5



NO. OF SIGNAL	DIM. D
12	8.00
16	10.54
20	13.08
24	15.62
28	18.16
32	20.70
36	23.24
40	25.78



RECOMMENDED
CARD EDGE LAYOUT
THICKNESS:
1.57±0.15/.062±.006



PCB LAYOUT: COMPONENT SIDE
SEE SHEET 1 FOR DIMENSIONS.

THIS DRAWING CONTAINS INFORMATION THAT IS PROPRIETARY TO MOLEX ELECTRONIC TECHNOLOGIES, LLC AND SHOULD NOT BE USED WITHOUT WRITTEN PERMISSION

DIMENSION UNITS mm	SCALE 1:1	CURRENT REV DESC: RE-MASTERED IN ECTR	molex		
GENERAL TOLERANCES (UNLESS SPECIFIED)		EC NO: 601373			
4 PLACES ±	MM INCH	DRWN: MUM 2017/06/05	PRODUCT CUSTOMER DRAWING		
3 PLACES ±		CHK'D: RMV02 2019/04/26	DOCUMENT NUMBER		
2 PLACES ± 0.25 ±		APPR: NCSR 2019/05/28	SD-45984-100		
1 PLACE ± 0.38 ±		INITIAL REVISION:	DOC TYPE	DOC PART	REVISION
0 PLACES ±		DRWN: SAMIEC 2005/05/13	PSD	001	J
ANGULAR TOL ± 0.5°		APPR: MARGULIS 2005/05/13	SHEET NUMBER		
DRAFT WHERE APPLICABLE MUST REMAIN WITHIN DIMENSIONS	THIRD ANGLE PROJECTION	DRAWING	SERIES	MATERIAL NUMBER	CUSTOMER
		A3-SIZE	45984	SEE CHART	GENERAL MARKET